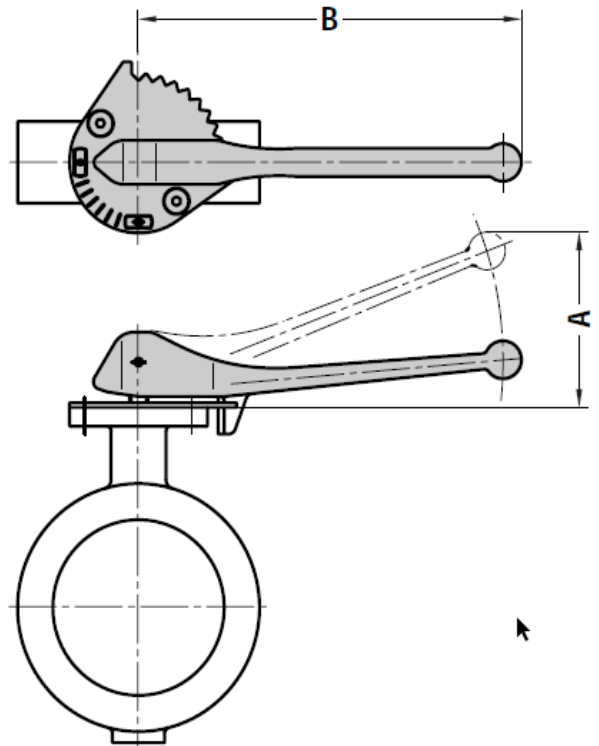


PRODUCT DATA	
General Description	WOUTER WITZEL LEVER Fits all Eurovalve butterfly valves up to and including DN 300.
Application	The lever is suitable for all general industrial applications.
Flange size range	F07 and F10
Stroke	0° to 90°

DESIGN FEATURES	
Lever material	Malleable Cast Iron with epoxy coating
Notch plate	Made of steel/Zn5C.
Notch plate features	10 positions incl. open and closed

OPTIONS (ON REQUEST)	
Padlock	Various padlock facilities
Limit switches	Various limit switches
Notch plate	Various materials for notch plates



Type	Suitable for EV butterfly Valve (DN)	Max. delta p. (Bar)	B	A	Gross weight (KG)
L1	50 ~ 80	16	250	112	1
L2	100 ~ 125	16	250	112	1
L3	150 ~ 200	16	315	121	1.4
L4	250 ~ 300	2.5	500	184	3.2



WORM GEARBOX

General description The Wouter Witzel EuroValve quarter turn worm gearboxes are very light weighted, but rugged industrial grade products, made of a high pressure casted aluminium housing. All models in this series feature high performance bearings and a powder coated finish.

PRODUCT DATA

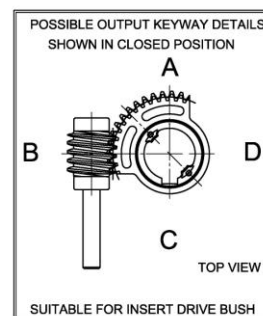
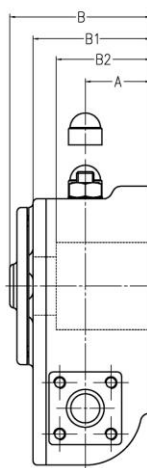
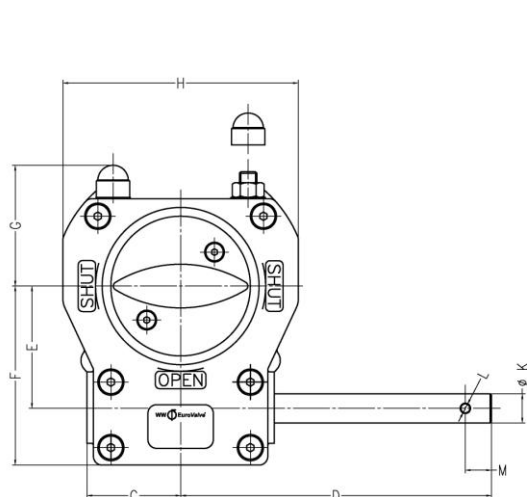
Application	The X-series is suitable for all general industrial applications.
Performance	The usage of high grade of materials provide a tough, reliable unit. Service life according to EN 1074
Torque range	Up to 600 Nm
Flange size range	F05 up to F12
Stroke	-5° to 95°
Enclosure	IP67 according to EN 60 529
Externa corrosion protection	Powder coated, color RAL 9005
Temperature range	-25° to +110°C
Operating element	Sheet steel pressed handwheel

FEATURES

Inputschaft	Stainless steel AISI 303
Fasteners	Stainless steel A4/70
Flanges	Standardized according to ISO 5211
Bearings	Axial needle bearings
Gasket	NBR 70
Position indicator	Polyamide
Drive bush	Insert system for flexibility
Threaded holes	Blind tapped

RANGE

Type	TtC	Torque [Nm]		Weight [Kg]	Valve attachment ISO 5211		Drive	
		Output	Input		Flange choice		Max. square [mm]	Max. bore [mm]
X-20	10	200	17	1.1	F05-N	F07-N	14	24
X-40	11	400	31	1.8	F07-N	F10-N	22	32
X-60	8.5	600	46	2.8	F10-N	F12-N	27	45



DIMENSION TABLE WORM GEARBOX [mm]

Type	A	B	B1	B2	C	D	D1	E	F	G	H	K	L	M
X-20	25.5	52	46.5	30.5	33.5	118	-	43.5	67.5	45	84	12	4	15
X-40	35.75	63.5	57	40	42	126.5	-	52.5	81.5	53	112	12	4	15
X-60	40	78	70	45	50	165	-	61.25	100	67.5	120	15	5	15

B1 = max. stem length
B2 = max. insert length

**WORM GEARBOX**

General description The Wouter Witzel EuroValve quarter turn worm gearboxes are rugged, industrial grade products, manufactured with grey cast iron (JL 1040) housing and components. All models in this series feature high performance bearings and powder coated finish.

PRODUCT DATA

Application The Q-series is suitable for all general industrial applications.

Performance The usage of high grade of materials provide a tough, reliable unit. Service life according to EN 1074

Torque range Up to 70.000 Nm

Flange size range F05 up to F48

Stroke -5° to 95°

Enclosure IP68-3 according to EN 60 529

Externa corrosion protection Powder coated, color RAL 9005

Temperature range -25° to +110°C

Operating element Steel welded handwheel

FEATURES

Inputschaft Stainless steel AISI 303

Fasteners Stainless steel A4/70

Flanges Standardized according to ISO 5211

Bearings Axial needle bearings

Gasket NBR 70

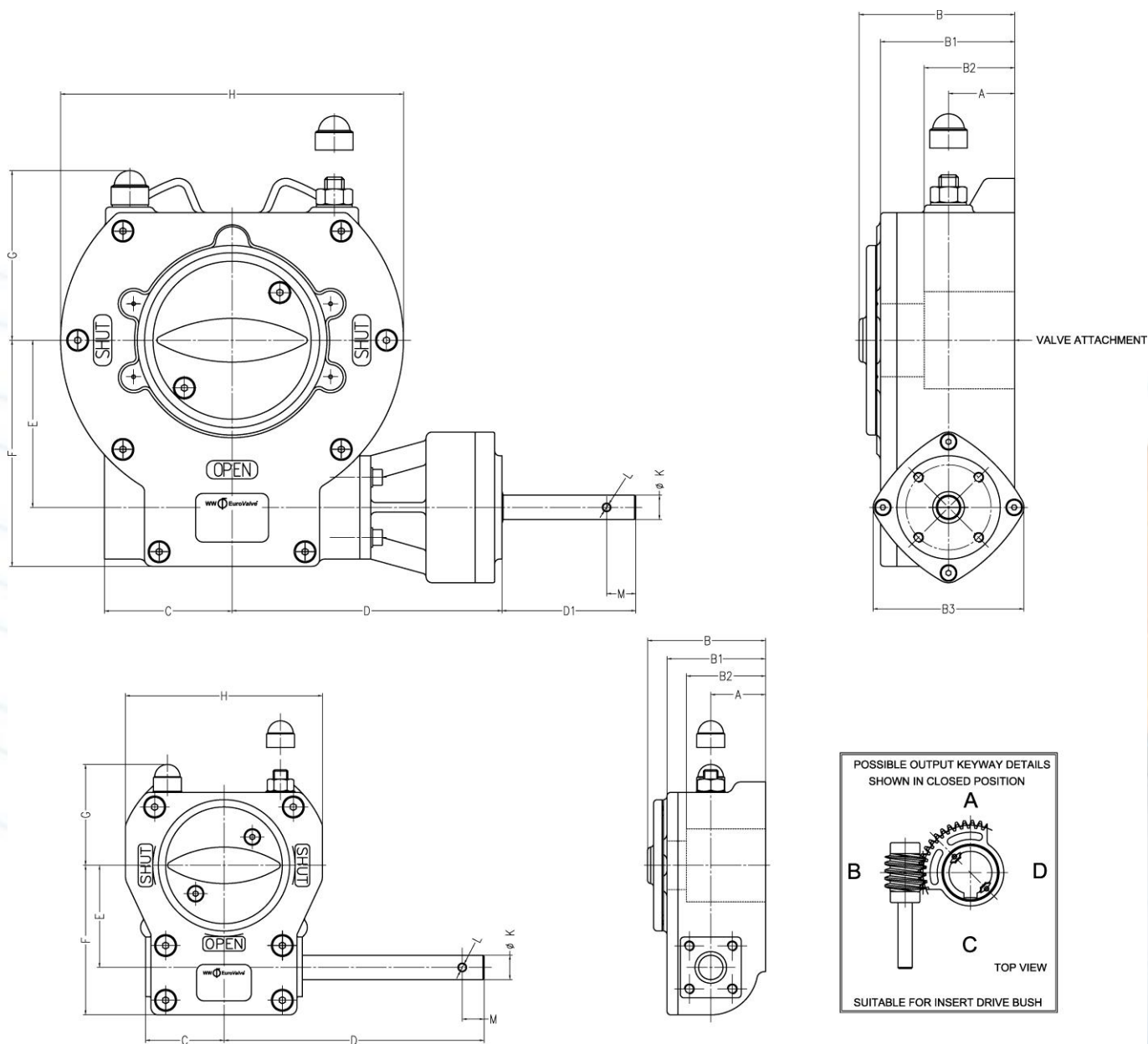
Position indicator O-ring sealed, steel indicator

Drive bush Insert system for flexibility

Threaded holes Blind tapped

RANGE

Type	TtC	Torque [Nm]		Weight [Kg]	Valve attachment ISO 5211				Drive	
		Output	Input		Flange choice				Max. square [mm]	Max. bore [mm]
Q-200	10	200	17	2	F05-N	F07-N			14	24
Q-400	11	400	32	4	F07-N	F10-N			22	32
Q-800	10	800	60	8	F10-N	F12-N	F14-N		27	40
Q-1500	11	1500	123	14	F10-N	F12-N	F14-N		40	65
Q-2000	12	2000	131	15	F12-N	F14-N	F16-N		40	65
Q-3000	15	3000	167	25	F14-N	F16-N			40	65
Q-4000	18	4000	185	32	F16-N	F25-N			65	100
Q-5000	68	5000	105	30	F14-N	F16-N			40	65
Q-6500	68	6500	95	38	F16-N	F25-N			65	100
Q-12000	68	12000	169	57	F16-N	F25-N	F30-N		75	130
Q-16000	162	16000	120	63	F25-N	F30-N			75	130
Q-24000	180	24000	140	192	F25-N	F30-N	F35-N	F40-N	105	160
Q-32000	240	32000	140	195	F25-N	F30-N	F35-N	F40-N	105	160
Q-50000	240	50000	150	352	F35-N	F40-N	F48-N		140	210
Q-70000	320	70000	185	352	F35-N	F40-N	F48-N		140	210



DIMENSION TABLE WORM GEARBOX [mm]															
Type	A	B	B1	B2	B3	C	D	D1	E	F	G	H	K	L	M
Q-200	28.5	64	52	30.5	-	35	118	-	43.5	67.5	45.7	84	12	4	15
Q-400	34	74.8	59	40	-	45.5	168	-	52.5	81.5	55	112	12	4	15
Q-800	42.5	90.5	75	45	-	55	213	-	68.8	115	72.5	135	15	5	15
Q-1500	45	97	81	61	-	64.5	214	-	84	123	83	156	20	6	18
Q-2000	50	100	85	61	-	75	226	-	96.5	144	91.5	180	20	6	18
Q-3000	48.5	117.5	101.5	61	-	100.5	255	-	117.5	163	114	250	20	6	24
Q-4000	54.5	128	110	83.5	-	105	300	-	137.5	186	140	282	20	6	24
Q-5000	48.5	117.5	101.5	61	-	100.5	217.5	-	117.5	163	114	250	20	6	24
Q-6500	54.5	128	110.5	83.5	124	105	222	110	137.5	186	140	282	20	6	24
Q-12000	63.5	135	118	101.5	124	136	253	110	180	240	156	376	20	6	24
Q-16000	63.5	135	118	101.5	166.5	136	351	77	180	240	156	376	25	8	20
Q-24000	85	188.5	168	101.5	166.5	175	365	77	252.5	335	201	510	25	8	20
Q-32000	85	188.5	168	101.5	166.5	175	365	77	252.5	335	201	510	25	8	20
Q-50000	138	262.5	237	-	266.5	270	502	110	291.5	396.5	306	612	25	8 ⁽¹⁾	45
Q-70000	138	262.5	237	-	266.5	270	502	110	291.5	396.5	306	612	25	8 ⁽¹⁾	45

1) Inputshaft provided with key according to DIN 6885

B1 = max. stem length
B2 = max. insert length