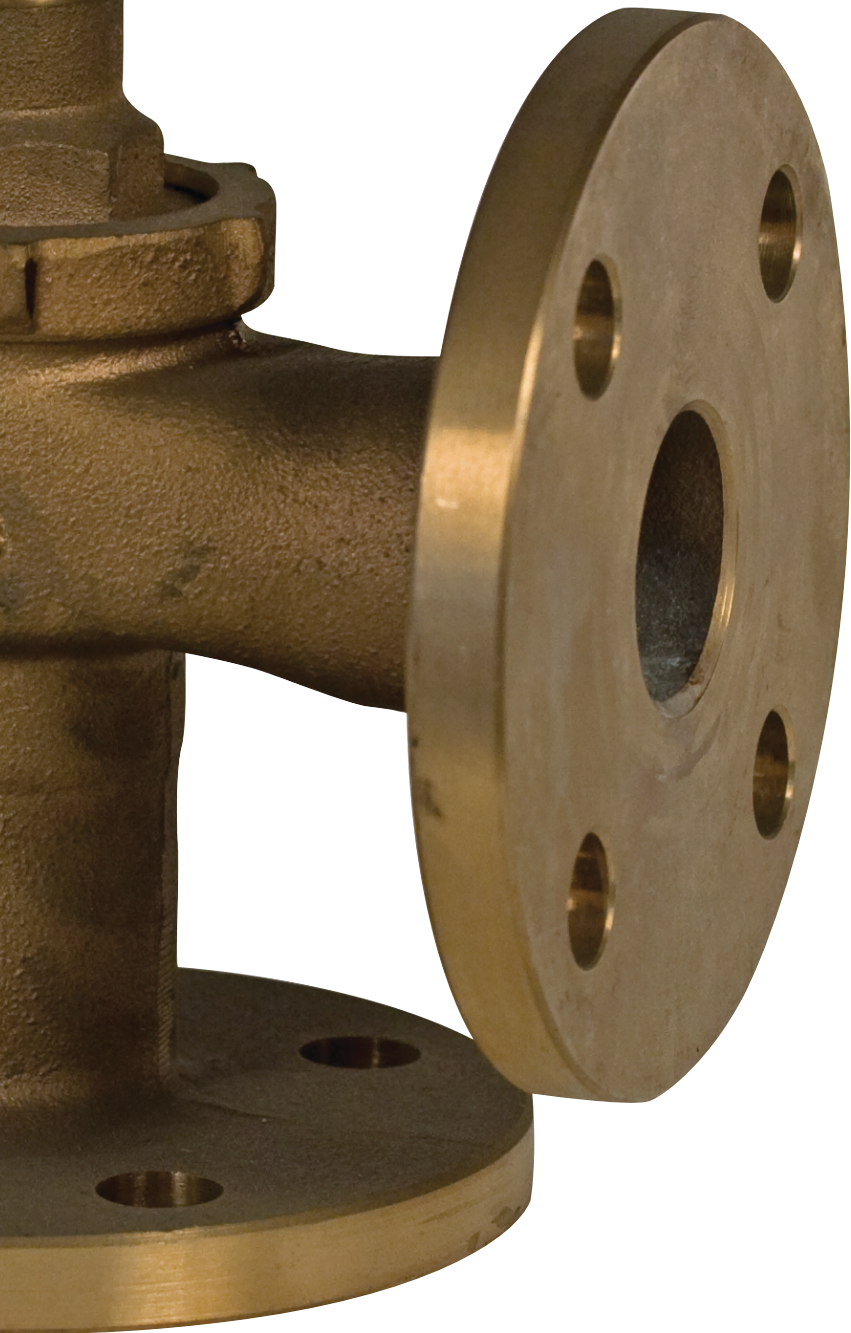




DIN VALVE & FLANGE

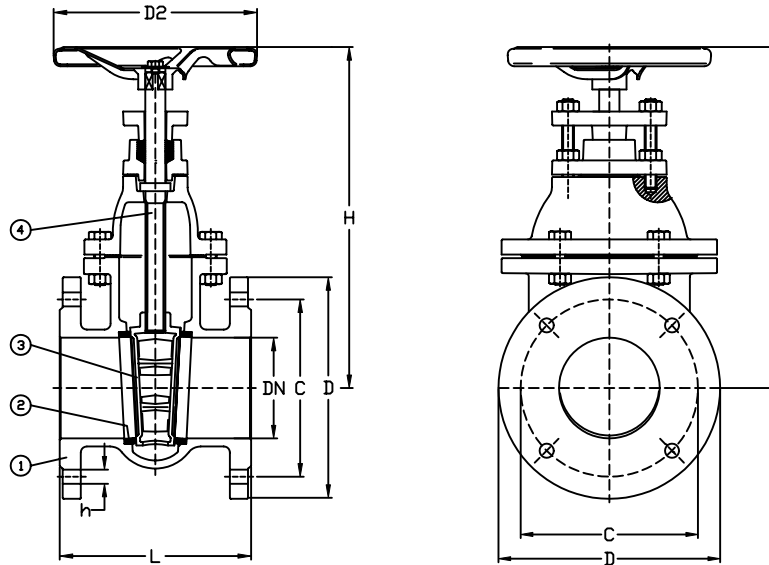
PRODUCT OVERVIEW



<u>Page</u>	<u>Series</u>	<u>Type</u>	<u>Material</u>	<u>Pressure</u>
Gate Valves				
3	1001	NRS	Cast Iron	PN10
4	1011 - 1012	NRS	Cast Steel	PN16
5	1022	NRS	Bronze	PN16
6	1032	NRS	Ductile Iron	PN16
7	1202	NRS	Cast Iron	PN16
8	1302	OS&Y	Cast Iron	PN16
9	1311-1312-1313	OS&Y	Cast Steel	PN10-16-25
10	1422 - 1622	NRS	Bronze	PN16
Globe Valves				
11	2002 - 2102	Regular & SDNR	Cast Iron	PN16
12	2012 - 2112	Regular & SDNR	Cast Steel	PN16
13	2015 - 2115	Regular & SDNR	Cast Steel	PN40
14	2017 - 2117	Regular & SDNR	Cast Steel	PN100
15	2018 - 2118	Regular & SDNR	Cast Steel	PN160
16	2022 - 2122	Regular & SDNR	Bronze	PN16
17	2032 - 2132	Regular & SDNR	Ductile Iron	PN16
Angle Valves				
18	3002 - 3102	Regular & SDNR	Cast Iron	PN16
19	3012 - 3112	Regular & SDNR	Cast Steel	PN16
20	3015 - 3115	Regular & SDNR	Cast Steel	PN40
21	3022 - 3122	Regular & SDNR	Bronze	PN16
22	3032 - 3132	Regular & SDNR	Ductile Iron	PN16
Globes & Angle Valves (Others)				
23	2222 - 3222	Hose	Bronze	PN16
24	2312 - 3312	Overboard	Cast Steel	PN16
25	2415 - 3415	Quick-Closing	Cast Steel	PN40
26	2522 - 3522	Union Bonnet	Bronze	PN16
27	2722 - 3722	Regular	Bronze	PN16
Check Valves				
28	4012	Wafer Swing	Cast Steel	PN16
29	4022 - 4052	Wafer Swing	Bronze - Stainless Steel	PN16
30	4101 - 4111	Duo-Check	Various	PN16

<u>Page</u>	<u>Series</u>	<u>Type</u>	<u>Material</u>	<u>Pressure</u>
Check Valves (continued)				
31	4211 - 4311	Storm Vertical & Angle Pattern	Cast Steel	PN10
32	4402	Swing	Cast Iron	PN16
33	4412	Swing	Cast Steel	PN16
34	4602	Lift Globe	Cast Iron	PN16
35	4615	Lift Globe	Cast Steel	PN40
34	4702	Lift Angle	Cast Iron	PN16
35	4715	Lift Angle	Cast Steel	PN40
36	4822 - 4865	Disc	Various	PN10
37	4901	Vent	Cast Iron	PN10
Miscellaneous				
38	62	Ball Valves	Various	PN16 - PN40
39	80	Pressure Reducing	Bronze	PN30
40	8202 - 8215	Y-Strainers	Various	PN16 - PN40
41	84	Needle	Stainless Steel	PN500
42	XRD10	Expansion Bellow	Rubber	PN10
Butterfly Valves				
43 - 44		Material Selection Guide		
45 - 46	50 - 52 -55	Wafer - Lug - Flanged	Various	PN10 - PN16
47 - 48	53 - 54 - 56	Mono & Flanged	Various	PN10 - PN16
48	58	Teflon Lined	Various	PN10 - PN16
49	Actuators	Lever & Worm Gear		
Flanges				
50-51	DIN 2573 DIN 2576 DIN 2527	Slip-On & Blind	Various	PN6 - PN40
52	DIN 2633 DIN 2635	Weld-Neck	Various	PN16 - PN40
53-54	DIN 86029 DIN 86030	Raised Face	Various	PN10 - PN16
Conversion Tables				
55	Linear			
56	Pressure			
57	Temperature			
Terms & Conditions				
58				

Series 1001 ... NRS



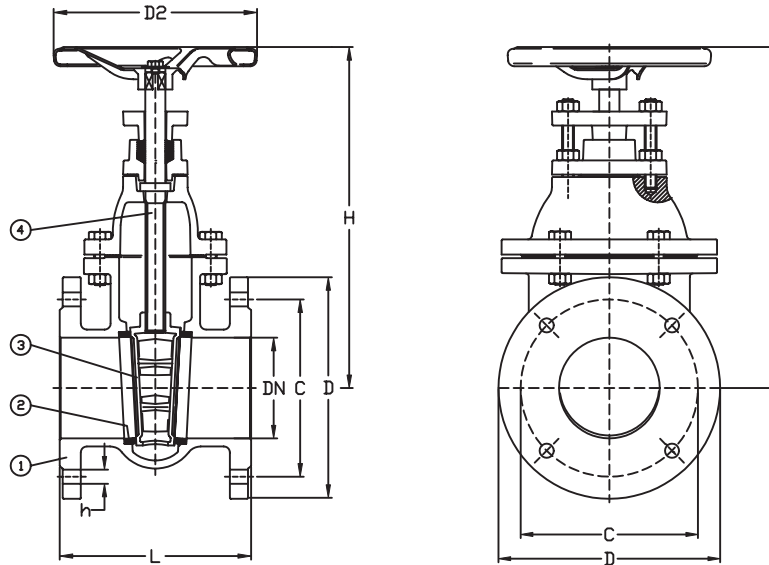
Face to Face according to DIN 3202-F4
Flanges as per DIN 2501 - PN10

Part Nr.	Material	Code
1 - Body	Cast Iron	GG25
2 - Seat	Brass	UNI 5035
3 - Disc	Brass	UNI 5035
4 - Stem	Brass	UNI 5035

Size DN	Nom. Pressure	Hydraulic Inspection	
	PN	Body	Seat
40 to 250	10	16	10
300 to 600	6	10	6

Size	L	D	C	No.	h	t	H	D2	Kg
40	140	150	110	4	18	16	230	160	11
50	150	165	125	4	18	18	245	160	12
65	170	185	145	4	18	18	290	160	17
80	180	200	160	8	18	20	315	160	18
100	190	220	180	8	18	20	355	200	35
125	200	250	210	8	18	22	415	250	35
150	210	285	240	8	22	22	460	250	46
175	220	315	270	8	22	24	510	250	66
200	230	340	295	8	22	24	545	315	75
250	250	395	350	12	22	26	635	315	110
300	270	445	400	12	22	26	725	400	115
350	290	505	460	16	22	26	830	400	242
400	310	565	515	16	26	26	945	400	285
500	350	670	620	20	26	28	1120	500	410
600	390	780	725	20	30	28	1300	500	573

Series 1011 ... PN10
Series 1012 ... PN16



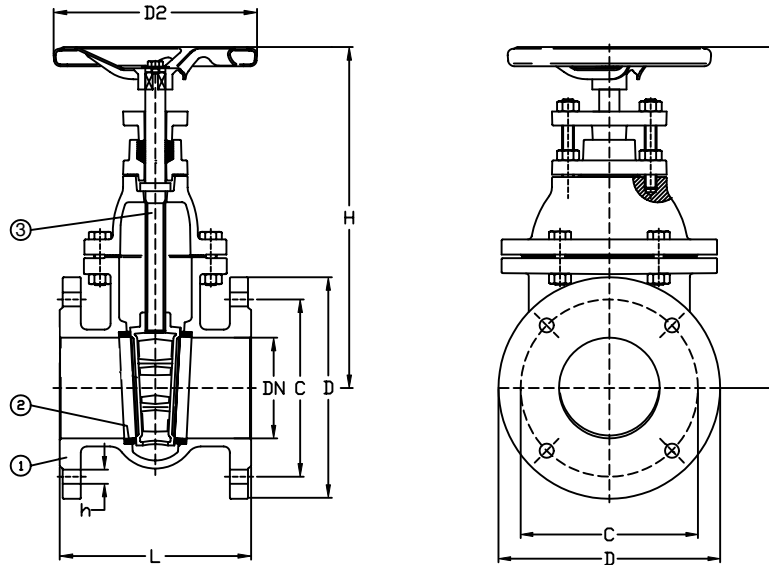
Face to Face according to DIN 3202-F4
Flanges according to DIN2501-PN10 or 16

Part Nr.	Material	Code
1 - Body	Cast Steel	GSC-25N
2 - Seat	Stainless Steel	AISI 420
3 - Disc	Stainless Steel	AISI 410
4 - Stem	Stainless Steel	AISI 410

Size DN	Nom. Pressure	Hydraulic Inspection	
	PN	Body	Seat
40 to 500	16	25	16
200 to 600	10	16	10

Size	L	DIN PN10					DIN PN16					H	D2	Kg
		D	C	No.	h	t	D	C	No.	h	t			
40	140	Same as DIN PN16					150	110	4	18	16	230	160	11
50	150	Same as DIN PN16					165	125	4	18	18	245	160	12
65	170	Same as DIN PN 16					185	145	4	18	18	290	160	17
80	180	200	160	4	18	20	200	160	8	18	20	315	160	18
100	190	Same as DIN PN 16					220	180	8	18	20	355	200	35
125	200	Same as DIN PN 16					250	210	8	18	22	415	250	35
150	210	Same as DIN PN 16					285	240	8	22	22	460	250	46
175	220	Same as DIN PN16					315	270	8	22	24	510	250	66
200	230	340	295	8	22	24	340	295	12	22	24	545	315	75
250	250	395	350	12	22	26	405	355	12	25	26	635	315	110
300	270	445	400	12	22	28	460	410	12	26	28	725	400	115
350	290	505	460	16	22	30	520	470	16	26	30	830	400	242
400	310	565	515	16	26	32	580	525	16	30	32	945	400	285
500	350	670	620	20	26	34	715	650	20	33	34	1120	500	410
600	390	780	725	20	30	36	-	-	-	-	-	1300	500	573

Series 1022 ... NRS

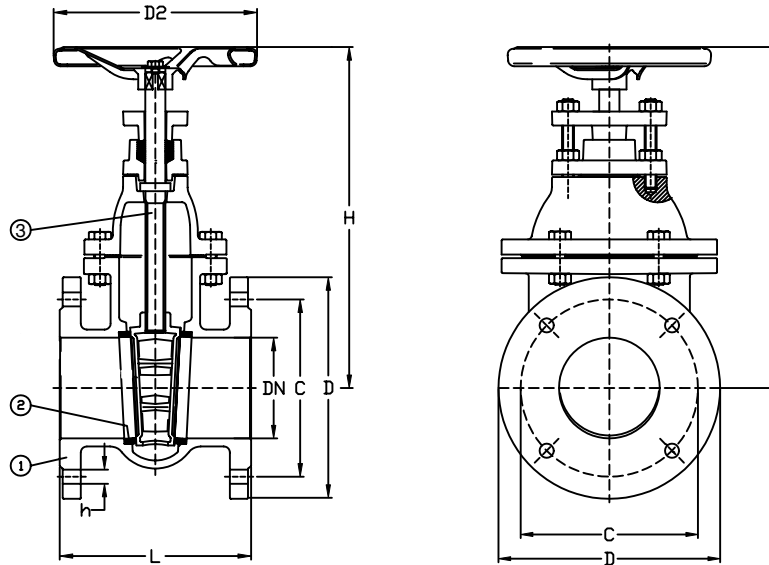


Face to Face according to DIN 3202-F4
Flanges according to DIN2501-PN16

Part Nr.	Material	Code	Size DN	Nom. Pressure PN	Hydraulic Inspection	
					Body	Seat
1 - Body	Gunmetal	DIN 1705	40 to 175	16	25	16
2 - Disc	Gunmetal	DIN 1705				
3 - Stem	Brass	DIN 17672	200 to 300	10	16	10

Size	L	D	C	No.	h	t	H	D2	Kg
40	140	150	110	4	18	16	230	160	11
50	150	165	125	4	18	18	245	160	12
65	170	185	145	4	18	18	290	160	17
80	180	200	160	8	18	20	315	160	18
100	190	220	180	8	18	20	355	200	35
125	200	250	210	8	18	22	415	250	35
150	210	285	240	8	22	22	460	250	46
175	220	315	270	8	22	24	510	250	66
200	230	340	295	8	22	24	545	315	75
250	250	395	350	12	22	26	635	315	110
300	270	445	400	12	22	26	725	400	115

Series 1032 ... NRS



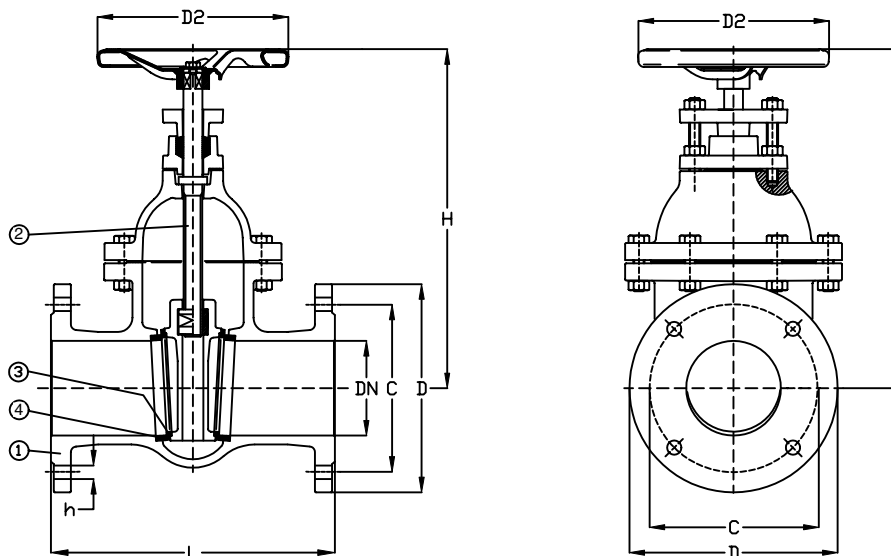
Face to Face according to DIN 3202-F4
Flanges as per DIN 2501 - PN16

Part Nr.	Material	Code
1 - Body	Ductile Iron	GGG40
2 - Disc	Ductile Iron with Vulcanized NBR Rubber	GGG40 with NBR
3 - Stem	Stainless Steel	X20Cr13

Size DN	Nom. Pressure	Hydraulic Inspection	
	PN	Body	Seat
40 to 300	16	25	16

Size	L	D	C	No.	h	t	H	D2	Kg
40	140	150	110	4	18	18	140	195	10
50	150	165	125	4	18	18	140	205	11
65	170	185	145	4	18	18	160	230	14
80	180	200	160	8	18	20	160	260	17
100	190	220	180	8	18	20	180	290	21
125	200	250	210	8	18	22	200	345	29
150	210	285	240	8	22	22	200	385	35
200	230	340	295	12	22	24	280	475	53
250	250	405	355	12	26	26	280	565	78
300	270	460	410	12	26	28	325	645	102

Series 1202 ... NRS



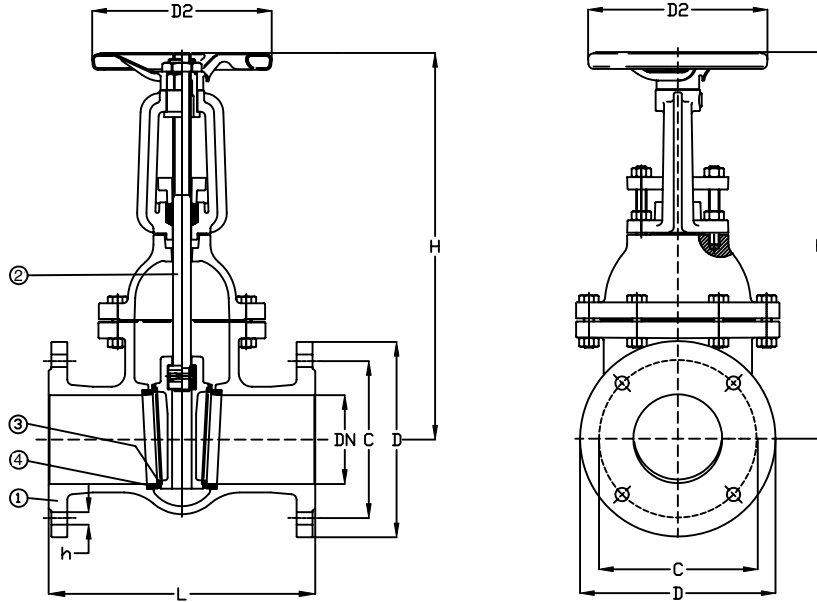
Face to Face according to DIN 3202-F5
Flanges according to DIN2501-PN16

Part Nr.	Material	Code
1 - Body	Cast Iron	GG25
2 - Stem	Brass	UNI 5035
3 - Disc	Brass	UNI 5035
4 - Seat	Brass	UNI 5035

Size DN	Nom. Pressure	Hydraulic Inspection	
	PN	Body	Seat
40 to 300	16	25	16

Size	L	D	C	No.	h	t	D2	H	Kg
40	240	150	110	4	18	18	140	230	16
50	250	165	125	4	18	18	140	265	20
65	270	185	145	4	18	18	160	300	30
80	280	200	160	8	18	20	160	340	36
100	300	220	180	8	18	20	180	370	48
125	325	250	210	8	18	22	200	415	65
150	350	285	240	8	22	22	200	460	81
175	375	315	270	8	22	24	280	510	106
200	400	340	295	12	22	24	280	555	127
250	450	405	355	12	26	26	280	665	183
300	500	460	410	12	26	28	325	730	240

Series 1302 ... OS&Y

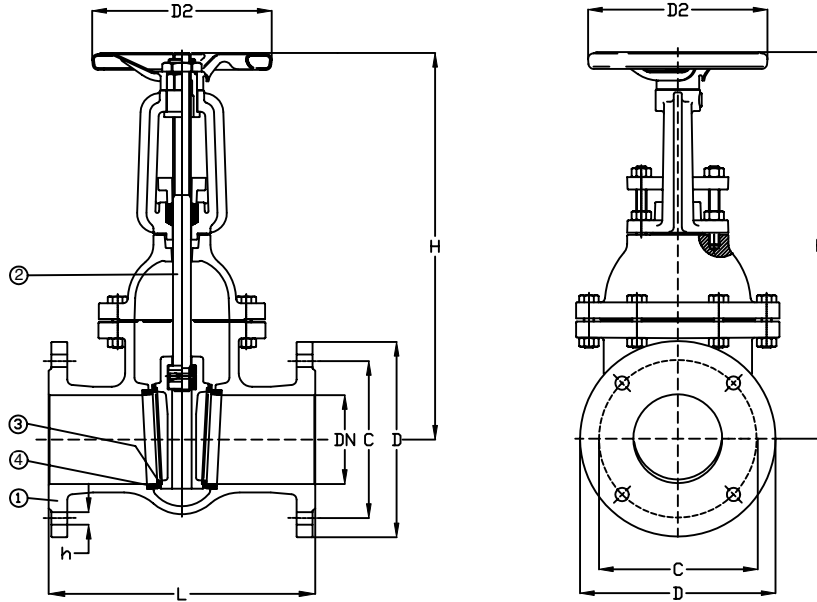


Face to Face according to DIN 3202-F5
Flanges according to DIN2501-PN16

Part Nr.	Material	Code	Size		Nom. Pressure		Hydraulic Inspection	
			DN	PN	Body	Seat		
1 - Body	Cast Iron	GG25	40 to 300	16	25	16		
2 - Stem	Brass	UNI 5035						
3 - Disc	Brass	UNI 5035						
4 - Seat	Brass	UNI 5035						

Size	L	D	C	No.	h	t	D2	H	Kg
40	240	150	110	4	18	18	140	265	18
50	250	165	125	4	18	18	140	275	22
65	270	185	145	4	18	18	160	335	32
80	280	200	160	8	18	20	160	355	39
100	300	220	180	8	18	20	180	400	51
125	325	250	210	8	18	22	200	495	68
150	350	285	240	8	22	22	200	585	84
175	375	315	270	8	22	24	280	660	109
200	400	340	295	12	22	24	280	700	130
250	450	405	355	12	26	26	280	830	203
300	500	460	410	12	26	28	325	960	259

Series 1311 ... OS&Y - PN10
 Series 1312 ... OS&Y - PN16
 Series 1313 ... OS&Y - PN25

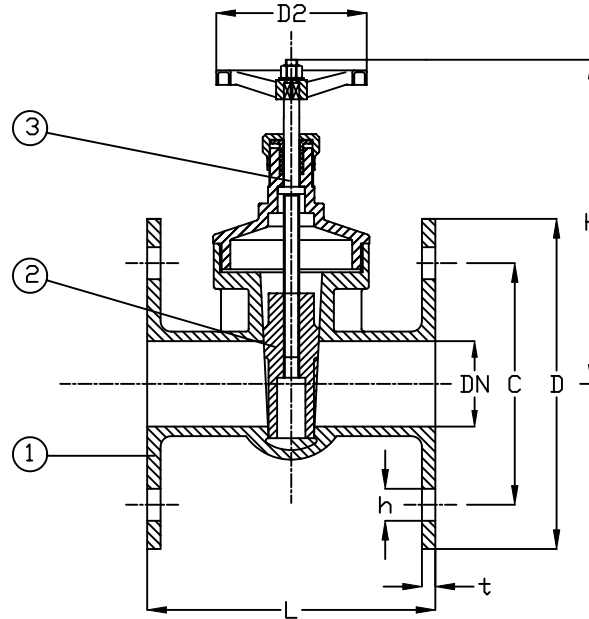


Face to Face according to DIN 3202-F5
 Flanges according to DIN2501-PN10, 16 & 25

Part Nr.	Material	Code	Size DN	Nom. Pressure PN	Hydraulic Inspection	
					Body	Seat
1 - Body	Cast Steel	GSC-25N	40 to 500	25	38	25
2 - Stem	Stainless Steel	AISI 420				
3 - Disc	Stainless Steel	AISI 410	40 to 500	16	25	16
4 - Seat	Stainless Steel	AISI 410	40 to 500	10	16	10

Size	L	DIN PN10					DIN PN16					DIN PN25					H	D2	Kg
		D	C	No.	h	t	D	C	No.	h	t	D	C	No.	h	t			
40	240	Same as DIN PN 25					Same as DIN PN 25					150	110	4	18	18	230	160	11
50	250	Same as DIN PN 25					Same as DIN PN 25					165	125	4	18	20	245	160	12
65	270	Same as DIN PN 16					185	145	4	18	18	185	145	8	18	22	290	160	17
80	280	200	160	4	18	22	Same as DIN PN25					200	160	8	18	24	315	160	18
100	300	Same as DIN PN 16					220	180	8	18	20	235	190	8	22	24	355	200	35
125	325	Same as DIN PN 16					250	210	8	18	22	270	220	8	26	26	415	250	35
150	350	Same as DIN PN 16					285	240	8	22	22	300	250	8	26	28	460	250	46
200	400	340	295	8	22	24	340	295	12	22	24	375	320	12	30	34	545	315	75
250	450	395	350	12	22	26	405	355	12	25	26	450	385	12	33	38	635	315	110
300	500	445	400	12	22	26	460	410	12	26	28	515	450	16	33	42	725	400	115
350	550	505	460	16	22	26	520	470	16	26	30	580	510	16	36	46	830	400	242
400	600	565	515	16	26	26	580	525	16	30	32	660	585	16	39	50	945	400	285
500	700	670	620	20	26	28	715	650	20	33	34	775	670	20	42	52	1120	500	410

Series 1422 ... Bronze
Series 1622 ... Bronze

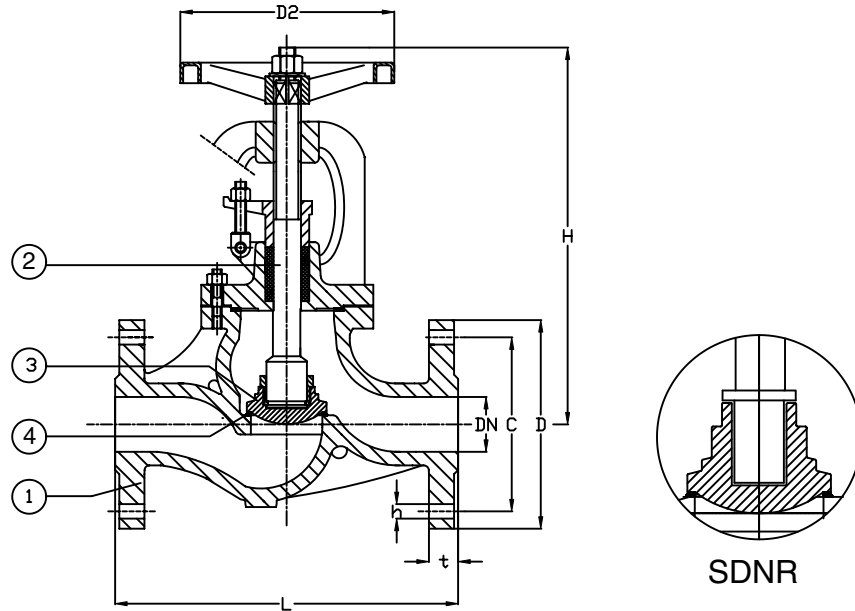


Flanges according to DIN2501-PN16

Part Nr.	Material	Code
1 - Body	Bronze	DIN 1705
2 - Disc	Bronze	DIN 1705
3 - Stem	Brass	DIN 17672

Size	Series 1422 Series 1622		D	C	Holes	H	KG
	L						
15	75	80	95	65	4 x 14	90	1.5
20	75	90	105	75	4 x 14	115	2.0
25	80	100	115	85	4 x 14	130	2.5
32	90	110	140	100	4 x 18	145	4.0
40	100	120	150	110	4 x 18	160	5.5
50	110	120	165	125	4 x 18	190	7.2
65	130	140	185	145	4 x 18	230	10.0
80	150	160	200	160	8 x 18	260	14.0
100	160	180	220	180	8 x 18	335	22.0
125	-	180	250	210	8 x 18	395	28.0
150	-	200	285	240	8 x 22	415	38.0

Series 2002 ... Regular
Series 2102 ... SDNR

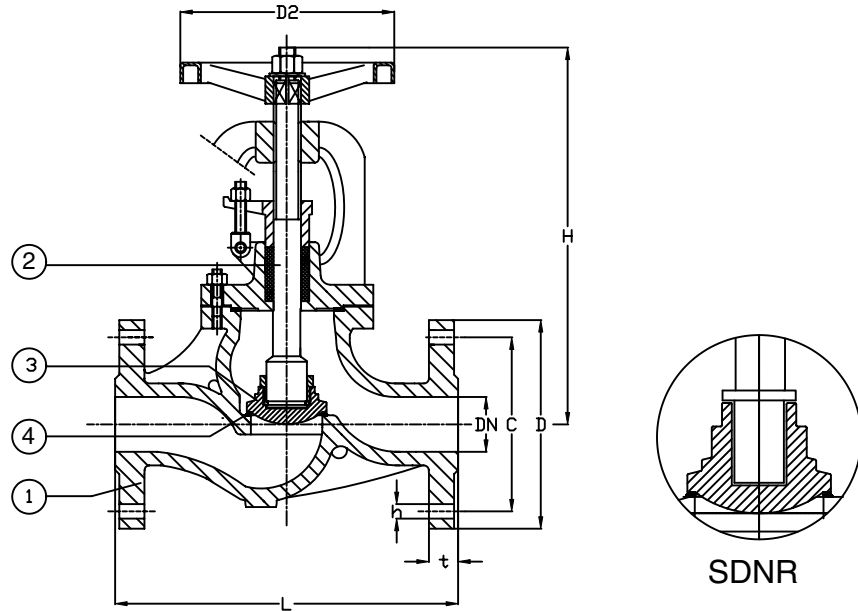


Face to Face according to ISO5752 Series 1
Flanges according to DIN2501-PN16

Part Nr.	Material	Code	Size		Nom. Pressure		Hydraulic Inspection	
			DN		PN		Body	Seat
1 - Body	Cast Iron	GG25	15 to 250		16		25	16
2 - Stem	Stainless Steel	INOX						
3 - Disc	Stainless Steel	INOX						
4 - Seat	Stainless Steel	INOX	300		10		16	10

Size	L	D	C	No.	h	t	H	D2	Kg
15	130	95	65	4	14	14	160	100	3.8
20	150	105	75	4	14	16	165	100	5
25	160	115	85	4	14	16	190	125	5.7
32	180	140	100	4	18	16	200	125	8.2
40	200	150	110	4	18	16	225	150	10
50	230	165	125	4	18	18	260	150	13.5
65	290	185	145	4	18	18	280	200	22
80	310	200	160	8	18	20	320	200	25
100	350	220	180	8	18	20	375	225	38.5
125	400	250	210	8	18	22	415	225	55
150	480	285	240	8	22	22	460	300	78
175	550	315	270	8	22	24	550	300	110
200	600	340	295	12	22	24	570	420	125
250	730	405	355	12	25	26	750	500	250
300	850	460	410	12	25	26	900	500	340

Series 2012 ... Regular
Series 2112 ... SDNR

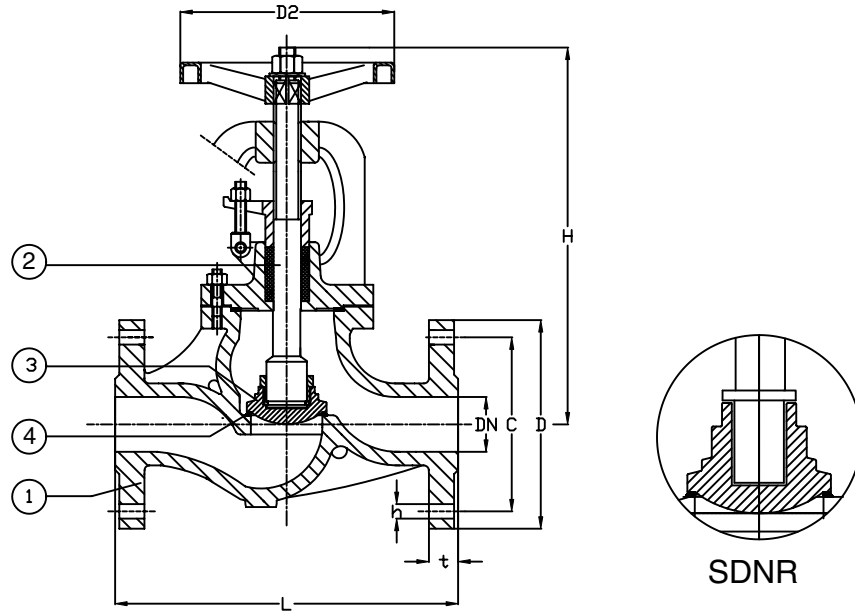


Face to Face according to ISO5752, Series 1
Flanges according to DIN2501-PN16

Part Nr.	Material	Code	Size		Nom. Pressure		Hydraulic Inspection	
			DN	PN	Body	Seat		
1 - Body	Cast Steel	GSC-25N	15 to 250	16	25	16	16	10
2 - Stem	Stainless Steel	INOX						
3 - Disc	Stainless Steel	INOX	300	10	16	10	10	10
4 - Seat	Stainless Steel	INOX						

Size	L	D	C	No.	h	t	H	D2	Kg
15	130	95	65	4	14	14	160	100	3.8
20	150	105	75	4	14	16	165	100	5
25	160	115	85	4	14	16	190	125	5.7
32	180	140	100	4	18	16	200	125	8.2
40	200	150	110	4	18	16	225	150	10
50	230	165	125	4	18	18	260	150	13.5
65	290	185	145	4	18	18	280	200	22
80	310	200	160	8	18	20	320	200	25
100	350	220	180	8	18	20	375	225	38.5
125	400	250	210	8	18	22	415	225	55
150	480	285	240	8	22	22	460	300	78
175	550	315	270	8	22	24	550	300	110
200	600	340	295	12	22	24	570	420	125
250	730	405	355	12	25	26	750	500	250
300	850	460	410	12	25	26	900	500	340

Series 2015 ... Regular
Series 2115 ... SDNR

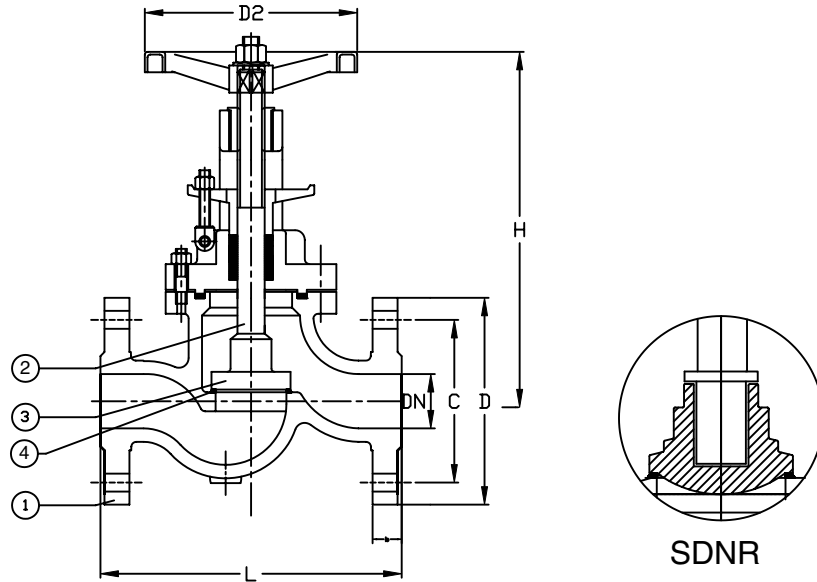


Face to Face according to ISO5752, Series 1
Flanges according to DIN2501-PN40

Part Nr.	Material	Code	Size DN	Nom. Pressure PN	Hydraulic Inspection	
					Body	Seat
1 - Body	Cast Steel	GSC-25N	15 to 175	40	60	40
2 - Stem	Stainless Steel	AISI 410				
3 - Disc	Stainless Steel	AISI 410	200 to 300	25	37.5	25
4 - Seat	Stainless Steel	AISI 410				

Size	L	D	C	No.	h	t	H	D2	Kg
15	130	95	65	4	14	16	160	100	4.4
20	150	105	75	4	14	18	165	100	5.7
25	160	115	85	4	14	18	190	125	6.8
32	180	140	100	4	18	18	200	125	8.3
40	200	150	110	4	18	18	225	150	11
50	230	165	125	4	18	20	260	150	16
65	290	185	145	8	18	22	280	200	27
80	310	200	160	8	18	24	320	200	31
100	350	235	190	8	22	24	375	250	48
125	400	270	220	8	25	26	415	250	58
150	480	300	250	8	25	28	460	300	86
175	550	350	295	12	30	32	550	420	132
200	600	375	320	12	30	34	570	420	160
250	730	450	385	12	33	38	750	500	360
300	850	515	450	16	33	42	900	575	480

Series 2017 ... Regular
Series 2117 ... SDNR

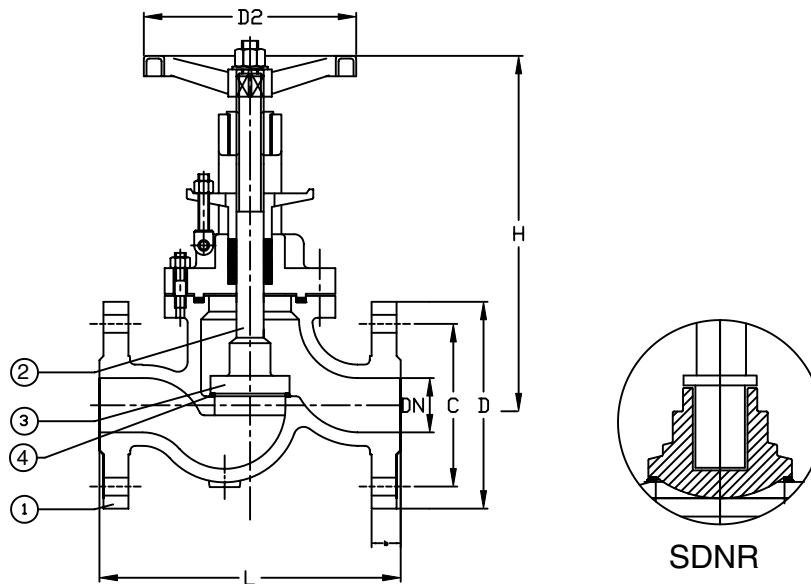


Face to Face according to ISO5752-F1
Flanges according to DIN2501-PN100

Part Nr.	Material	Code	Size DN	Nom. Pressure PN	Hydraulic Inspection	
					Body	Seat
1 - Body	Cast Steel	GSC-25N	15 to 150	100	150	100
2 - Stem	Stainless Steel	AISI 410				
3 - Disc	Stellited	HF				
4 - Seat	Stellited	HF				

Size	L	D	C	No.	h	t	H	D2	Kg
15	210	105	75	4	14	20	250	150	9
20	230	130	90	4	18	24	310	150	12.5
25	230	140	100	4	18	24	310	150	13
32	260	155	110	4	22	28	330	200	22.5
40	260	170	125	4	22	28	350	200	23
50	300	195	145	4	26	30	400	200	29
65	340	220	170	8	26	34	480	225	55
80	380	230	180	8	26	36	510	250	73
100	430	265	210	8	30	40	580	300	106
125	500	315	250	8	33	44	600	420	168
150	550	355	290	12	33	50	630	500	246

Series 2018 ... Regular
Series 2118 ... SDNR

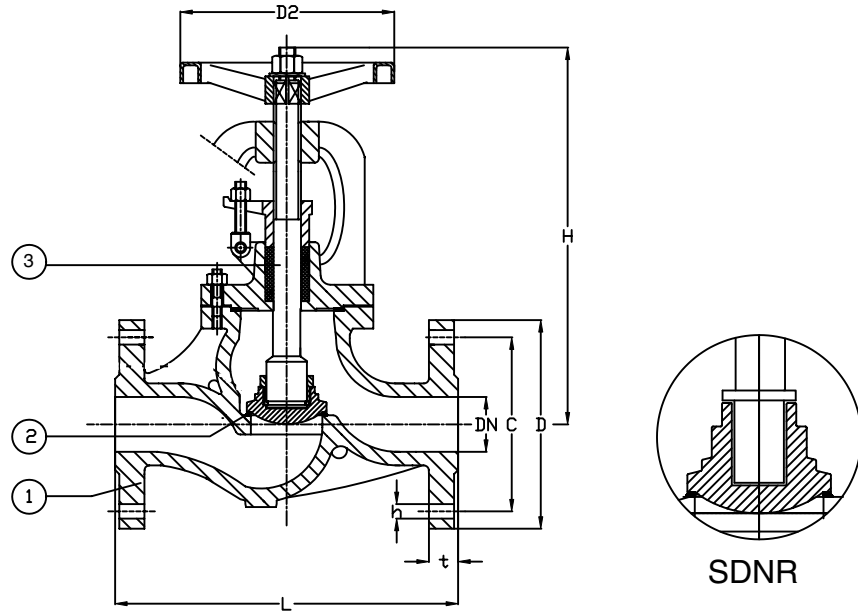


Face to Face according to ISO5752-F1
Flanges according to DIN2501-PN160

Part Nr.	Material	Code	Size DN	Nom. Pressure PN	Hydraulic Inspection	
					Body	Seat
1 - Body	Cast Steel Stainless Steel Stellited Stellited	GSC-25N	15 to 150	160	240	160
2 - Stem		AISI 410				
3 - Disc		HF				
4 - Seat		HF				

Size	L	D	C	No.	h	t	H	D2	Kg
15	210	105	75	4	14	20	250	150	9
20	230	130	90	4	18	24	310	150	12.5
25	230	140	100	4	18	24	310	150	13
32	260	155	110	4	22	28	330	200	22.5
40	260	170	125	4	22	28	350	200	23
50	300	195	145	4	26	30	400	200	29
65	340	220	170	8	26	34	480	225	55
80	380	230	180	8	26	36	510	250	73
100	430	265	210	8	30	40	580	300	106
125	500	315	250	8	33	44	600	420	168
150	550	355	290	12	33	50	630	500	246

Series 2022 ... Regular
Series 2122 ... SDNR



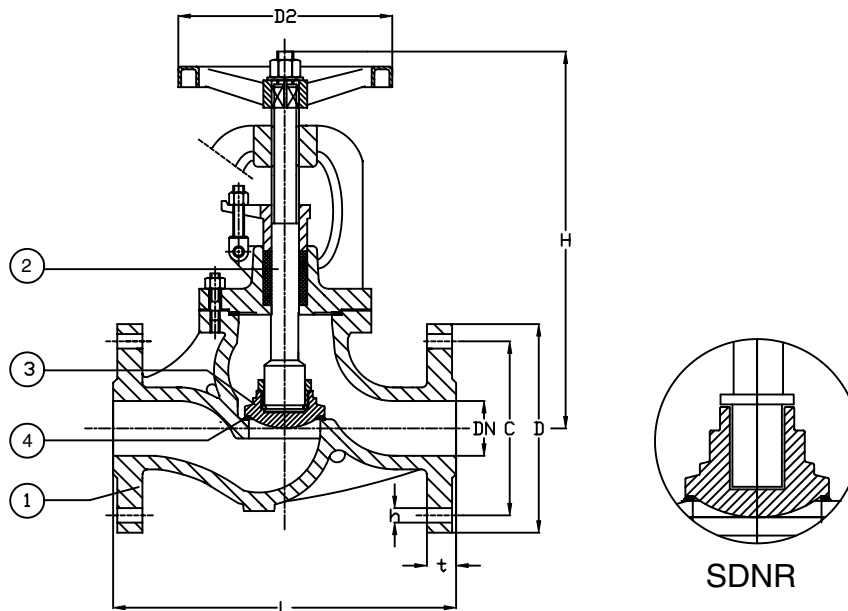
Face to Face according to ISO5752 Series 1
Flanges according to DIN2501-PN16

Part Nr.	Material	Code	Size DN	Nom. Pressure PN	Hydraulic Inspection	
					Body	Seat
1 - Body 2 - Disc 3 - Stem	Gunmetal Gunmetal Brass	DIN 1705 DIN 1705 DIN 17672	15 to 175	16	25	16
			200 to 300	10	16	10

Size	L	D	C	No.	h	t	H	D2	Kg
15	130	95	65	4	14	14	160	100	5
20	150	105	75	4	14	16	165	100	5.5
25	160	115	85	4	14	16	190	125	6
32	180	140	100	4	18	16	200	125	8
40	200	150	110	4	18	16	225	150	10
50	230	165	125	4	18	18	260	150	12
65	290	185	145	4	18	18	280	200	17
80	310	200	160	8	18	20	320	200	23
100	350	220	180	8	18	20	375	225	30
125	400	250	210	8	18	22	415	225	50
150	480	285	240	8	22	22	460	300	65
175	550	315	270	8	22	24	550	300	85
*200	600	340	295	8	22	24	570	420	110
*250	730	395	350	12	22	26	750	500	165
*300	850	445	400	12	22	28	900	500	295

*Flanges as per DIN PN10

Series 2032 ... Regular
Series 2132 ... SDNR

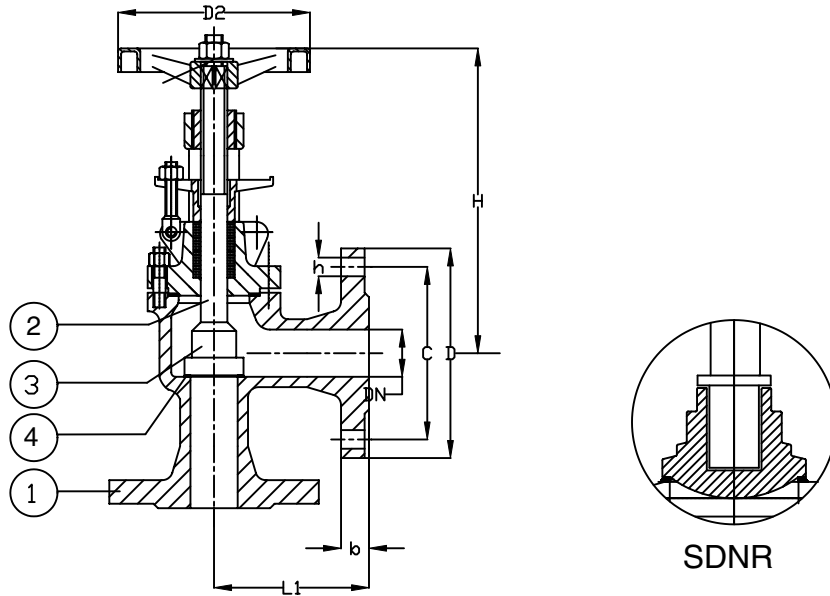


Face to Face according to ISO5752 Series 1
Flanges according to DIN2501-PN16

Part Nr.	Material	Code	Size	Nom. Pressure	Hydraulic Inspection	
			DN	PN	Body	Seat
1 - Body	Ductile Iron	GGG40	15 to 250	16	25	16
2 - Stem	Stainless Steel	INOX				
3 - Disc	Stainless Steel	INOX				
4 - Seat	Stainless Steel	INOX	300	10	16	10

Size	L	D	C	No.	h	t	H	D2	Kg
15	130	95	65	4	14	14	160	100	3.8
20	150	105	75	4	14	16	165	100	5
25	160	115	85	4	14	16	190	125	5.7
32	180	140	100	4	18	16	200	125	8.2
40	200	150	110	4	18	16	225	150	10
50	230	165	125	4	18	18	260	150	13.5
65	290	185	145	4	18	18	280	200	22
80	310	200	160	8	18	20	320	200	25
100	350	220	180	8	18	20	375	225	38.5
125	400	250	210	8	18	22	415	225	55
150	480	285	240	8	22	22	460	300	78
175	550	315	270	8	22	24	550	300	110
200	600	340	295	12	22	24	570	420	125
250	730	405	355	12	25	26	750	500	250
300	850	460	410	12	25	26	900	500	340

Series 3002 ... Regular
Series 3102 ... SDNR

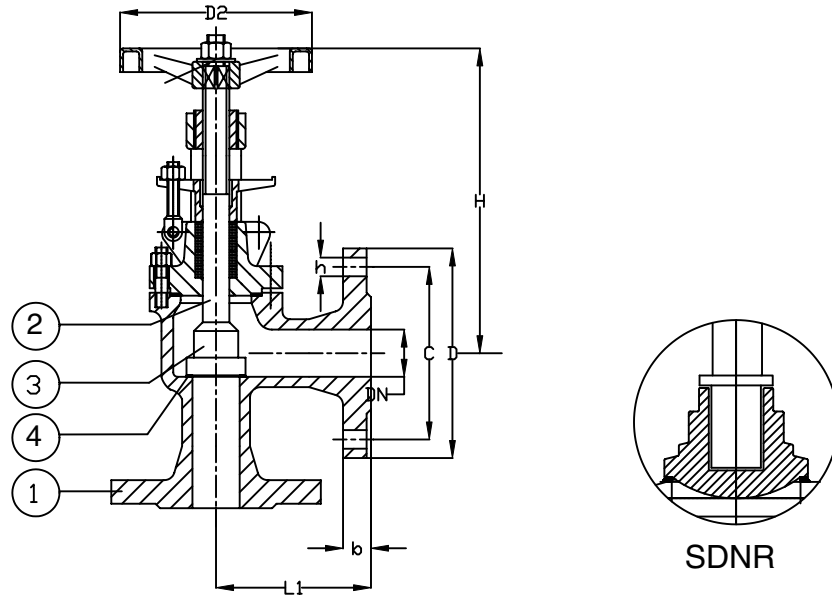


Face to Center according to ISO5752 Series 8
Flanges according to DIN2501-PN16

Part Nr.	Material	Code	Size		Nom. Pressure		Hydraulic Inspection	
			DN		PN		Body	Seat
1 - Body	Cast Iron	GG25	15 to 250		16		25	16
2 - Stem	Stainless Steel	INOX						
3 - Disc	Stainless Steel	INOX	300		10		16	10
4 - Seat	Stainless Steel	INOX						

Size	L1	D	C	No.	h	t	H	D2	Kg
15	90	95	65	4	14	14	130	100	3.9
20	95	105	75	4	14	16	135	100	4.5
25	100	115	85	4	14	16	160	125	5.5
32	105	140	100	4	18	16	170	125	6.6
40	115	150	110	4	18	16	200	150	9.1
50	125	165	125	4	18	18	225	150	11.5
65	145	185	145	4	18	18	260	200	17.1
80	155	200	160	8	18	20	280	200	23
100	175	220	180	8	18	20	325	225	32
125	200	250	210	8	18	22	355	225	46
150	225	285	240	8	22	22	385	300	67
175	250	315	270	8	22	24	470	300	92
200	275	340	295	12	22	24	500	420	126
250	325	405	355	12	25	26	580	500	184
300	375	460	410	12	25	26	630	500	270

Series 3012 ... Regular
Series 3112 ... SDNR

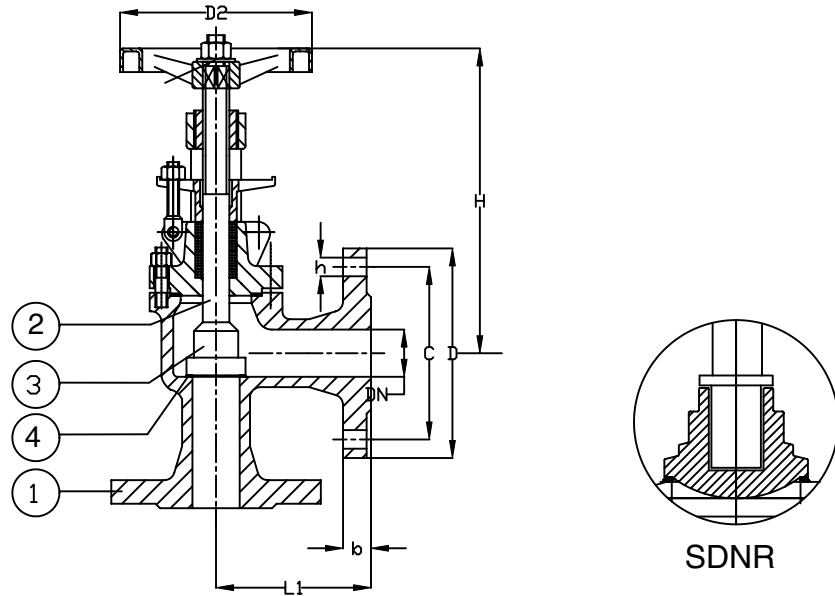


Face to Center according to ISO5752 Series 8
Flanges according to DIN2501-PN16

Part Nr.	Material	Code	Size DN	Nom. Pressure PN	Hydraulic Inspection	
					Body	Seat
1 - Body	Cast Steel	GSC-25N	15 to 250	16	25	16
2 - Stem	Stainless Steel	INOX				
3 - Disc	Stainless Steel	INOX	300	10	16	10
4 - Seat	Stainless Steel	INOX				

Size	L1	D	C	No.	h	t	H	D2	Kg
15	90	95	65	4	14	14	130	100	3.9
20	95	105	75	4	14	16	135	100	4.5
25	100	115	85	4	14	16	160	125	5.5
32	105	140	100	4	18	16	170	125	6.6
40	115	150	110	4	18	16	200	150	9.1
50	125	165	125	4	18	18	225	150	11.5
65	145	185	145	4	18	18	260	200	17.1
80	155	200	160	8	18	20	280	200	23
100	175	220	180	8	18	20	325	225	32
125	200	250	210	8	18	22	355	225	46
150	225	285	240	8	22	22	385	300	67
175	250	315	270	8	22	24	470	300	92
200	275	340	295	12	22	24	500	420	126
250	325	405	355	12	25	26	580	500	184
300	375	460	410	12	25	26	630	500	270

Series 3015 ... Regular
Series 3115 ... SDNR



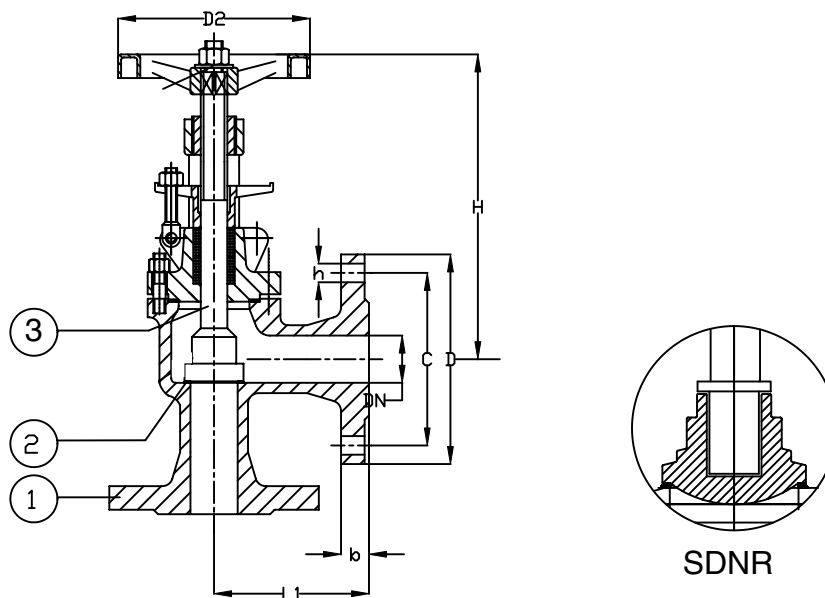
Face to Center according to ISO5752 Series 8
Flanges according to DIN2501-PN40

Part Nr.	Material	Code	Size	Nom. Pressure	Hydraulic Inspection	
			DN	PN	Body	Seat
1 - Body	Cast Steel	GSC-25N	15 to 175	40	60	40
2 - Stem	Stainless Steel	AISI 410				
3 - Disc	Stainless Steel	AISI 410	200 to 300	25	37.5	25
4 - Seat	Stainless Steel	AISI 410				

Size	L1	D	C	No.	h	t	H	D2	Kg
15	90	95	65	4	14	16	130	100	5.6
20	95	105	75	4	14	18	135	110	7.6
25	100	115	85	4	14	18	160	125	7.9
32	105	140	100	4	18	18	170	125	8.9
40	115	150	110	4	18	18	200	150	13.4
50	125	165	125	4	18	20	225	150	14.4
65	145	185	145	8	18	22	260	200	24
80	155	200	160	8	18	24	280	200	29
100	175	235	190	8	22	24	325	250	44
125	200	270	220	8	25	26	355	250	59
150	225	300	250	8	25	28	385	300	85
175	250	350	295	12	30	32	470	420	123
200	275	375	320	12	30	34	500	420	148
250	325	450	385	12	33	38	580	500	188
300	375	515	450	16	33	42	630	575	328

Series 3022 ... Regular

Series 3122 ... SDNR



Face to Center according to ISO5752 Series 8

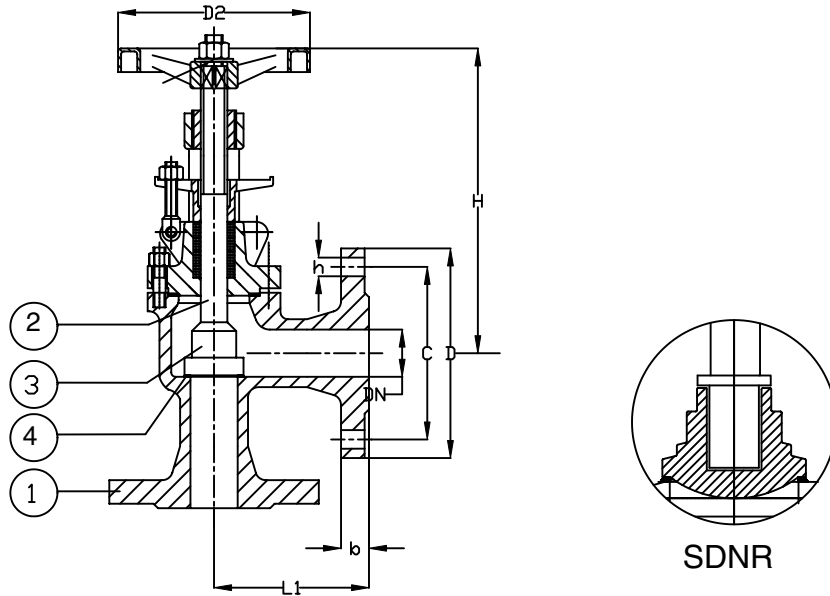
Flanges according to DIN2501-PN16

Part Nr.	Material	Code	DN	Nom. Pressure PN	Hydraulic Inspection	
					Body	Seat
1 - Body	Gunmetal Gunmetal Brass	DIN 1705	15 to 175	16	25	16
2 - Disc		DIN 1705				
3 - Stem		DIN 17672	200 to 300	10	16	10

Size	L	D	C	No.	h	t	H	D2	Kg
15	90	95	65	4	14	14	160	100	3.2
20	95	105	75	4	14	16	165	100	4.2
25	100	115	85	4	14	16	190	125	4.5
32	105	140	100	4	18	16	200	125	7.6
40	115	150	110	4	18	16	225	150	8
50	125	165	125	4	18	18	260	150	12
65	145	185	145	4	18	18	280	200	17.5
80	155	200	160	8	18	20	320	200	24
100	175	220	180	8	18	20	375	225	32
125	200	250	210	8	18	22	415	225	51
150	225	285	240	8	22	22	460	300	74
175	250	315	270	8	22	24	550	300	107
*200	275	340	295	8	22	24	570	420	135
*250	325	395	350	12	22	26	750	500	175
*300	325	445	400	12	22	28	900	500	205

*Flanges as per DIN N10

Series 3032 ... Regular
Series 3132 ... SDNR

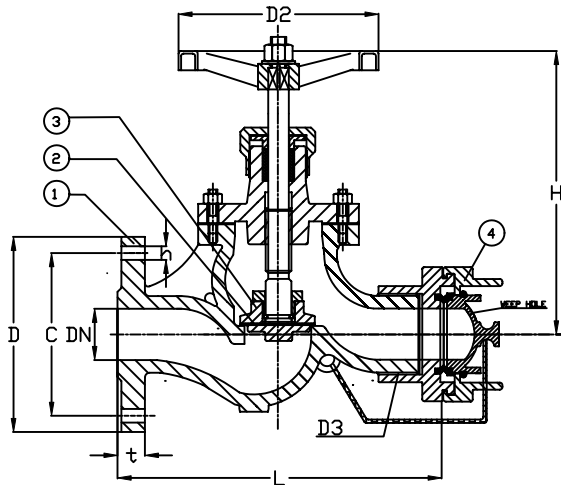


Face to Center according to ISO5752 Series 8
Flanges according to DIN2501-PN16

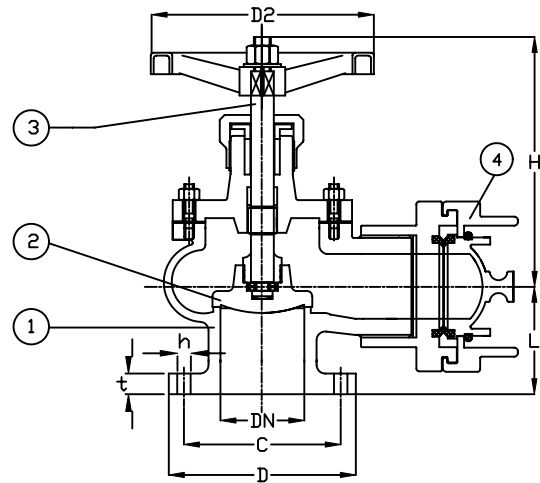
Part Nr.	Material	Code	Size		Nom. Pressure		Hydraulic Inspection	
			DN		PN		Body	Seat
1 - Body	Ductile Iron	GGG40	15 to 250		16		25	16
2 - Stem	Stainless Steel	INOX						
3 - Disc	Stainless Steel	INOX	300		10		16	10
4 - Seat	Stainless Steel	INOX						

Size	L1	D	C	No.	h	t	H	D2	Kg
15	90	95	65	4	14	14	130	100	3.9
20	95	105	75	4	14	16	135	100	4.5
25	100	115	85	4	14	16	160	125	5.5
32	105	140	100	4	18	16	170	125	6.6
40	115	150	110	4	18	16	200	150	9.1
50	125	165	125	4	18	18	225	150	11.5
65	145	185	145	4	18	18	260	200	17.1
80	155	200	160	8	18	20	280	200	23
100	175	220	180	8	18	20	325	225	32
125	200	250	210	8	18	22	355	225	46
150	225	285	240	8	22	22	385	300	67
175	250	315	270	8	22	24	470	300	92
200	275	340	295	12	22	24	500	420	126
250	325	405	355	12	25	26	580	500	184
300	375	460	410	12	25	26	630	500	270

Series 2222 ... Globe
Series 3222 ... Angle



Series 2222



Series 3222

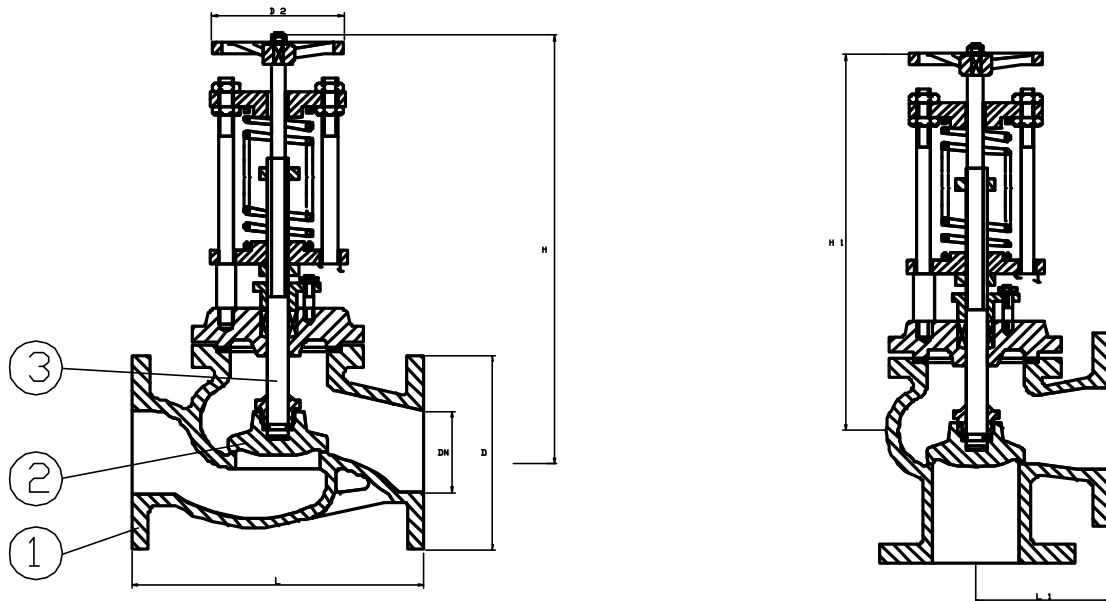
Manufactured as per DIN 86211
Flanges according to DIN2501-PN16

Part Nr.	Material	Code	Size DN	Nom. Pressure PN	Hydraulic Inspection	
					Body	Seat
1 - Body	Gunmetal	DIN 1705	40 to 65	16	25	16
2 - Disc	Gunmetal	DIN 1705				
3 - Stem	Brass	DIN 17672				
4 - Coupling	Brass	DIN 17672				

Type	Size	L	D	C	No.	h	t	H	D2	Kg
Series 2222	40	150	150	110	4	18	18	160	140	6.2
	50	165	165	125	4	18	18	155	140	6.8
	65	200	185	145	4	18	18	185	160	11.7
Series 3222	40	75	150	110	4	18	18	152	140	6.2
	50	75	165	125	4	18	18	140	140	6.5
	65	95	185	145	4	18	18	165	160	10.8

PN 16 Cast Steel Overboard Valve Spring Loaded

Series 2312 ... Globe
Series 3312 ... Angle



Flanges according to DIN2501-PN16

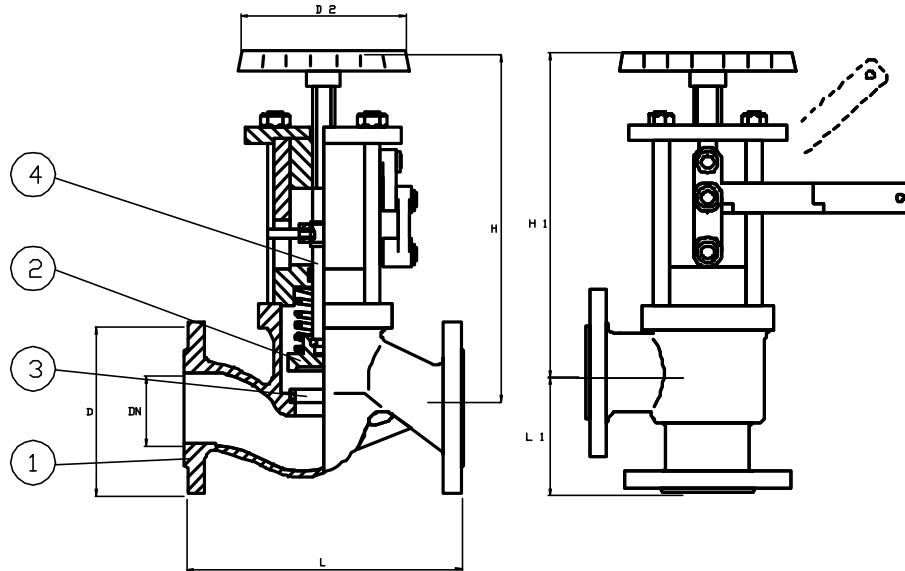
Part Nr.	Material	Code
1 - Body	Cast Steel	GSC-25N
2 - Disc	Stainless Steel	INOX
3 - Stem	Stainless Steel	INOX

Size DN	Nom. Pressure PN	Hydraulic Inspection	
		Body	Seat
20 to 150	16	25	16
200 to 300	10	16	10

Size	L	L 1	D	H	H 1	D 2	Weight	
							Globe	Angle
20	150	95	105	300	290	100	6 Kg	7 Kg
25	160	100	115	335	325	100	7 Kg	8 Kg
32	180	105	140	355	340	100	8 Kg	11 Kg
40	200	115	150	375	355	100	10 Kg	14 Kg
50	230	125	165	400	380	100	13 Kg	15 Kg
65	290	145	185	435	400	140	19 Kg	28 Kg
80	310	155	200	475	440	140	27 Kg	35 Kg
100	350	175	220	525	485	160	36 Kg	45 Kg
125	400	200	250	585	530	160	56 Kg	70 Kg
150	480	225	285	640	575	200	78 Kg	94 Kg
200	600	275	340	770	670	200	140 Kg	141 Kg
250	730	325	405	900	820	395	215 Kg	310 Kg
300	850	375	460	1240	1180	395	360 Kg	360 Kg

PN 40 Cast Steel Quick Closing Stainless Steel Trim

Series 2415 ... Globe
Series 3415 ... Angle



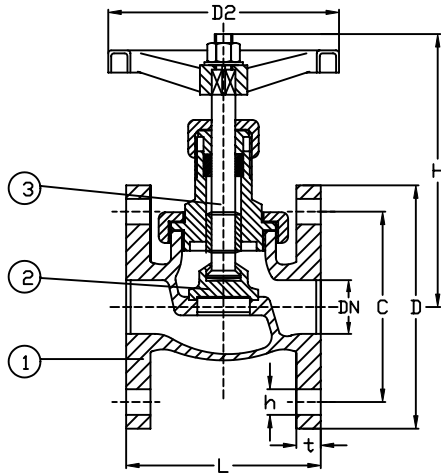
Flanges according to DIN2501-PN40

Part Nr.	Material	Code
1 - Body	Cast Steel	GSC-25N
2 - Disc	Stainless Steel	INOX
3 - Seat	Stainless Steel	INOX
4 - Stem	Stainless Steel	INOX

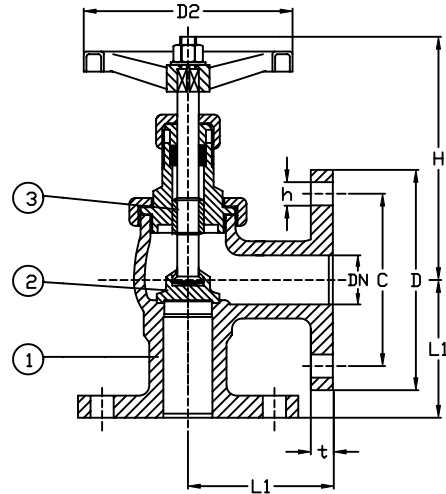
Size DN	Spring loaded Shut-off Pressure	Working Pressure
15 to 80	2.0 Bar	40 Bar
100 to 150	1.2 Bar	40 Bar

Size DN	L	L 1	D	H	H 1	D 2	Weight	
							Globe	Angle
15	130	90	95	230	200	100	6 Kg	6 Kg
20	150	95	105	300	290	100	7 Kg	7 Kg
25	160	100	115	335	325	100	8 Kg	8 Kg
32	180	105	140	355	340	100	11 Kg	11 Kg
40	200	115	150	375	355	100	14 Kg	14 Kg
50	230	125	165	400	380	100	19 Kg	18 Kg
65	290	145	185	435	400	140	31 Kg	30 Kg
80	310	155	200	475	440	140	34 Kg	36 Kg
100	350	175	220	525	485	160	49 Kg	50 Kg
125	400	200	250	585	530	160	71 Kg	71 Kg
150	480	225	285	640	575	200	99 Kg	101 Kg

Series 2522 ... Globe
Series 3522 ... Angle



Series 2522



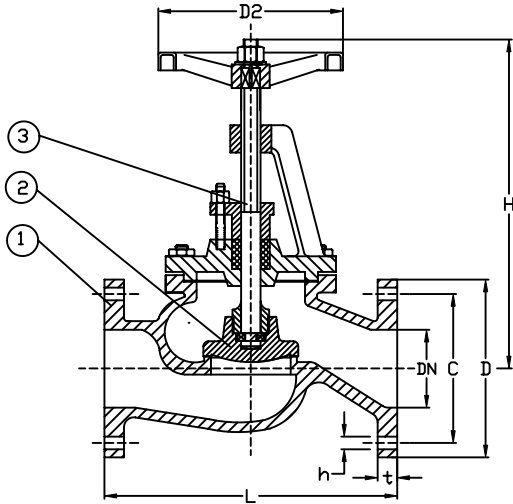
Series 3522

Flanges according to DIN2501-PN16

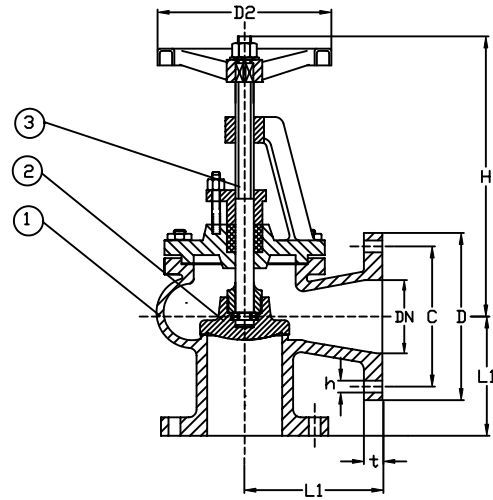
Part Nr.	Material	Code	Hydraulic Inspection	
			Body	Seat
1 - Body	Gunmetal	DIN 1705	25	16
2 - Disc	Gunmetal	DIN 1705		
3 - Stem	Brass	DIN 17672		
Size	Nom. Pressure			
DN	PN			
15 to 100	16			

Size	L	L1	D	C	No.	h	t	H	D2	2522	3522
										Kg	Kg
15	70	65	95	65	4	14	14	115	60	1.5	1.9
20	80	70	105	75	4	14	16	125	70	2.3	3
25	90	75	115	85	4	14	16	140	90	2.7	3.8
32	105	90	140	100	4	18	18	155	90	4.5	5.7
40	120	100	150	110	4	18	19	175	110	6.3	6.2
50	140	105	165	125	4	18	20	195	120	8	9.7
65	180	115	185	145	4	18	20	225	160	11.6	12.2
80	200	125	200	160	8	18	22	225	160	16	16
100	230	-	220	180	8	18	24	280	160	21	-

Series 2722 ... Globe
Series 3722 ... Angle



Series 2722



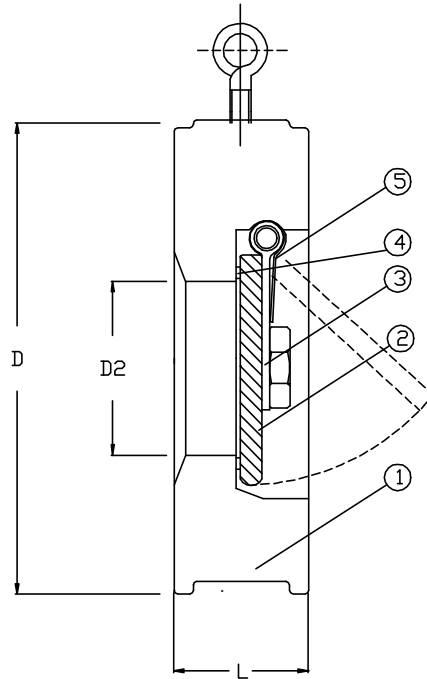
Series 3722

Flanges according to DIN2501-PN16

Part Nr.	Material	Code	Size DN	Nom. Pressure PN	Hydraulic Inspection	
					Body	Seat
1 - Body	Gunmetal	DIN 1705	15 to 175	16	25	16
2 - Stem	Brass	DIN 17672				
3 - Disc	Gunmetal	DIN 1705	200 to 300	10	16	10

Size	L	L1	D	C	No.	h	t	H	D2	2722	3722
										Kg	Kg
15	120	65	95	65	4	14	14	160	100	4	4
20	120	65	105	75	4	14	16	160	100	5	5
25	140	70	115	85	4	14	16	175	125	6	6
32	150	90	140	100	4	18	18	175	125	8	8
40	155	90	150	110	4	18	19	210	150	10	10
50	180	105	165	125	4	18	20	215	150	13	12
65	200	115	185	145	4	18	20	235	200	23	23
80	240	125	200	160	8	18	22	275	200	32	31
100	270	145	220	180	8	18	24	325	225	42	41
125	320	170	250	210	8	18	26	360	225	62	65
150	370	200	285	240	8	22	26	405	300	88	89
175	450	225	315	270	8	22	28	520	300	106	96
200	500	250	340	295	8	22	30	600	420	136	127

Series 4012 ... Carbon Steel



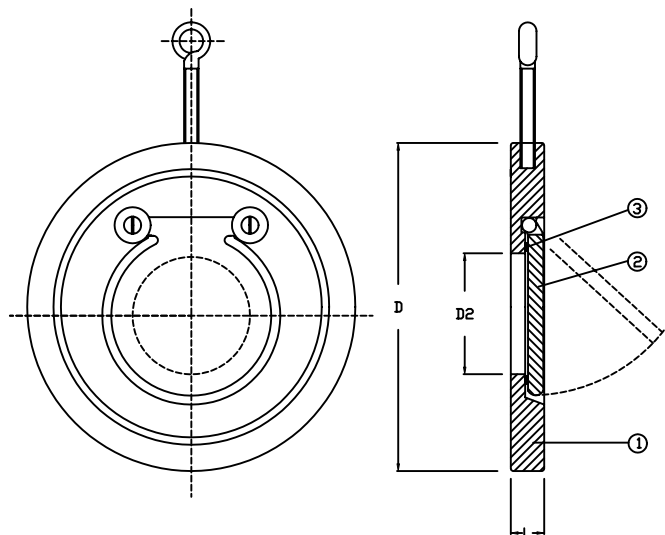
For mounting between flanges according to Din2501-PN16

Material		
Part Nr.	Material	Code
1 - Body	Carbon Steel	GSC - 25N
2 - Disc	Stainless Steel	AISI 316L
3 - Arm	Stainless Steel	AISI 316L
4 - Seat	Viton	FKM
5 - Spring	Stainless Steel	AISI 316L

Size DN	Nom. Pressure	Hydraulic Inspection	
	PN	Body	Seat
40 to 200	16	25	16
250 to 500	10	16	10

Size	L	D	D2	Kg
50	45	109	33	1.8
65	48	129	43	2.4
80	51	144	52	3.2
100	57	164	76	5.4
125	64	194	95	7.3
150	70	220	121	9.2
200	73	275	164	14.6
250	79	331	194	23.6
300	86	386	241	34.4
350	108	446	267	75.0
400	108	498	318	91.0
450	108	558	356	100.0
500	140	620	387	154.0

Series 4022 ... Bronze
Series 4052 ... Stainless Steel



For mounting between flanges according to DIN2501-PN16

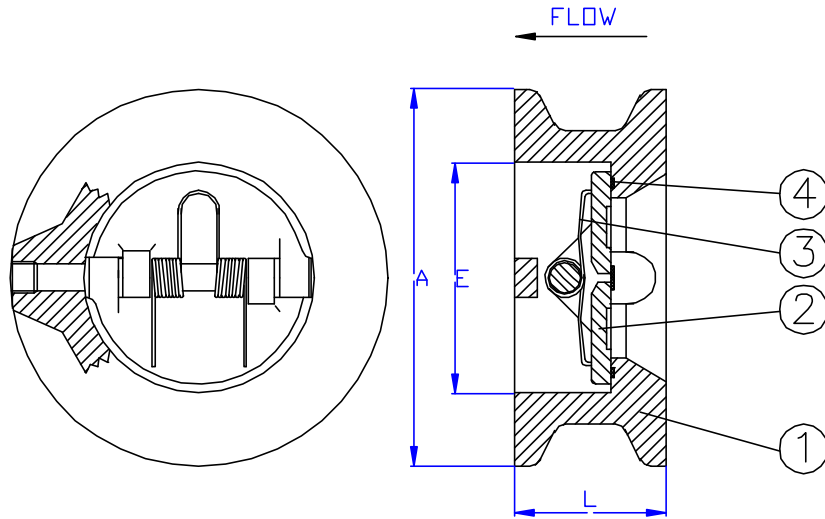
Size DN	Nom. Pressure PN	Hydraulic Inspection	
		Body	Seat
40 to 200	16	25	16
250 to 500	10	16	10

Available Material Combinations

Part Nr.	Material	Code
1 - Body	Gunmetal	DIN 1705
	Stainless Steel	AISI 316L
2 - Disc	Gunmetal	DIN 1705
	Stainless Steel	AISI 316L
3 - Seat	NBR	NBR
	EPDM	EPDM
	Viton	FKM
	Teflon	PTFE

Size	L	D	D2	Kg
40	16	94	26	.9
50	19	109	26	.9
65	19	129	38	1.3
80	19	144	47	1.5
100	19	164	70	2
125	19	195	92	3
150	19	221	114	4.8
200	29	276	143	11
250	29	330	190	15
300	38	386	214	25
350	44	446	263	37
400	51	498	305	55
450	60	558	342	65
500	64	620	400	105

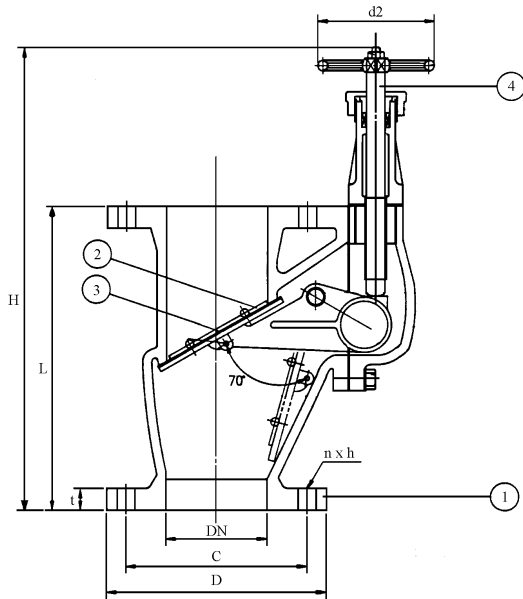
Series 4101 ... Cast Iron
 Series 4111 ... Cast Steel



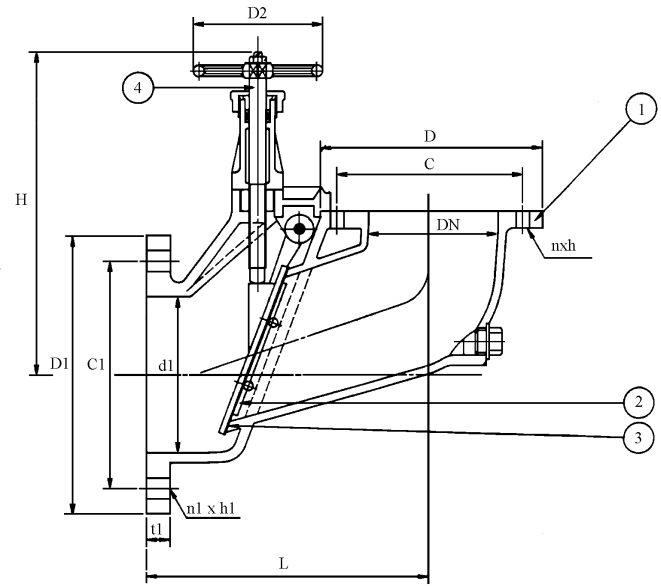
Part Nr.	Series 4101		Series 4111	
	Material	Code	Material	Code
1 - Body	Cast Iron	GG25	Cast Steel	GSC-25N
2 - Disc	Bronze	RG5	Stainless Steel	316
3 - Spring	Stainless Steel	316	Stainless Steel	316
4 - Seat Ring	NBR	NBR	NBR	NBR
	Viton	Viton		

Size	Series 4101	Series 4111	A	E	Kg
	L				
50	43	60	105	54	2.7
65	46	67	124	67	4.5
80	64	73	136	79	5.9
100	64	73	174	105	7.7
125	70	86	196	130	12
150	76	98	222	155	16
200	89	127	279	209	32
250	114	146	340	257	48
300	114	181	410	308	78
350	127	184	451	358	91
400	140	190	514	409	125
450	-	203	549	460	143
500	-	212	606	511	197

Series 4211 ... Vertical
Series 4311 ... Angle



Series 4211



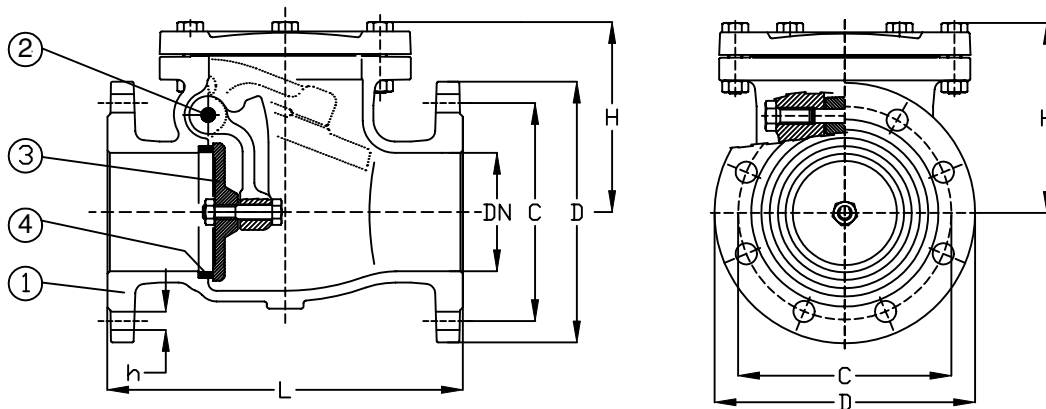
Series 4311

Flanges according to DIN2501-PN10

Part Nr.	Material	Code	Hydraulic Inspection		
			Body	Seat	
1 - Body	Cast Steel	GSC-25N	5.1	2.0	
2 - Disc	Bronze	DIN 1705			
3 - Disc Gasket	NBR	NBR			
4 - Stem	Brass	DIN 17672			
			Size	Nom. Pressure	
			DN	PN	
			50 to 200	10	

Type	Size	L	D	C	No.	h	t	d1	D1	C1	No1	h1	t1	H	D2	Kg.
Vertical	50	200	165	125	4	18	18	-	-	-	-	-	-	356	100	19.9
	65	240	185	145	4	18	18	-	-	-	-	-	-	396	100	28.7
	80	260	200	160	8	18	20	-	-	-	-	-	-	450	100	32.4
	100	300	220	180	8	18	20	-	-	-	-	-	-	490	100	48.7
	125	350	250	210	8	18	22	-	-	-	-	-	-	572	125	73.1
	150	400	285	240	8	22	22	-	-	-	-	-	-	622	125	104
	200	500	340	295	8	22	24	-	-	-	-	-	-	720	125	189
Angle	50	180	165	125	4	18	18	68	200	160	8	18	20	210	100	11.5
	65	200	185	145	4	18	18	85	220	180	8	18	20	220	100	13.5
	80	215	200	160	8	18	20	100	250	210	8	18	22	233	100	18
	100	250	220	180	8	18	20	130	285	240	8	22	22	255	100	27
	125	290	250	210	8	18	22	158	315	270	8	22	22	292	125	36.5
	150	330	285	240	8	22	22	190	340	295	8	22	24	316	125	480

Series 4402 ... Regular



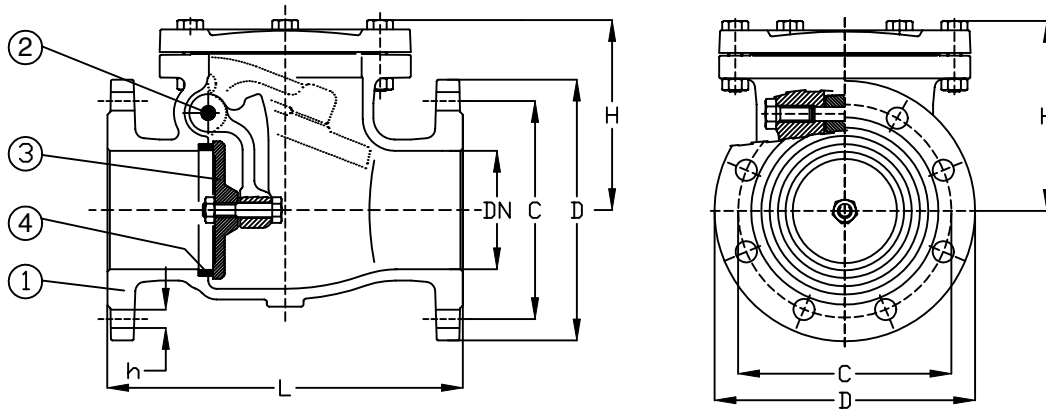
Face to Face according to DIN 3202-F6
Flanges according to DIN2501-PN16

Part Nr.	Material	Code	Size	Nom. Pressure	Hydraulic Inspection	
			DN	PN	Body	Seat
1 - Body	Cast Iron	GG25	40 to 300	16	24	16
2 - Hinge	Cast Iron	GG25				
3 - Disc	Brass	UNI 5035	350 to 400	10	16	10
4 - Seat	Brass	UNI 5035				

Size	L	D	C	No.	h	t	H	Kg
40	180	150	110	4	18	16	115	19
50	200	165	125	4	18	18	125	22
65	240	185	145	4	18	18	130	29
80	260	200	160	8	18	20	140	30
100	300	220	180	8	18	20	160	33
125	350	250	210	8	18	22	180	45
150	400	285	240	8	22	22	200	57
200	500	340	295	12	22	24	220	155
250	600	405	355	12	26	26	290	185
300	700	460	410	12	26	28	330	307
350*	800	505	460	16	22	26	435	413
400*	900	565	515	16	26	26	475	520

*PN10 Drilling for sizes DN 350 and DN 400

Series 4412 ... Regular

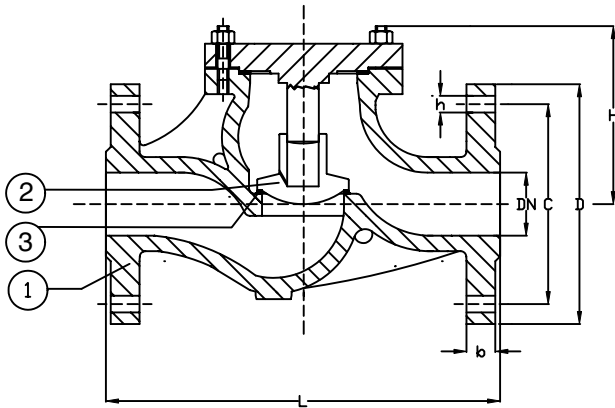


Face to Face according to DIN 3202-F6
Flanges according to DIN2501-PN16

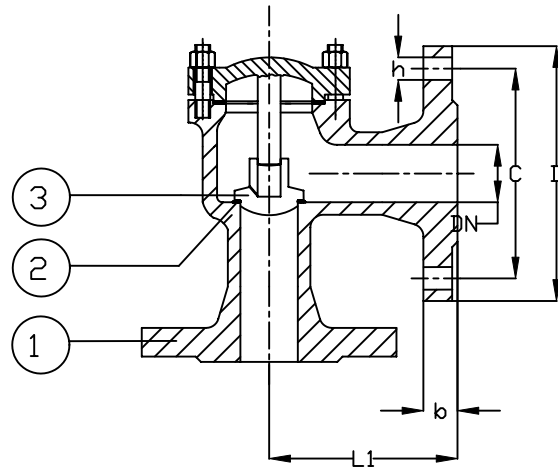
Part Nr.	Material	Code	Size	Nom. Pressure	Hydraulic Inspection	
			DN	PN	Body	Seat
1 - Body	Cast Steel	GSC-25N	40 to 250	16	24	16
2 - Hinge	Stainless Steel	AISI 410				
3 - Disc	Stainless Steel	AISI 410				
4 - Seat	Stainless Steel	AISI 410				

Size	L	D	C	No.	h	t	H	Kg
40	180	150	110	4	18	16	105	12
50	200	165	125	4	18	18	110	14
65	240	185	145	4	18	18	140	19
80	260	200	160	8	18	20	145	23
100	300	220	180	8	18	20	160	35
125	350	250	210	8	18	22	180	43
150	400	285	240	8	22	22	195	67
200	500	340	295	12	22	24	245	99
250	600	405	355	12	26	26	285	149

Series 4602 ... Globe
Series 4702 ... Angle



Series 4602



Series 4702

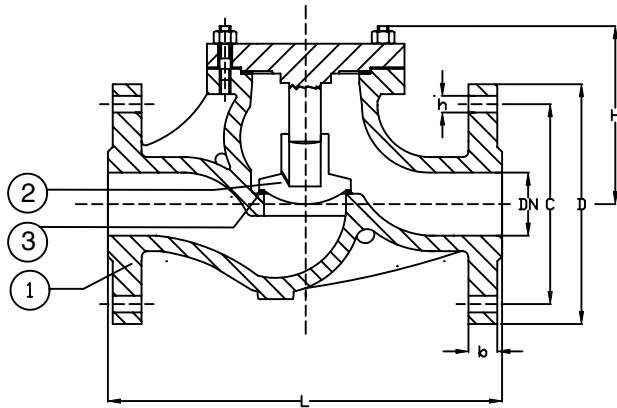
Face to Face according to DIN 3202-F1
Face to Center according to DIN 3202 - F8
Flanges according to DIN2501-PN16

Part Nr.	Material	Code
1 - Body	Cast Iron	GG25
2 - Disc	Stainless Steel	AISI 410
3 - Seat	Stainless Steel	AISI 410

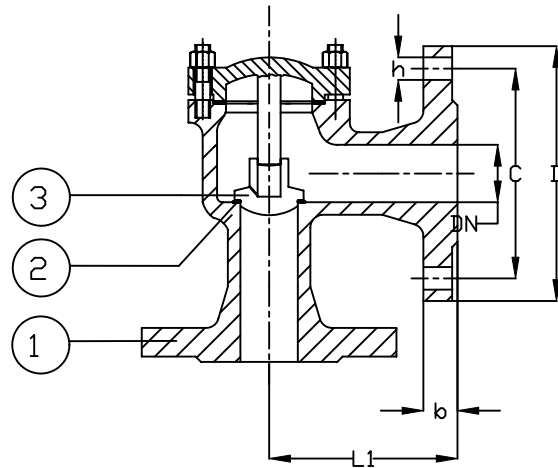
Size DN	Nom. Pressure PN	Hydraulic Inspection	
		Body	Seat
15 to 200	16	24	16

Size	L	L1	D	C	No.	h	t	H	Kg
15	130	90	95	65	4	14	14	75	2.2
20	150	95	105	75	4	14	16	75	3
25	160	100	115	85	4	14	16	75	3.6
32	180	105	140	100	4	18	16	80	5
40	200	115	150	110	4	18	16	85	7.5
50	230	125	165	125	4	18	18	95	9.5
65	290	145	185	145	4	18	18	120	16
80	310	155	200	160	8	18	20	130	20
100	350	175	220	180	8	18	20	155	31
125	400	200	250	210	8	18	22	180	48
150	480	225	285	240	8	22	22	200	67
200	600	275	340	295	12	22	24	260	152

Series 4615 ... Globe
Series 4715 ... Angle



Series 4615



Series 4715

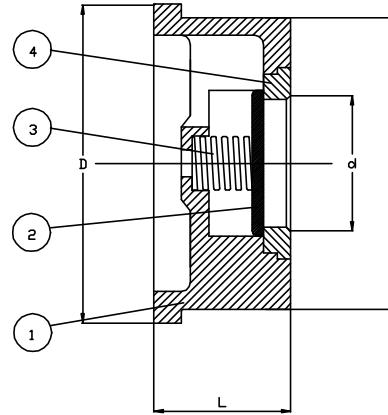
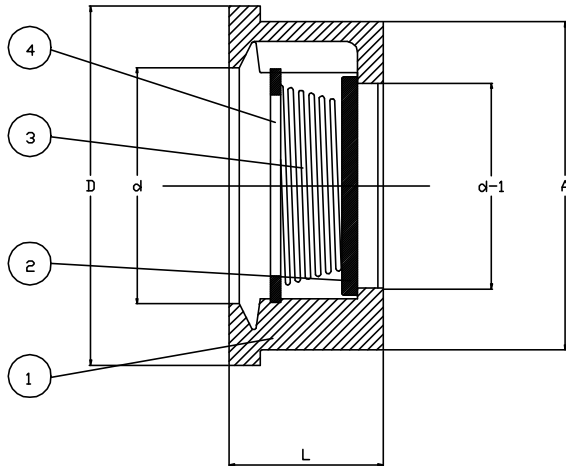
Face to Face according to DIN 3202-F1
Face to Center according to DIN 3202-F8
Flanges according to DIN2501-PN40

Part Nr.	Material	Code
1 - Body	Cast Steel	GSC-25N
2 - Disc	Stainless Steel	AISI 410
3 - Seat	Stainless Steel	AISI 410

Size DN	Nom. Pressure PN	Hydraulic Inspection	
		Body	Seat
15 to 200	40	60	40

Size	L	L1	D	C	No.	h	t	H	Kg
15	130	90	95	65	4	14	16	75	3
20	150	95	105	75	4	14	18	75	4
25	160	100	115	85	4	14	18	75	5
32	180	105	140	100	4	18	18	80	7
40	200	115	150	110	4	18	18	85	9.7
50	230	125	165	125	4	18	20	95	13
65	290	145	185	145	8	18	22	120	21
80	310	155	200	160	8	18	24	130	29
100	350	175	235	190	8	22	24	155	43
125	400	200	270	220	8	25	26	180	70
150	480	225	300	250	8	25	28	200	98
200	600	275	375	320	12	30	34	260	188

Series 4822 ... Bronze ... PN 6 - PN 16
Series 4865 ... Stainless Steel ... PN 6 - PN 40



Face to face according to DIN3202 K4

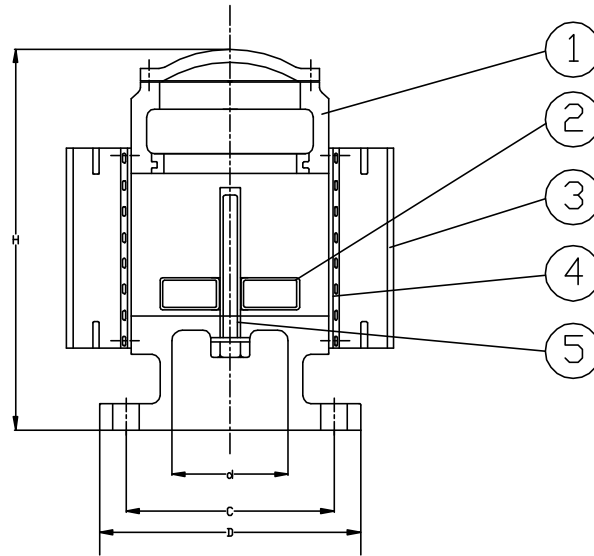
Part Nr.	Material	Code
1 - Body	Bronze	B-584
2 - Disc	Stainless Steel	AISI 316 L
3 - Spring	Stainless Steel	AISI 316 L
4 - Spring stop ring	Stainless Steel	AISI 316 L

Part Nr.	Material	Code
1 - Body	Stainless Steel	AISI 316 L
2 - Disc	Stainless Steel	AISI 316 L
3 - Spring	Stainless Steel	AISI 316 L
4 - Seat	Stainless Steel	AISI 316 L

DN 4822						
Size	d	d - 1	D	A	L	Weight
15	32	15	53	37	16	0.11
20	39	20	63	45	19	0.14
25	46	24	73	55	22	0.26
32	57	31	84	65	28	0.36
40	65	38	94	74	32	0.46
50	80	47	107	89	40	0.90
65	97	62	126	107	46	1.60
80	113	77	144	126	50	2.10
100	127	95	162	147	60	2.80

DN 4865					
Size	d	D	A	L	Weight
15	15	53	45	16	0.11
20	20	63	55	19	0.14
25	24	73	65	22	0.26
32	31	84	74	28	0.40
40	38	94	84	32	0.60
50	47	107	98	40	1.00
65	62	126	118	46	1.30
80	77	144	130	50	1.90
100	95	162	156	60	3.40

Series 4901 ... Cast Iron



Flanges according to DIN2501-PN10

Part Nr.	Material	Code
1 - Body	Cast Iron	FC
2 - Disc	Stainless Steel	SUS 304
3 - Screen Cover	Stainless Steel	SS 41
4 - Wire Net	Stainless Steel	SUS 304
5 - Guide Bar	Stainless Steel	SUS 304

Size	d	D	C	Holes	H	KG
100	100	220	180	8 x 18	231	18
125	125	250	210	8 x 18	266	28
150	150	285	240	8 x 22	311	39
200	200	340	295	8 x 22	367	74
250	250	395	350	12 x 22	453	105
300	300	445	400	12 x 22	524	146
350	350	505	460	16 x 22	595	199

Cast Iron

Series 6202 ... PN 16

Cast Steel

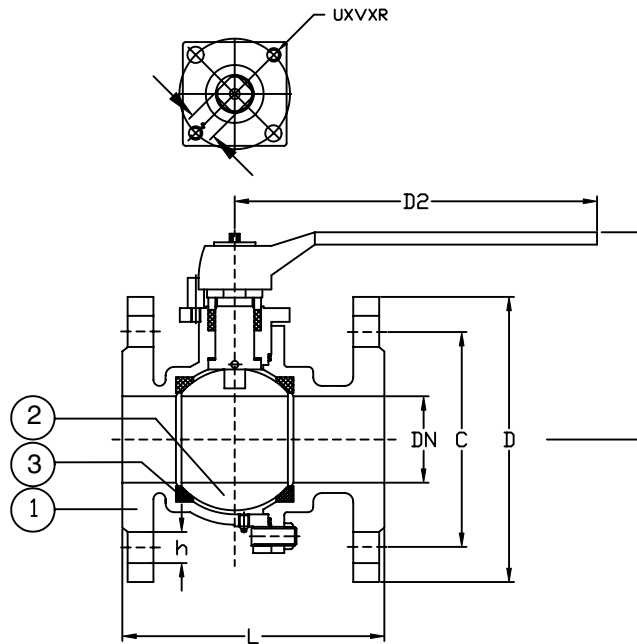
Series 6212 ... PN 16

Series 6215 ... PN 40

Stainless Steel

Series 6252 ... PN 16

Series 6255 ... PN 40



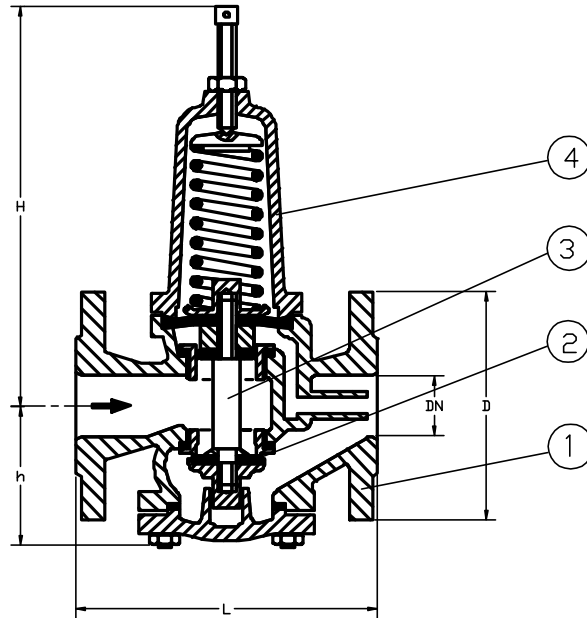
Face to Face according to DIN 3202-F4/5

Flanges according to DIN2501-PN16 & 40

Part Nr.	Cast Iron		Cast Steel		Stainless Steel		Size DN	Nominal Pressure PN	Hydraulic Inspection	
	Material	Code	Material	Code	Material	Code			Body	Seat
1 - Body	Cast Iron	GG25	Steel	WCB	SS316	CF8M	15 -150	16	25	16
2 - Ball	Brass	Ms58	SS316	CF8M	SS316	CF8M				
3 - Seat	Teflon	PTFE	Teflon	PTFE	Teflon	PTFE	15 -150	40	64	40

Size	DIN PN16 (Iron - Steel - Stainless Steel)			DIN PN40 (Steel - Stainless Steel)					Iron Kg	Steel &SS Kg					
	L	H	D2	D	C	No.	h	t			D	C	No.	h	t
15	115	60	130	Same as DIN PN40			14	95	65	4	14	16	2.0	2.5	
20	120	70	130	Same as DIN PN40			16	105	75	4	14	18	2.5	3.5	
25	125	84	225	Same as DIN PN40			16	115	85	4	14	18	3.2	4.5	
32	130	89	225	Same as DIN PN40			16	140	100	4	18	18	4.4	7	
40	140	95	225	Same as DIN PN40			16	150	110	4	18	18	5.5	8	
50	150	130	333	Same as DIN PN40			18	165	125	4	18	20	8.5	12	
65	170	140	333	Same as DIN PN40			18	185	145	8	18	22	11.5	16	
80	180	175	395	Same as DIN PN40			20	200	160	8	18	24	15.5	21	
100	190	190	395	220	180	8	18	20	235	190	8	22	24	20	40
125	325	320	600	250	210	8	18	22	270	220	8	25	26	30	60
150	350	350	800	285	240	8	22	22	300	250	8	25	28	36	100

Series 80 ... Flanged

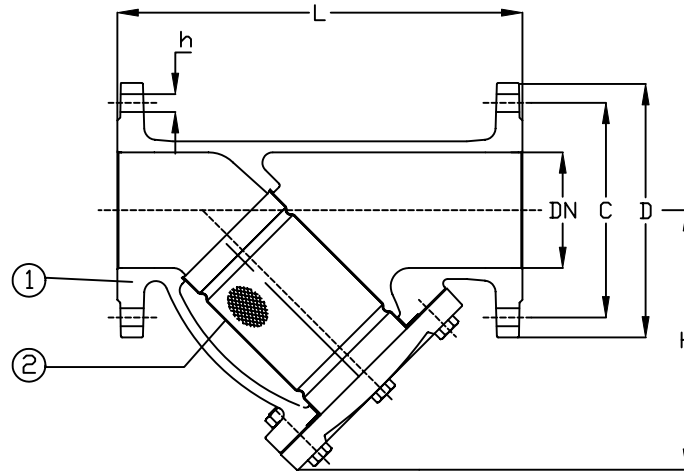


Flanges according to DIN2501

Part Nr.	Material	Code	Size	Max. Inlet Pressure	Reducer Pressure
1 - Body	Bronze	DIN 1705	DN15 - DN40	30 / 25 Bar	1.5 - 12 Bar
2 - Disc & Seat	Synthetic Material	Synthetic			
3 - Stem	Brass	DIN 17672	DN50 - DN150	16 Bar	1.5 - 6 Bar
4 - Cap	Bronze	DIN 1705			

Size	L	D	C	Holes	H	Weight
15	130	95	65	4 x 14	103	6.4
20	150	105	75	4 x 14	103	7.9
25	160	115	85	4 x 14	141	12.3
32	180	140	100	4 x 18	141	16.5
40	200	150	110	4 x 18	172	20.8
50	230	165	125	4 x 18	330	35.6
65	290	185	145	4 x 18	370	62.0
80	310	200	160	8 x 18	400	91.5
100	350	220	180	8 x 18	470	147.5
125	400	250	210	8 x 18	580	226.5
150	480	285	240	8 x 22	660	330

Series 8202 ... Cast Iron
Series 8215 ... Cast Steel

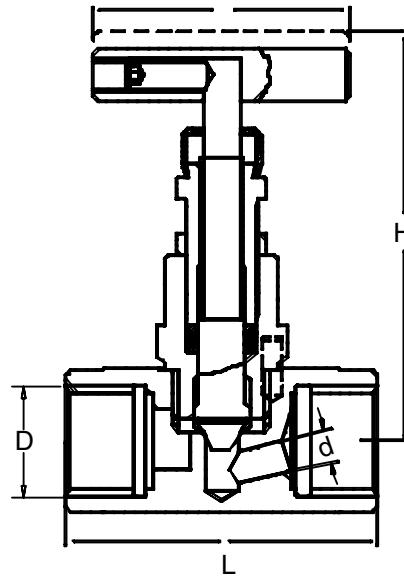


Face to Face according to DIN 3202-F1
Flanges according to DIN2501-PN16

Part Nr.	Material	Code	Size DN	Nom. Pressure PN	Hydraulic Inspection	
					Body	Seat
1 - Body 2 - Strainer	Cast Iron Stainless Steel	GG25 AISI 304	15 to 150	16	25	16
1 - Body 2 - Strainer	Cast Steel Stainless Steel	GSC-25N AISI 304	15 to 150	40	64	40

Size	L	H	DIN PN16					DIN PN40					Steel Kg	Iron Kg	
			D	C	No.	h	t	D	C	No.	h	t			
015	130	75	Same as DIN PN40					14	95	65	4	14	16	4	3.5
020	150	75	Same as DIN PN40					16	105	75	4	14	18	5	4.5
025	160	90	Same as DIN PN40					16	115	85	4	14	18	6	5
032	180	90	Same as DIN PN40					16	140	100	4	18	18	8	7.2
040	200	110	Same as DIN PN40					16	150	110	4	18	18	10	9
050	230	120	Same as DIN PN40					18	165	125	4	18	20	13	11.5
065	290	140	Same as DIN PN40					18	185	145	8	18	22	19	17
080	310	170	Same as DIN PN40					20	200	160	8	18	24	24	22
100	350	220	220	180	8	18	20	235	190	8	22	24	35	32	
125	400	260	250	210	8	18	22	270	220	8	25	26	51	48	
150	480	300	285	240	8	22	22	300	250	8	25	28	71	67	

Series 84

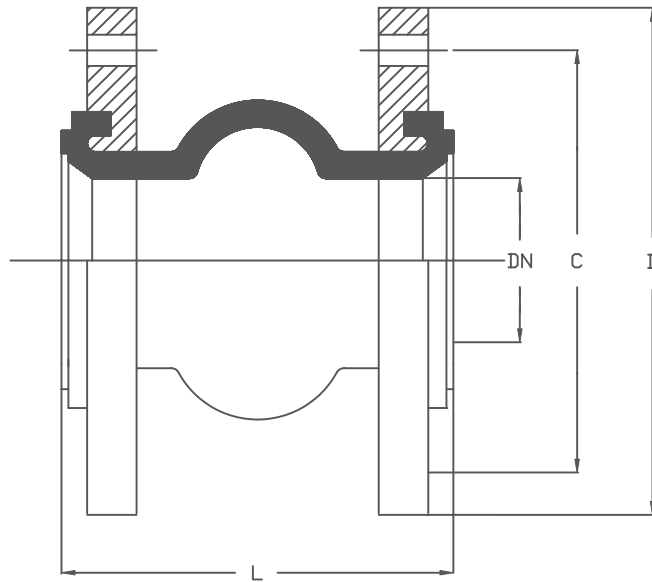


Part Nr.	Material	Code
1 - Body	Stainless Steel	1.4305
2 - Disc	Stainless Steel	1.4305
3 - Stem	Stainless Steel	1.4305

Working Pressure	
350 Bar	20° Celsius
200 Bar	100° Celsius

Size	L	d	H	M	Kg
1/8"	50	3	88	50	0.3
1/4"	50	3	88	50	0.3
3/8"	57	4	88	50	0.3
1/2"	60	6	90	50	0.4
3/4"	80	9	105	63	0.7
1"	80	9	108	63	0.8

Series XRD10 ... Rubber



Flanges according to DIN2501-PN10

Part Nr.	Material
1 - Body	NBR Rubber
2 - Flanges	Galvanized Mild Steel

Size	L	D	C	Holes	KG
32	95	140	100	4 x 18	3.3
40	95	150	110	4 x 18	3.3
50	105	165	125	4 x 18	4.1
65	115	185	145	4 x 18	4.5
80	130	200	160	8 x 18	6.8
100	135	220	180	8 x 18	7.3
125	170	250	210	8 x 18	8.2
150	180	285	240	8 x 22	12.0
200	205	340	295	8 x 22	17
250	240	395	350	12 x 22	24
300	260	445	400	12 x 22	26

Available Materials for Butterfly Valve Series: 50, 52, 53, 54, 55, 56 and 58

<u>Part</u>	<u>Material</u>	<u>DIN Code</u>	<u>ASTM Code</u>
Body:	Cast Iron	GG 25	ASTM A126 Cl. B
	Ductile Iron	GGG 40	ASTM A536 Gr 65-45-12
	Carbon Steel	GS-C 25	ASTM A216 WCB
	Stainless Steel	G-X6 CrNiMo 18.10	ASTM A351 Gr CF8-CF8M
	Bronze	RG5	ASTM B62
Disc:	Ductile Iron	GGG 40	ASTM A536 Gr 65-45-12
	Stainless Steel	G-X6 CrNiMo 18.10	ASTM A351 Gr CF8-CF8M
	Aluminum Bronze	G-CuAl10Ni	ASTM B 148 Cl. C 95500
Stem:	Stainless Steel	X2 CrNiMo 18.10	ASTM A276 316
Seat:	NBR	Nitrile Rubber	Temp Range -25° C / + 100° C
	EPDM	Copolymer EPDM	Temp Range -35° C / + 130° C
	Viton	Fluorelastomer	Temp Range -20° C / + 200° C
	Teflon	PTFE	Temp Range -80° C / + 232° C
Packing:	NBR	Nitrile Rubber	Temp Range -25° C / + 100° C
	EPDM	Copolymer EPDM	Temp Range -35° C / + 130° C
	Viton	Fluorelastomer	Temp Range -20° C / + 200° C

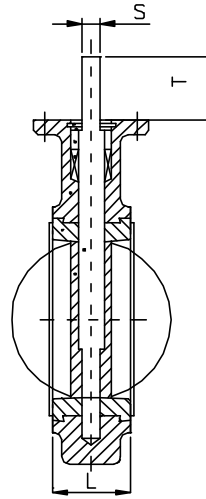
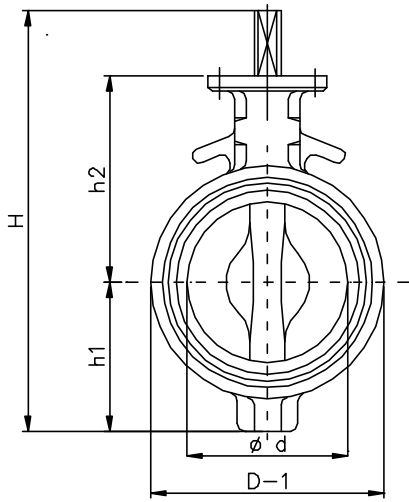
Chemical Agent	Bronze	Cast Iron	Cast Steel	SS316	Monel	EPDM	NBR	VITON	Natural Rubber
Acetone	E	G	G	E	E	G	U	U	E
Acetylene	E	G	G	E	-	U	F	U	-
Alcohol methyl	E	U	-	E	E	E	G	U	G
Alumina	G	G	-	G	G	E	E	G	G
Amonia solutions	U	F	-	E	G	E	G	U	G
Benzene	E	F	G	E	G	U	U	G	U
Bunker oil	F	U	U	E	E	U	F	F	U
Carbon dioxide	E	F	G	E	-	G	G	E	G
Chlorobenzene	E	F	F	E	E	U	U	G	U
Crude oil	U	U	G	E	E	U	F	E	U
Diesel fuel	F	U	E	E	E	U	E	E	U
Ethyl glycol	E	G	G	E	E	E	E	E	G
Fruit juices	U	U	-	E	-	G	G	-	-
Fuel oil	E	F	E	E	G	U	F	E	U
Gasoline	G	F	G	E	G	U	E	E	U
Glycerine glycerol	G	F	E	E	G	-	E	E	-
Hydraulic oil (petroleum based)	U	U	E	F	F	U	F	F	F
Hydraulic oil (water based)	E	U	E	E	U	E	F	U	F
Kerosene	E	E	E	E	E	U	E	E	U
Lubricating oil	E	E	E	E	E	U	E	E	U
Milk	-	U	E	E	-	E	E	E	E
Mineral oil	-	F	E	F	-	U	E	E	U
Napthalene	E	F	E	E	-	U	U	G	U

Chemical Agent	Bronze	Cast Iron	Cast Steel	SS316	Monel	EPDM	NBR	VITON	Natural Rubber
Natural gas	E	G	E	E	-	U	E	E	U
Olive Oil	-	-	E	E	-	G	E	E	U
Oxygen 200 F	E	E	E	E	E	E	G	E	F
Oxygen 300 F	E	E	E	E	E	U	U	G	U
Petroleum	F	U	E	G	G	U	E	E	U
Phenol	-	U	E	E	E	U	U	E	U
Potassium nitrate	F	F	E	E	G	E	E	E	E
Potassium phosphate	-	U	-	G	-	-	E	E	-
Propane	E	F	E	E	-	U	E	E	-
Resins	E	U	-	E	-	-	-	G	F
Sea Water	G	F	F	G	E	E	G	E	-
Sodium chloride	E	U	G	E	E	E	E	E	E
Sodium nitrate	G	U	G	E	G	E	G	-	G
Steam 300 F	G	U	E	E	E	E	U	U	U
Sulphur molten	U	U	F	G	U	E	-	E	-
Sulphur dioxite	F	U	E	E	E	G	U	E	U
Sulphur trioxide	-	U	G	E	-	-	U	E	U
Tar	E	F	E	E	E	U	U	G	U
Turpentine	G	U	G	E		U	U	E	U
Varnish	E	E	E	E	E	U	F	E	U
Water distilled	U	U	G	E	-	E	G	-	-
Water fresh	E	F	G	E	E	E	G	-	E
Water sewage	E	U	G	E	E	E	G	-	-

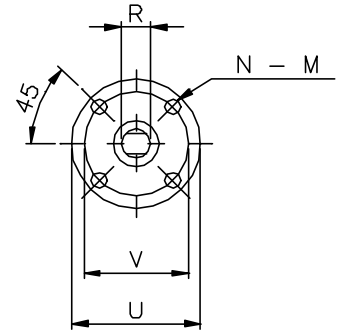
- (E) - Excellent
- (G) - Good
- (F) - Fair
- (U) - Unsatisfactory
- (-) - Insufficient Data Available

The information stated above is intended as a recommendation and suggestion based on current available data. World Wide Metric, Inc. assumes no liability or responsibility for results or damages incurred through the application of the data presented.

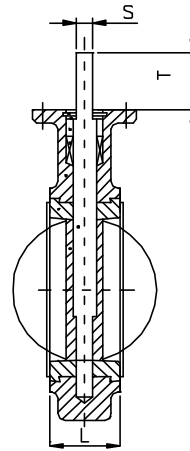
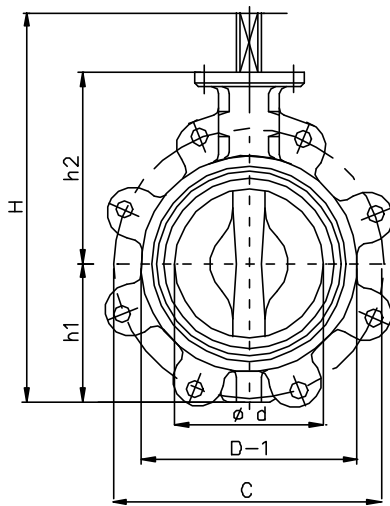
Wafer type.....Series 50



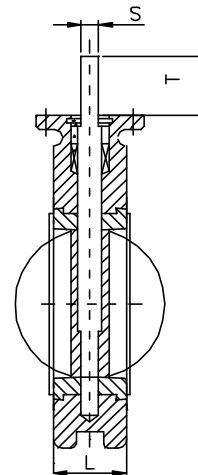
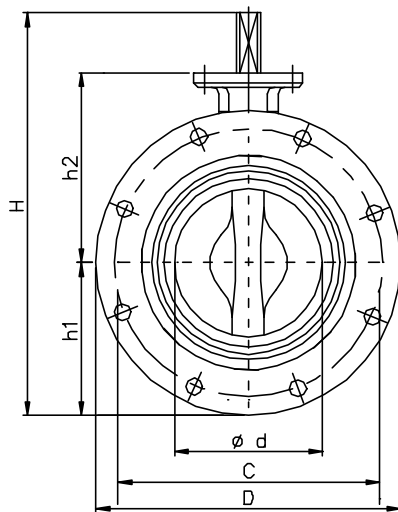
Top Flange to ISO5711



Lug type.....Series 52



Flanged type...Series 55



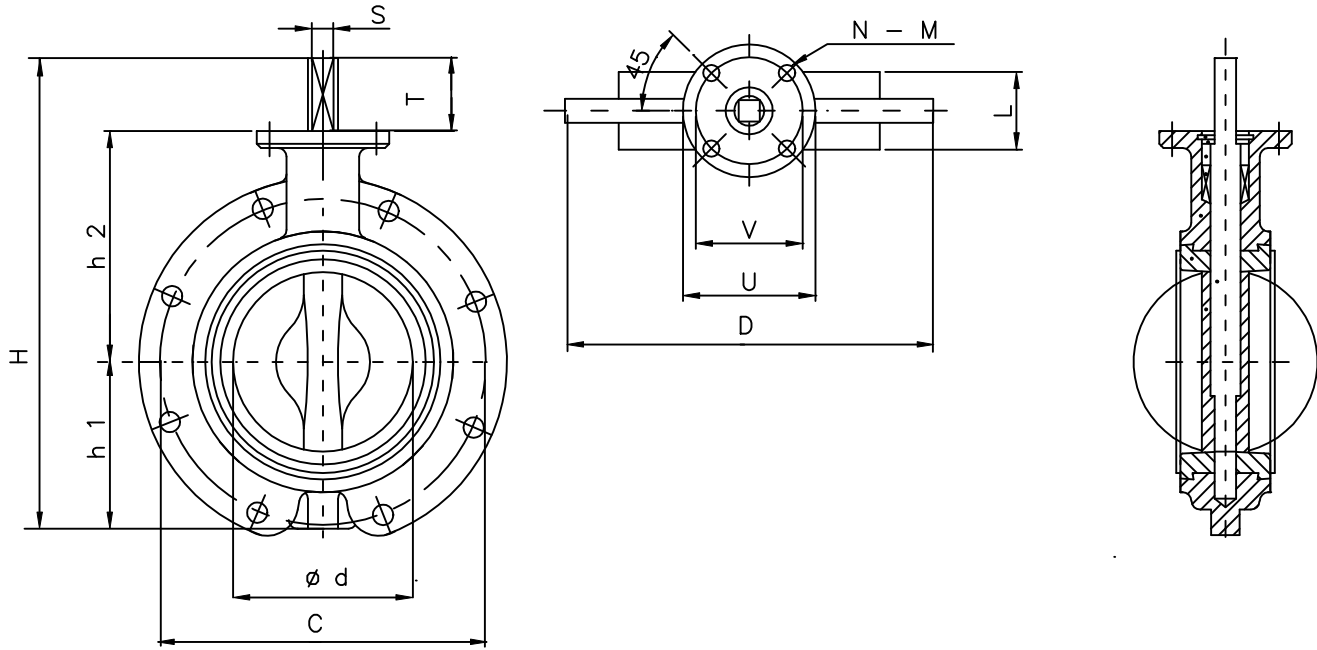


Butterfly Valve, Wafer, Lug & Flanged Series ISO 5752 S - 20

Size	Dimensions						Stem			Top flange to ISO 5211			
	D-1	d	L	H	h1	h2	R	S	T	U	V	N	M
40	86	40	33	205	58	124	10	8	-	90	70	4	9
50	102	52	43	240	78	130	14	10	-	90	70	4	9
65	115	65	46	247	88	130	14	10	-	90	70	4	9
80	128	80	46	266	93	143	14	10	-	90	70	4	9
100	153	100	52	298	105	161	16	10	-	90	70	4	9
125	183	125	56	331	125	177	19	12	-	90	70	4	9
150	210	150	56	363	140	191	19	15	-	90	70	4	9
200	259	198	60	412	163	217	22	15	-	90	70	4	9
250	328	248	68	506	205	267	28	18	-	125	102	4	12
300	374	298	78	538	249	295	28	20	-	125	102	4	12
350	416	327	78	675	271	324	32	20	45	125	102	4	12
400	475	387	102	817	343	369	35	-	60	175	140	4	18
450	535	438	114	877	366	406	38	-	60	175	140	4	18
500	586	477	127	1008	421	485	45	-	60	210	165	4	22
600	695	560	154	1180	493	570	50	-	60	210	165	4	22
700	800	690	165	1355	580	574	70	-	120	300	254	8	18
750	857	729	190	1445	656	615	70	-	120	300	254	8	18
800	920	785	190	1495	630	669	80	-	140	300	254	8	18
900	1020	900	203	1625	690	671	80	-	140	350	298	8	22
1000	1125	990	216	1802	790	842	90	-	140	350	298	8	22

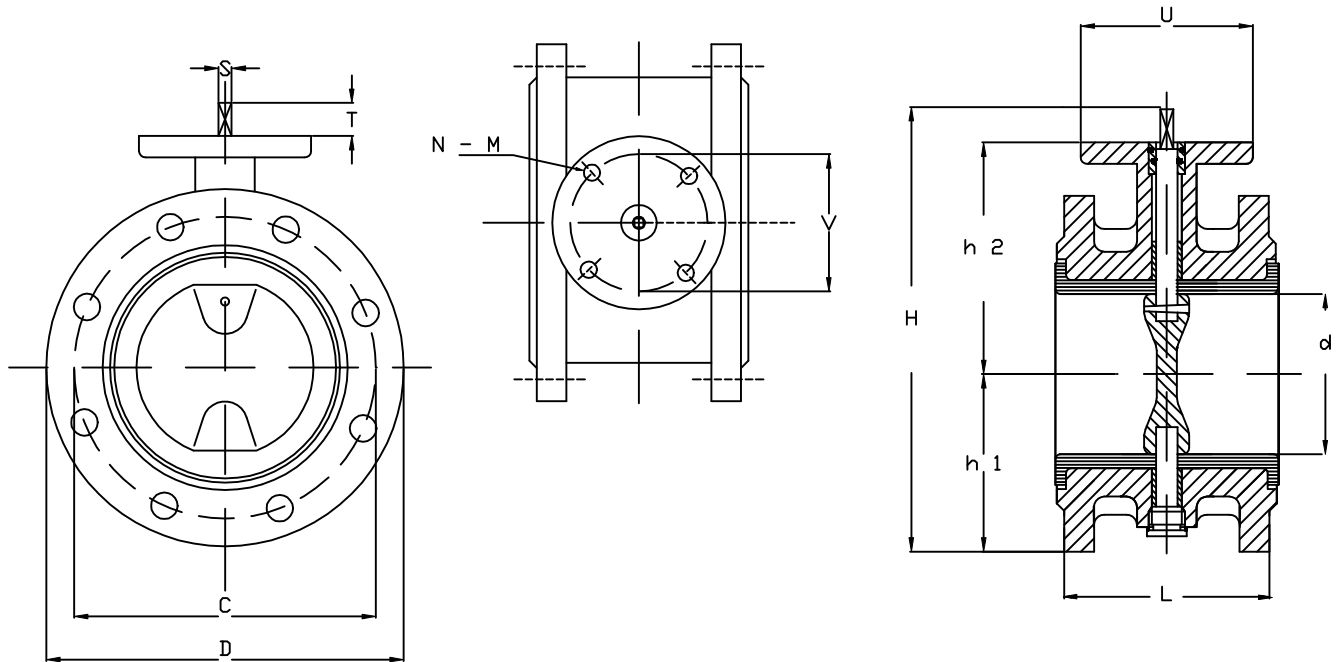
Size	Weight			PN 6			PN 10			PN 16		
	Wafer	Lug	Flanged	D	C	Bolt	D	C	Bolt	D	C	Bolt
40	3.1	3.5	6.2	130	100	4x14	150	110	4x18	150	110	4x18
50	3.7	4.1	6.8	140	110	4x14	165	125	4x18	165	125	4x18
65	4	5.5	8.9	160	130	4x14	185	145	4x18	185	145	4x18
80	4.4	6.8	10.2	190	150	4x18	200	160	8x18	200	160	8x18
100	5.9	8.6	14.5	210	170	4x18	220	180	8x18	220	180	8x18
125	8.9	10.5	16.8	240	200	8x18	250	210	8x18	250	210	8x18
150	9	12.5	19.8	265	225	8x18	285	240	8x22	285	240	8x22
200	11	21.4	31.2	320	280	8x18	340	295	8x22	340	295	12x22
250	20	29.3	46.2	375	335	12x18	395	350	12x22	405	355	12x26
300	32	44	58.8	440	395	12x22	445	400	12x22	460	410	12x26
350	43	62.2	67	490	445	12x22	505	460	16x22	520	470	16x26
400	64	112	96	540	495	16x22	565	515	16x26	580	525	16x30
450	99	153	147	595	550	16x22	615	565	20x26	640	585	20x30
500	115	199	161	645	600	20x22	670	620	20x26	715	650	20x33
600	215	283	292	755	705	20x26	780	725	20x30	840	770	20x36
700	377	490	539	860	810	24x26	895	840	24x30	910	840	24x36
750	460	598	658	-	-	-	-	-	-	-	-	-
800	542	677	745	975	920	24x30	1015	950	24x33	1025	950	24x39
900	699	874	944	1075	1020	24x30	1115	1050	28x33	1125	1050	28x39
1000	977	1221	1307	1175	1120	28x30	1230	1160	28x36	1255	1170	28x42

Mono Flanged type.....Series 56



Flanged type short.....Series 53

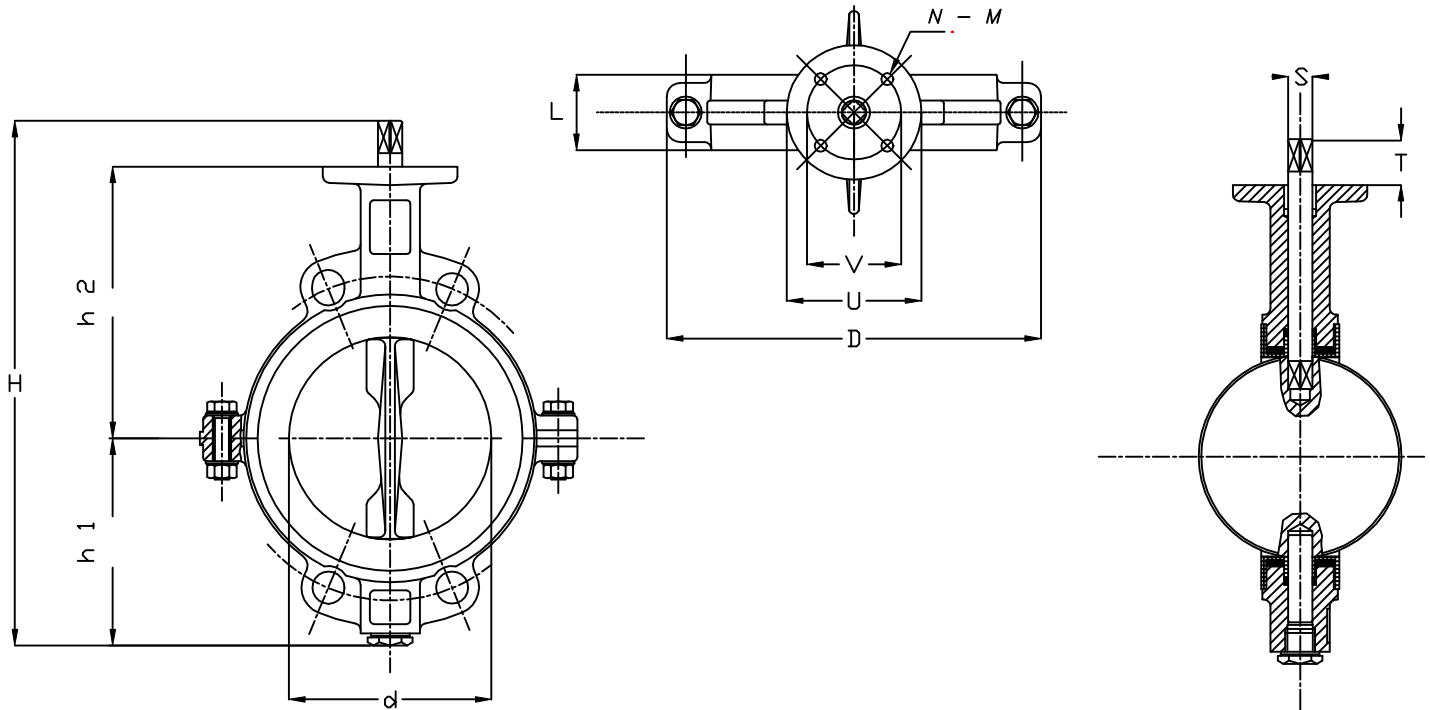
Flanged type long.....Series 54



Size	D-1	d	H	h1	h2	Series 56	Series 53	Series 54	Stem		Top flange to ISO 5211			
						L	L	L	S	T	U	V	N	M
50	165	50	215	63	118	43	108	150	10	34	90	70	4	9
65	185	65	231	71	126	46	112	170	10	34	90	70	4	9
80	200	80	245	78	133	64	114	180	10	34	90	70	4	9
100	220	100	277	98	147	64	127	190	12	34	90	70	4	9
125	250	125	303	109	160	70	140	200	12	34	90	70	4	9
150	285	150	347	133	180	76	140	210	16	34	90	70	4	9
200	340	200	396	158	204	89	152	230	16	34	90	70	4	9
250	405	250	484	194	245	114	165	250	24	45	125	102	4	11
300	460	300	534	219	270	114	178	270	24	45	125	102	4	11
350	520	336	616	256	315	127	190	290	24	45	125	102	4	11
400	580	386	721	308	363	140	216	310	30	50	175	140	4	17
450	615	436	772	334	388	152	222	330	30	50	175	140	4	17
500	670	486	823	360	413	152	229	350	30	50	175	140	4	17
600	780	586	986	426	510	178	267	390	40	50	175	140	4	17
700	906	686	1100	480	560	229	292	430	46	60	210	165	4	21
800	1021	786	1195	525	610	241	318	470	46	60	210	165	4	21

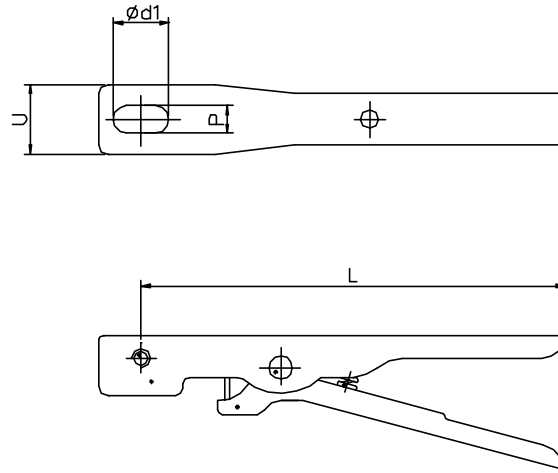
Size	Weight (KG)			PN 6			PN 10			PN 16		
	Series 56	Series 53	Series 54	D	C	bolt	D	C	bolt	D	C	bolt
50	2.8	8	10.6	140	110	4x14	165	125	4x18	165	125	4x18
65	3.6	8.5	12.5	160	130	4x14	185	145	4x18	185	145	4x18
80	6.5	9	17	190	150	4x18	200	160	8x18	200	160	8x18
100	7.5	11	20	210	170	4x18	220	180	8x18	220	180	8x18
125	11	13	26	240	200	8x18	250	210	8x18	250	210	8x18
150	14	17	31	265	225	8x18	285	240	8x22	285	240	8x22
200	18	23	45	320	280	8x18	340	295	8x22	340	295	12x22
250	28	32	70	375	335	12x18	395	350	12x22	405	355	12x26
300	38	50	90	440	395	12x22	445	400	12x22	460	410	12x26
350	50	65	120	490	445	12x22	505	460	16x22	520	470	16x26
400	95	95	165	540	495	16x22	565	515	16x26	580	525	16x30
450	115	130	200	595	550	16x22	615	565	20x26	640	585	20x30
500	155	150	230	645	600	20x22	670	620	20x26	715	650	20x33
600	230	200	320	755	705	20x26	780	725	20x30	840	770	20x36
700	330	300	420	860	810	24x26	895	840	24x30	910	840	24x36
800	430	380	610	975	920	24x30	1015	950	24x33	1025	950	24x39

Series 58



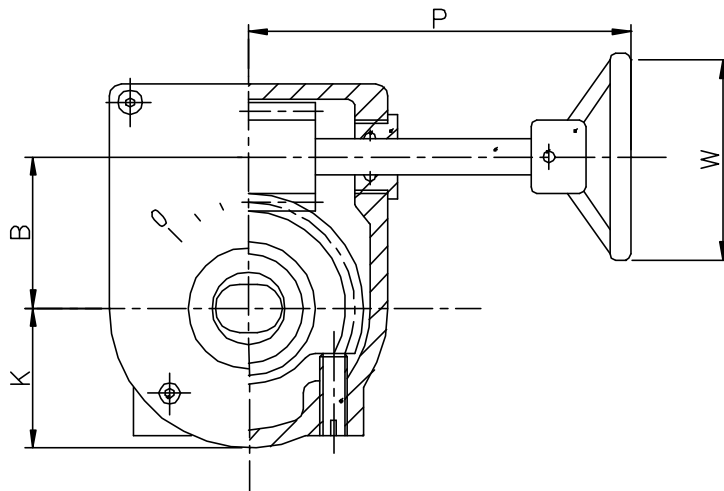
Size							Stem		Top flange ISO 5211				kg
	D	d	L	H	h1	h2	S	T	U	V	N	M	
50	102	52	43	227	67	130	10	38	90	70	4	9	4.3
65	115	65	46	241	71	140	10	38	90	70	4	9	4.5
80	128	80	46	263	83	150	10	38	90	70	4	9	4.9
100	153	100	52	290	95	163	10	38	90	70	4	9	6.3
125	183	125	56	319	110	178	12	38	90	70	4	9	8.9
150	210	150	56	347	124	191	15	38	90	70	4	9	9.4
200	259	198	60	433	163	238	18	38	90	70	4	9	11.5
250	328	248	68	546	227	285	20	45	125	102	4	12	21
300	374	298	78	601	252	315	20	45	125	102	4	12	32
350	416	327	78	675	271	324	20	45	125	102	4	12	44
400	475	387	102	817	343	369	-	60	175	140	4	18	64
450	535	438	114	877	366	406	-	60	175	140	4	18	100
500	586	477	127	1008	421	485	-	60	210	165	4	22	115
550	643	543	154	1085	440	528	-	60	210	165	4	22	164
600	695	560	154	1180	493	570	-	60	210	165	4	22	215

Lever Operator



Lever Size	d-1	p	U	L	T
40 - 80	14	10	31	280	23
100	16	12	31	280	23
125 - 150	19	15	31	280	23
200	22	20	37	367	25
250 - 300	28	20	40	410	25

Worm Gear Operator



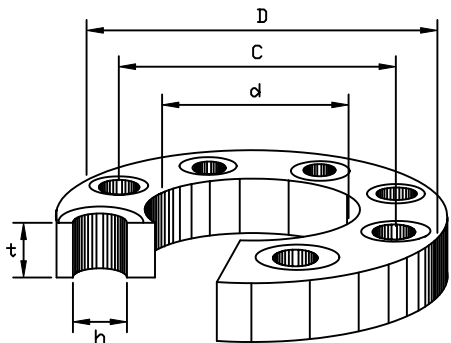
Gear Size	B	K	P	W
40 - 100	37	49	130	150
125 - 200	49	53	160	190
250 - 300	65	65	210	250
350	65	65	270	300
400	92	95	330	400
450 - 600	110	118	330	400

Slip-On

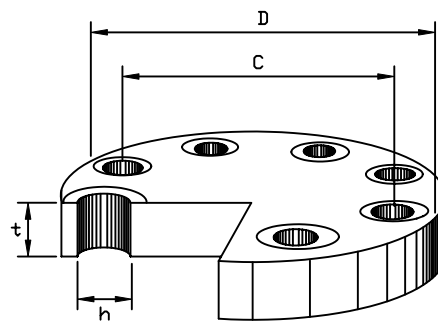
Series DIN 2573 PN6
Series DIN 2576 PN10

Blind

Series DIN 2527 PN6 & PN10



Slip-On Type



Blind Type

Size	DIN PN6								DIN PN10							
	d	D	C	No.	h	t	Weight (kg)		d	D	C	No.	h	t	Weight (kg)	
							SO	BL							SO	BL
010	17.7	75	50	4	14	12	0.27	0.30	17.7	90	60	4	14	14	0.52	0.54
015	22.2	80	55	4	14	12	0.30	0.40	22.2	95	65	4	14	14	0.57	0.61
020	27.6	90	65	4	14	14	0.37	0.50	27.6	105	75	4	14	16	0.73	0.79
025	34.4	100	75	4	14	14	0.45	0.60	34.4	115	85	4	14	16	1.13	1.24
032	43.1	120	90	4	14	16	0.78	0.90	43.1	140	100	4	18	16	1.48	1.66
040	49	130	100	4	14	16	0.83	1.00	49	150	110	4	18	16	1.56	1.81
050	61.1	140	110	4	14	16	1.07	1.40	61.1	165	125	4	18	18	1.88	2.23
065	77.1	160	130	4	14	16	1.49	2.00	77.1	185	145	4	18	18	2.60	3.24
080	90.3	190	150	4	18	18	1.99	2.70	90.3	200	160	4	18	20	2.61	3.50
100	115.9	210	170	4	18	18	2.39	3.70	115.9	220	180	8	18	20	3.14	4.60
125	141.6	240	200	8	18	20	3.23	5.20	141.6	250	210	8	18	22	4.77	7.30
150	170.5	265	225	8	18	20	4.41	7.50	170.5	285	240	8	22	22	6.34	10.10
175	-	-	-	-	-	-	-	-	196.1	315	270	8	22	24	6.82	11.80
200	221.8	320	280	8	18	22	6.33	12.20	221.8	340	295	8	22	24	7.53	14.00
250	276.2	375	335	12	18	24	9.45	19.30	276.2	395	350	12	22	26	11.80	22.70
300	327.6	440	395	12	22	24	10.30	24.30	327.6	445	400	12	22	26	13.50	29.50
350	359.7	490	445	12	22	26	14.00	33.20	359.7	505	460	16	22	28	16.40	37.10
400	423.7	540	495	16	22	28	16.90	41.90	423.7	565	515	16	26	32	23.00	52.50
450	462.3	595	550	16	22	30	21.60	53.00	462.3	615	565	20	26	38	29.50	68.80
500	513.6	645	600	20	22	30	23.10	61.90	513.6	670	620	20	26	38	33.50	82.10

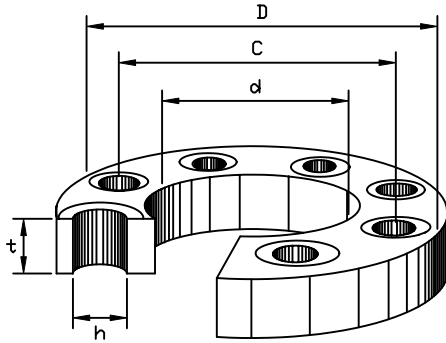
Slip-On

Series DIN 2576(PN16) PN16

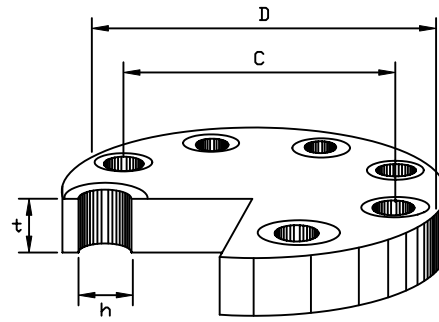
Series DIN 2576(PN40) PN40

Blind

Series DIN 2527 PN16 & PN40



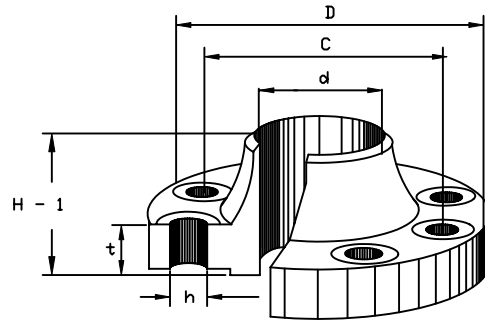
Slip-On Type



Blind Type

Size	DIN PN16								DIN PN40							
	d	D	C	no	h	t	Weight (kg)		d	D	C	no	h	t	Weight (kg)	
							SO	BL							SO	BL
010	17.7	90	60	4	14	14	0.51	0.53	17.7	90	60	4	14	14	0.60	0.60
015	22.2	95	65	4	14	14	0.56	0.60	22.2	95	65	4	14	16	0.70	0.70
020	27.6	105	75	4	14	16	0.72	0.79	27.6	105	75	4	14	18	0.80	0.90
025	34.4	115	85	4	14	16	1.13	1.23	34.4	115	85	4	14	18	1.30	1.50
032	43.1	140	100	4	18	16	1.46	1.66	43.1	140	100	4	18	18	1.60	1.80
040	49	150	110	4	18	16	1.56	1.81	49	150	110	4	18	18	1.70	2.00
050	61.1	165	125	4	18	18	1.70	2.10	61.1	165	125	4	18	20	1.90	2.40
065	77.1	185	145	4	18	18	2.40	3.10	77.1	185	145	8	18	22	2.60	3.40
080	90.3	200	160	8	18	20	3.50	4.50	90.3	200	160	8	18	24	3.80	4.90
100	115.9	220	180	8	18	20	4.50	6.30	115.9	235	190	8	22	24	4.90	6.90
125	141.6	250	210	8	18	22	6.50	9.20	141.6	270	220	8	26	26	7.80	11.00
150	170.5	285	240	8	22	22	8.70	12.80	170.5	300	250	8	26	28	10.10	14.90
175	196.1	315	270	8	22	24	8.95	13.15	196.1	350	295	12	30	28	11.35	16.45
200	221.8	340	295	12	22	24	10.90	18.60	221.8	375	320	12	30	30	12.60	21.40
250	276.2	405	355	12	26	26	18.00	30.60	276.2	450	385	12	33	32	21.90	37.20
300	327.6	460	410	12	26	28	21.50	40.70	327.6	515	450	16	33	34	25.80	48.80
350	359.7	520	470	16	26	30	30.80	57.80	359.7	580	510	16	36	38	36.20	68.00
400	423.7	580	525	16	30	32	42.80	82.20	423.7	660	585	16	39	40	51.70	99.40
450	462.3	640	585	20	30	34	55.10	107.60	462.3	685	610	20	39	42	66.10	129.10
500	513.6	715	650	20	33	34	65.10	133.10	513.6	755	670	20	42	44	77.40	158.40

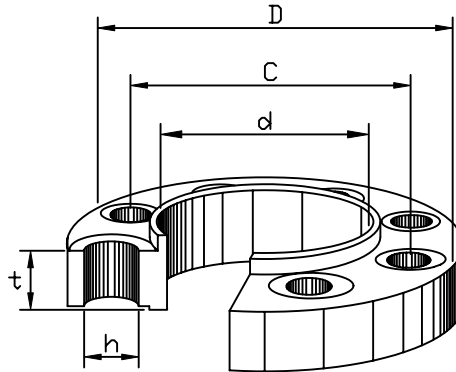
Series DIN 2633 ... PN16
Series DIN 2635 ... PN40



Weld-Neck

Size	DIN PN16								DIN PN40							
	d	D	C	No.	h	t	H-1	Weight KG	d	D	C	No.	h	t	H-1	Weight KG
010	17.2	90	60	4	14	14	35	0.58	17.2	90	60	4	14	16	35	0.66
015	21.3	95	65	4	14	14	35	0.65	21.3	95	65	4	14	16	38	0.75
020	26.9	105	75	4	14	16	38	0.95	26.9	105	75	4	14	18	40	1.06
025	33.7	115	85	4	14	16	38	1.14	33.7	115	85	4	14	18	40	1.29
032	42.4	140	100	4	18	16	40	1.69	42.4	140	100	4	18	18	42	1.88
040	48.3	150	110	4	18	16	42	1.86	48.3	150	110	4	18	18	45	2.33
050	60.3	165	125	4	18	18	45	2.53	60.3	165	125	4	18	20	48	2.82
065	76.1	185	145	4	18	18	45	3.06	76.1	185	145	8	18	22	52	3.74
080	88.9	200	160	8	18	20	50	3.7	88.9	200	160	8	18	24	58	4.75
100	114.3	220	180	8	18	20	52	4.62	114.3	235	190	8	22	24	65	6.52
125	139.7	250	210	8	18	22	55	6.3	139.7	270	220	8	26	26	68	9.07
150	168.3	285	240	8	22	22	55	7.75	168.3	300	250	8	26	28	75	11.8
175	193.7	315	270	8	22	24	60	9.85	193.7	350	295	12	30	32	82	18.2
200	219.1	340	295	12	22	24	62	11	219.1	375	320	12	30	34	88	21.5
250	273	405	355	12	26	26	70	15.6	273	450	385	12	33	38	105	34.9
300	323.9	460	410	12	26	28	78	22	323.9	515	450	16	33	42	115	49.7
350	355.6	520	470	16	26	30	82	31.2	355.6	580	510	16	33	46	125	68.1
400	406.4	580	525	16	30	32	85	39.3	406.4	660	585	16	39	50	135	96.5
500	508	715	650	20	33	34	90	61	508	755	670	20	42	52	140	117

Series DIN 86029 ... PN10
Series DIN 86030 ... PN16



Slip-On Raised Face

Size	DIN PN10								DIN PN16							
	d	D	C	No.	h	t	H-1	Weight KG	d	D	C	No.	h	t	H-1	Weight KG
010	17.7	90	60	4	14	14	20	0.56	17.7	90	60	4	14	14	20	0.56
015	22	95	65	4	14	14	20	0.64	22	95	65	4	14	14	20	0.64
020	27.6	105	75	4	14	16	24	0.98	27.6	105	75	4	14	16	24	0.98
025	34.4	115	85	4	14	16	24	1.12	34.4	115	85	4	14	16	24	1.12
032	43.1	140	100	4	18	16	26	1.58	43.1	140	100	4	18	16	26	1.58
040	49	150	110	4	18	16	26	1.77	49	150	110	4	18	16	26	1.77
050	61.1	165	125	4	18	18	28	2.40	61.1	165	125	4	18	18	28	2.40
065	77.1	185	145	4	18	18	32	3.10	77.1	185	145	4	18	18	32	3.10
080	90.3	200	160	8	18	20	34	3.80	90.3	200	160	8	18	20	34	3.80
100	115.9	220	180	8	18	20	38	4.30	115.9	220	180	8	18	20	38	4.30
125	141.6	250	210	8	18	22	40	5.80	141.6	250	210	8	18	22	40	5.80
150	170.5	285	240	8	22	22	44	7.10	170.5	285	240	8	22	22	44	7.10
175	196.1	315	270	8	22	24	44	9.10	196.1	315	270	8	22	24	44	9.10
200	222	340	295	8	22	24	44	9.90	222	340	295	12	22	24	44	9.70
250	276	395	350	12	22	26	46	12.70	276	405	355	12	26	26	46	13.40
300	327	445	400	12	22	26	46	14.40	327	460	410	12	26	28	46	17.30
350	359	505	460	16	22	26	53	22.30	359	520	470	16	26	30	57	27.60
400	410	565	515	16	26	26	57	26.70	410	580	525	16	30	32	63	36.00
500	512	670	620	20	26	28	67	37.30	512	715	650	20	33	34	73	56.40

Conversion Table - Linear

From Inches to Millimeters

1 Inch = 25.4mm

Inch	0	1/16	1/8	3/16	1/4	5/16	3/8	7/16	1/2	9/16	5/8	11/16	3/4	13/16	7/8	15/16
0	mm	1.6	3.2	4.8	6.4	7.9	9.5	11.1	12.7	14.3	15.9	17.5	19.1	20.6	22.2	23.8
1	25.4	27.0	28.6	30.2	31.8	33.3	34.9	36.5	38.1	39.7	41.3	42.9	44.5	46.0	47.6	49.2
2	50.8	52.4	54.0	55.6	57.2	58.7	60.3	61.9	63.5	65.1	66.7	68.3	69.9	71.4	73.0	74.6
3	76.2	77.8	79.4	81.0	82.6	84.1	85.7	87.3	88.9	90.5	92.1	93.7	95.3	96.8	98.4	100.0
4	101.6	103.2	104.8	106.4	108.0	109.5	111.1	112.7	114.3	115.9	117.5	119.1	120.7	122.2	123.8	125.4
5	127.0	128.6	130.2	131.8	133.4	134.9	136.5	138.1	139.7	141.3	142.9	144.5	146.1	147.6	149.2	150.8
6	152.4	154.0	155.6	157.2	158.8	160.3	161.9	163.5	165.1	166.7	168.3	169.9	171.5	173.0	174.6	176.2
7	177.8	179.4	181.0	182.6	184.2	185.7	187.3	188.9	190.5	192.1	193.7	195.3	196.9	198.4	200.0	201.6
8	203.2	204.8	206.4	208.0	209.6	211.1	212.7	214.3	215.9	217.5	219.1	220.7	222.3	223.8	225.4	227.0
9	228.6	230.2	231.8	233.4	235.0	236.5	238.1	239.7	241.3	242.9	244.5	246.1	247.7	249.2	250.8	252.4
10	254.0	255.6	257.2	258.8	260.4	261.9	263.5	265.1	266.7	268.3	269.9	271.5	273.1	274.6	276.2	277.8
11	279.4	281.0	282.6	284.2	285.8	287.3	288.9	290.5	292.1	293.7	295.3	296.9	298.5	300.0	301.6	303.2
12	304.8	306.4	308.0	309.6	311.2	312.7	314.3	315.9	317.5	319.1	320.7	322.3	323.9	325.4	327.0	328.6
13	330.2	331.8	333.4	335.0	336.6	338.1	339.7	341.3	342.9	344.5	346.1	347.7	349.3	350.8	352.4	354.0
14	355.6	357.2	358.8	360.4	362.0	363.5	365.1	366.7	368.3	369.9	371.5	373.1	374.7	376.2	377.8	379.4
15	381.0	382.6	384.2	385.8	387.4	388.9	390.5	392.1	393.7	395.3	396.9	398.5	400.1	401.6	403.2	404.8
16	406.4	408.0	409.6	411.2	412.8	414.3	415.9	417.5	419.1	420.7	422.3	423.9	425.5	427.0	428.6	430.2
17	431.8	433.4	435.0	436.6	438.2	439.7	441.3	442.9	444.5	446.1	447.7	449.3	450.9	452.4	454.0	455.6
18	457.2	458.8	460.4	462.0	463.6	465.1	466.7	468.3	469.9	471.5	473.1	474.7	476.3	477.8	479.4	481.0
19	482.6	484.2	485.8	487.4	489.0	490.5	492.1	493.7	495.3	496.9	498.5	500.1	501.7	503.2	504.8	506.4
20	508.0	509.6	511.2	512.8	514.4	515.9	517.5	519.1	520.7	522.3	523.9	525.5	527.1	528.6	530.2	531.8
21	533.4	535.0	536.6	538.2	539.8	541.3	542.9	544.5	546.1	547.7	549.3	550.9	552.5	554.0	555.6	557.2
22	558.8	560.4	562.0	563.6	565.2	566.7	568.3	569.9	571.5	573.1	574.7	576.3	577.9	579.4	581.0	582.6
23	584.2	585.8	587.4	589.0	590.6	592.1	593.7	595.3	596.9	598.5	600.1	601.7	603.3	604.8	606.4	608.0
24	609.6	611.2	612.8	614.4	616.0	617.5	619.1	620.7	622.3	623.9	625.5	627.1	628.7	630.2	631.8	633.4
25	635.0	636.6	638.2	639.8	641.4	642.9	644.5	646.1	647.7	649.3	650.9	652.5	654.1	655.6	657.2	658.8

Example:

In order to obtain the millimeter (mm) dimension for 7-1/2", find 7" on the x (vertical) axis and 1/2" on the y (horizontal) axis of the chart. The intersection of the two numbers is the millimeter (mm) equivalent to 7-1/2" (or 190.50mm).

Conversion Table - Pressure

From PSI to Kg/Cm2 and Kg/Cm2 to PSI

PSI	Kg/Cm2	PSI	Kg/Cm2	PSI	Kg/Cm2	PSI	Kg/Cm2	PSI	Kg/Cm2	PSI	Kg/Cm2	PSI	Kg/Cm2	PSI	Kg/Cm2
1	0.07	31	2.18	61	4.29	91	6.40	205	14.42	410	28.83	710	49.93	1010	71.03
2	0.14	32	2.25	62	4.36	92	6.47	210	14.77	420	29.54	720	50.63	1020	71.73
3	0.21	33	2.32	63	4.43	93	6.54	215	15.12	430	30.24	730	51.34	1030	72.43
4	0.28	34	2.39	64	4.50	94	6.61	220	15.47	440	30.94	740	52.04	1040	73.14
5	0.35	35	2.46	65	4.57	95	6.68	225	15.82	450	31.65	750	52.74	1050	73.84
6	0.42	36	2.53	66	4.64	96	6.75	230	16.17	460	32.35	760	53.45	1060	74.54
7	0.49	37	2.60	67	4.71	97	6.82	235	16.53	470	33.05	770	54.15	1070	75.25
8	0.56	38	2.67	68	4.78	98	6.89	240	16.88	480	33.76	780	54.85	1080	75.95
9	0.63	39	2.74	69	4.85	99	6.96	245	17.23	490	34.46	790	55.56	1090	76.65
10	0.70	40	2.81	70	4.92	100	7.03	250	17.58	500	35.16	800	56.26	1100	77.36
11	0.77	41	2.88	71	4.99	105	7.38	255	17.93	510	35.86	810	56.96	1120	78.76
12	0.84	42	2.95	72	5.06	110	7.74	260	18.28	520	36.57	820	57.67	1140	80.17
13	0.91	43	3.02	73	5.13	115	8.09	265	18.64	530	37.27	830	58.37	1160	81.58
14	0.98	44	3.09	74	5.20	120	8.44	270	18.99	540	37.97	840	59.07	1180	82.98
15	1.05	45	3.16	75	5.27	125	8.79	275	19.34	550	38.68	850	59.77	1200	84.39
16	1.13	46	3.23	76	5.34	130	9.14	280	19.69	560	39.38	860	60.48	1220	85.79
17	1.20	47	3.31	77	5.41	135	9.49	285	20.04	570	40.08	870	61.18	1240	87.20
18	1.27	48	3.38	78	5.49	140	9.85	290	20.39	580	40.79	880	61.88	1260	88.61
19	1.34	49	3.45	79	5.56	145	10.20	295	20.75	590	41.49	890	62.59	1280	90.01
20	1.41	50	3.52	80	5.63	150	10.55	300	21.10	600	42.19	900	63.29	1300	91.42
21	1.48	51	3.59	81	5.70	155	10.90	310	21.80	610	42.90	910	63.99	1320	92.83
22	1.55	52	3.66	82	5.77	160	11.25	320	22.50	620	43.60	920	64.70	1340	94.23
23	1.62	53	3.73	83	5.84	165	11.60	330	23.21	630	44.30	930	65.40	1360	95.64
24	1.69	54	3.80	84	5.91	170	11.95	340	23.91	640	45.01	940	66.10	1380	97.05
25	1.76	55	3.87	85	5.98	175	12.31	350	24.61	650	45.71	950	66.81	1400	98.45
26	1.83	56	3.94	86	6.05	180	12.66	360	25.32	660	46.41	960	67.51	1420	99.86
27	1.90	57	4.01	87	6.12	185	13.01	370	26.02	670	47.12	970	68.21	1440	101.27
28	1.97	58	4.08	88	6.19	190	13.36	380	26.72	680	47.82	980	68.92	1460	102.67
29	2.04	59	4.15	89	6.26	195	13.71	390	27.43	690	48.52	990	69.62	1480	104.08
30	2.11	60	4.22	90	6.33	200	14.06	400	28.13	700	49.23	1000	70.32	1500	105.49

To convert to Kg/Cm2 from PSI, divide PSI by 14.22

To convert to PSI from Kg/Cm2, multiply Kg/Cm2 by 14.22

Conversion Table - Temperature

From Fahreneheit to Celsuis and Celsuis to Fahrenheit

F	C	F	C	F	C	F	C	F	C	F	C
-160	-106.7	-40	-40.0	75	23.9	195	90.6	850	454.4	2050	1121.1
-155	-103.9	-35	-37.2	80	26.7	200	93.3	900	482.2	2100	1148.9
-150	-101.1	-30	-34.4	85	29.4	205	96.1	950	510.0	2150	1176.7
-145	-98.3	-25	-31.7	90	32.2	210	98.9	1000	537.8	2200	1204.4
-140	-95.6	-20	-28.9	95	35.0	212	100.0	1050	565.6	2250	1232.2
-135	-92.8	-15	-26.1	100	37.8	215	101.7	1100	593.3	2300	1260.0
-130	-90.0	-10	-23.3	105	40.6	220	104.4	1150	621.1	2350	1287.8
-125	-87.2	-5	-20.6	110	43.3	225	107.2	1200	648.9	2400	1315.6
-120	-84.4	0	-17.8	115	46.1	230	110.0	1250	676.7	2450	1343.3
-115	-81.7	5	-15.0	120	48.9	235	112.8	1300	704.4	2500	1371.1
-110	-78.9	10	-12.2	125	51.7	240	115.6	1350	732.2	2550	1398.9
-105	-76.1	15	-9.4	130	54.4	245	118.3	1400	760.0	2600	1426.7
-100	-73.3	20	-6.7	135	57.2	250	121.1	1450	787.8	2650	1454.4
-95	-70.6	25	-3.9	140	60.0	300	148.9	1500	815.6	2700	1482.2
-90	-67.8	30	-1.1	145	62.8	350	176.7	1550	843.3	2750	1510.0
-85	-65.0	32	0.0	150	65.6	400	204.4	1600	871.1	2800	1537.8
-80	-62.2	35	1.7	155	68.3	450	232.2	1650	898.9	2850	1565.6
-75	-59.4	40	4.4	160	71.1	500	260.0	1700	926.7	2900	1593.3
-70	-56.7	45	7.2	165	73.9	550	287.8	1750	954.4	2950	1621.1
-65	-53.9	50	10.0	170	76.7	600	315.6	1800	982.2	3000	1648.9
-60	-51.1	55	12.8	175	79.4	650	343.3	1850	1010.0	3050	1676.7
-55	-48.3	60	15.6	180	82.2	700	371.1	1900	1037.8	3100	1704.4
-50	-45.6	65	18.3	185	85.0	750	398.9	1950	1065.6	3150	1732.2
-45	-42.8	70	21.1	190	87.8	800	426.7	2000	1093.3	3200	1760.0

To convert to Fahrenheit from Celsuis: $F = 32 + 9/5 C$

To convert to Celsuis from Fahrenheit: $C = 5/9 (F-32)$

RETURN OF GOODS TERMS & CONDITIONS

Customer may return new, unused items sold and fulfilled by World Wide Metric in accordance with the guidelines below:

- A copy of the return authorization issued by World Wide Metric must accompany material being returned for credit.
- Material must be returned Freight Prepaid unless otherwise specified by World Wide Metric. Collect Freight Shipments will be refused.
- Material returned must be in the same condition as supplied. Please make sure that there is adequate packing when returning materials to prevent damage during transit. Any damage incurred during transit is the responsibility of the shipper. Upon inspection of material, credit will be applied provided the material is free of any damage or wear.
- A restocking charge may be incurred on returned shipments.
- World Wide Metric reserves the right to refuse any unauthorized returns at the customer's expense.
- We cannot accept returns of the following items:
 - Items that were originally invoiced 90 days prior to the return
 - Items that we customized
 - Items that were special ordered

If you have any questions, please contact your local World Wide Metric sales representative.

worldwidemetric.com
sales@worldwidemetric.com

Headquarters/Eastern Region:

37 Readington Road
Branchburg, NJ 08876
Phone: (732) 247-2300
Fax: (732) 247-7258
Toll free: 855-CALL-WWM (855-255-5996)

Southeast Region:

3402 S.W. 26th Terrace
Suite B-11
Ft. Lauderdale, FL 33312
Phone: (954) 321-0784
Fax: (954) 321-2591

Gulf Region:

2103 E. Governors Circle
Houston, TX 77092
Phone: (713) 682-2400
Fax: (713) 682-2481

Midwest Region:

11853 Belden Court
Livonia, MI 48150
Phone: (734) 206-4350
Fax: (734) 293-4235

Western Region:

16360 Downey Avenue
Paramount, CA 90723
Phone: (562) 633-4141
Fax: (562) 633-3280

