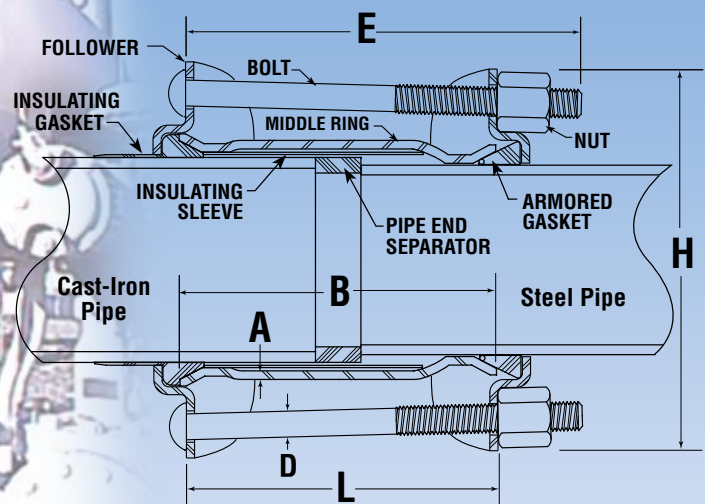


SEAL ONLY Steel Products for Gas Energy Distribution Piping Systems



- Bolted Couplings
- Insulated Couplings
- Compression Couplings
- Flange Adapters
- Expansion Joints
- Line Caps



Products in this catalog...

Basic Principle of Dresser Couplings Page 1
How to Specify/Order.....Page 2-3
Regular Couplings.....Page 4-7
Insulating Couplings Page 8
Insulating Long Couplings..... Page 9
Insulating/Reducing CouplingsPage 10
Long Body Couplings.....Page 11-12
Line CapsPage 13
Expansion JointsPage 14
Flange Adapters.....Page 15
Line Cap PlugsPage 16
Dresser End Fittings.....Inside Back Cover

Customer Service: 1-800-458-2398
Sales Fax: 1-814-362-9344
email: dmdsales@dresser.com

AL-CLAD™ Coating Offered as Standard

Dresser AL-CLAD fusion-bonded epoxy coating is offered as standard on the most common Dresser pipe joining products in the most popular sizes featured in this catalog.*

Tough, corrosion-resistant, factory-applied Dresser AL-CLAD epoxy coating has been developed through years of exhaustive testing and field application. Dresser AL-CLAD coating is applied under rigidly controlled conditions, plus it provides superior protection against corrosion no other field coating can match.

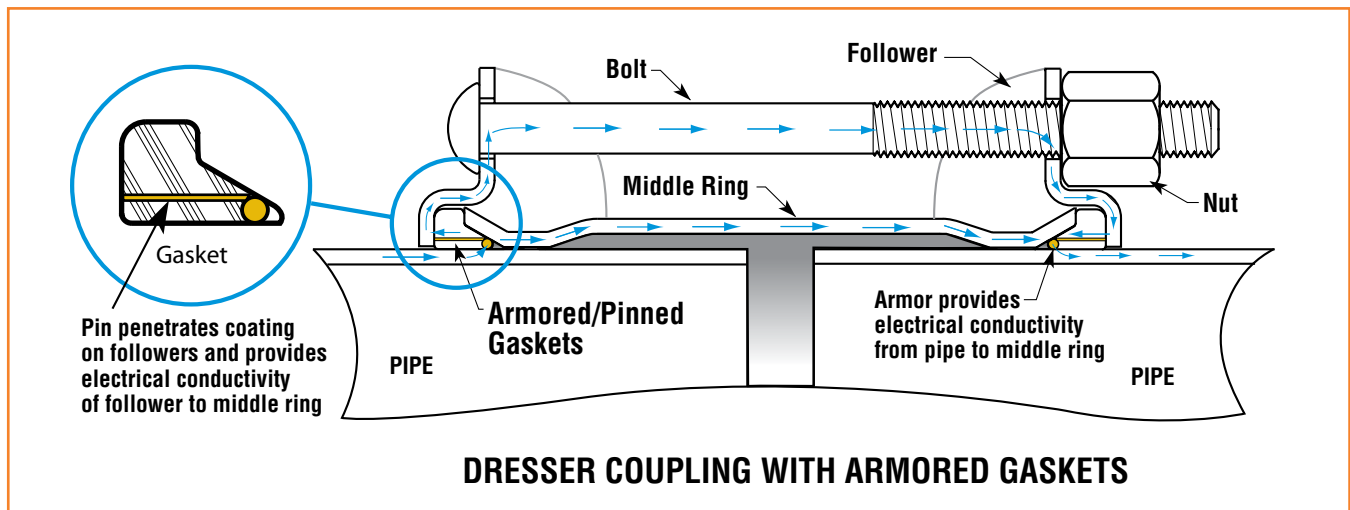
*Excludes expansion joints where AL-CLAD coating is optional. Please consult factory for other products in this catalog where AL-CLAD coating is optional.

Dresser Gaskets for Gas Product Applications

Dresser Grade 27 gaskets are rubber-compounded material that will not deteriorate from age or exposure to air under normal storage or use conditions. The rubber gasket material is immune to attack by impurities normally found in natural gas such as odorants, liquid hydrocarbons, carbon dioxide and water. All gaskets meet the requirements of ASTM D2000.

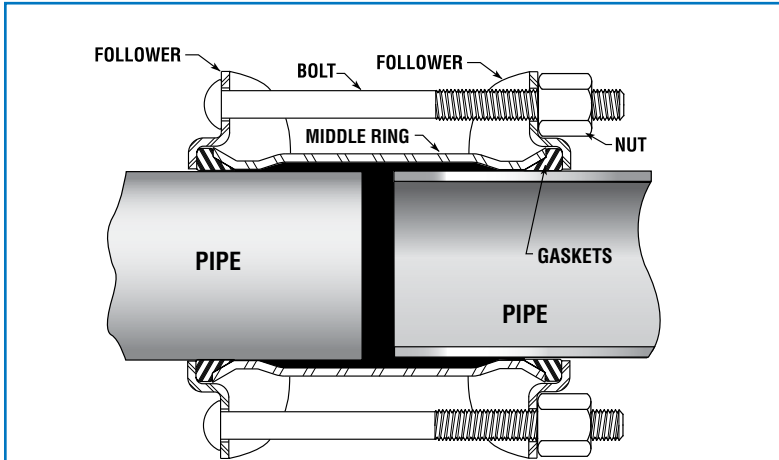
Dresser Grade 27 Armored™ or Armored/Pinned gaskets are specified when electrical continuity is required. The armor is a brass helix which is permanently molded into the tip of the gasket. It provides electrical continuity between the middle ring and pipe. Brass pins leading from the armor to the back face of the gasket provide electrical continuity from the armors to the followers.

Dresser Grade 41 gaskets are specified for insulating coupling applications. In addition to being a dielectric material, they have the same physical and chemical resistance characteristics as Grade 27.



SEAL ONLY Steel Products for Gas Energy Market Piping Systems

The Basic Working Principle of Dresser Couplings



Cutaway view shows components of a basic Dresser Style 38 coupling

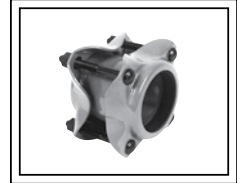
The **Dresser Coupling** consists of one cylindrical middle ring, two follower rings, two resilient gaskets of special Dresser compound and a set of steel trackhead bolts. The middle ring has a conical flare at each end to receive the wedge portion of the gaskets. The follower rings confine the outer ends of the gaskets. Tightening the bolts draws the follower rings toward each other, compressing the gaskets in the spaces formed by follower rings, middle ring flares and pipe surface producing a flexible, leak-proof seal.

Why Use a Dresser Coupling?

- **Dresser** offers the broadest line of couplings, including long body, insulating, reducing and transition types.
- Feature Dresser AL-CLAD™ coating as standard in the most popular sizes for optimum protection against highly corrosive soil or aggressive conditions.
- Commonly used sizes range from 1/2" through 72" to cover most applications, and can be furnished in practically any larger size for special requirements
- Dresser couplings are fast and easy to install with any size pipe or tubing having the same OD as steel or cast-iron pipe.
- Wide temperature range from -20°F to +212°F, with pressure ratings to 900 psi.
- Use a Dresser coupling when your line is non-rigid, accepting expansion, contraction, vibration and line deflection.

Style 38 Couplings

Page 4-6



STAB-38 Couplings

Page 7



Style 39, 39-40 Insulating Couplings

Page 8-9



Style 39-62 Insulating-Reducing Couplings

Page 10



Style 40 Long Couplings

Page 11-12



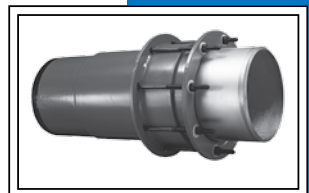
Style 31 Line Caps

Page 13



Style 63 Expansion Joints

Page 14



Style 128 Flange Adapter

Page 15



How to Specify Dresser Products

Specifying Dresser Couplings...

For those who may wish to draw up specifications of a general nature covering Dresser Style 38 couplings, this suggested form is offered:

1.) The **pipe coupling** shall be of a gasketed, sleeve-type design with diameter to properly fit the pipe. Each coupling shall consist of one (1) steel middle ring, of thickness and length specified, two (2) steel followers, two (2) rubber-compounded wedge section gaskets and sufficient track-head steel bolts to properly compress the gaskets.

The **middle ring and followers** of the coupling shall be true circular sections free from irregularities, flat spots or surface defects. They shall be formed from mill sections with the follower-ring section of such design as to provide confinement of the gasket. After welding, they shall be tested by cold expanding a minimum of 1% beyond the yield point. The middle ring, inside and out, and followers shall be coated with AL-CLAD™ thermosetting, fusion-bonded epoxy coating material that provides disbondment resistance in cathodically-protected systems and resistance to soil stresses and fungi.

The **coupling bolts** shall be of the elliptic-neck, track-head design with rolled threads. The manufacturer shall supply information as to the recommended torque to which the bolts shall be tightened. All bolt holes in the followers shall be oval for greater strength.

The **coupling gaskets** shall be composed of a crude or synthetic rubber base compounded with other products to produce a material that will not deteriorate from age, heat, or exposure to air under normal storage conditions. It shall also possess the quality of resilience and ability to resist cold flow of the material so that the joint will remain sealed and tight indefinitely when subjected to shock, vibration, pulsation and temperature or other adjustments of the pipeline.

2.) The **couplings** shall be assembled on the job in a manner to ensure permanently tight joints under all reasonable conditions of expansion, contraction, shifting and settlement, unavoidable variations in trench gradient, etc. The coupling shall be Dresser Style 38, as manufactured by Dresser Piping Specialties, Bradford, PA, and the necessary quantity shall be furnished.

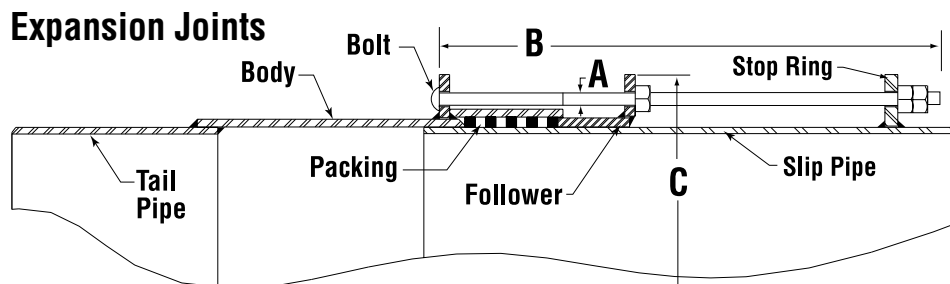
Ordering Specifications for Style 63 Expansion Joints

Dresser Style 63 Expansion Joints are made to order to accommodate your particular requirements. Inquiries or orders for Style 63 Expansion Joints should contain the following information:

- (1) Quantity;
- (2) Type of pipe: cast-iron, steel, etc.;
- (3) Style number and type;
- (4) Gas Service: (Note Other)
- (5) Maximum working pressure;
- (6) Amount of movement to be absorbed by each joint;
- (7) Temperature limitations and ranges;
- (8) Frequency of cycling;
- (9) End preparation of slip or tail pipe—beveled for welding, flanged, other;
- (10) Remarks, unusual installations, and list support methods of line and joint.

The proper type of expansion joint to use and the method of anchoring and connecting it into a line depend upon the conditions of service and type of installation, as well as other joints in the line. The most effective use of Style 63 expansion joints usually requires an engineering recommendation. For that reason, a complete description of the installation should be submitted, with sketches or working drawings, if possible. Special joints may also be made for unusual conditions.

Dresser Type 1 and Type 3 expansion joints are designed to accommodate 10" of movement as standard. **Type 2 and Type 4** expansion joints are designed to accommodate 8" of movement—4" at each end—and the Type 2 must be anchored. If not, a maximum of 4" can be absorbed.



How to Specify Pipe Ends for Dresser Couplings

How to Specify Ends* on Steel Pipe

On orders and in specifications, the ends on steel pipe to be used with Dresser couplings may be specified briefly as follows:

- The pipe shall be furnished with plain ends for Dresser couplings in accordance with **A.P.I. (American Petroleum Institute) Line Pipe Specifications**; OR
- The pipe shall be furnished with plain ends for Dresser couplings in accordance with A.W.W.A. (American Water Works Association) Steel Water Pipe Specifications.

If specifications are to be detailed, the following may be used:

For pipe above 5" OD to 10-3/4" OD inclusive:

- The pipe shall be sufficiently free from indentations, projections or roll marks for a distance of 8" from the end of the pipe to make a tight joint with the rubber-gasket type of coupling. The outside diameter of the pipe shall not be more than 1/64" smaller than the nominal outside diameter for a distance of 8" from the end of the pipe and shall permit the passing for a distance of 8" of a ring gauge which has a bore 1/16" larger than the nominal outside diameter of the pipe. The minimum outside pipe diameter shall be determined by the use of a steel tape circumferentially applied to prevent the shipment of undersize, out-of-round pipe which, if measured diametrically through the maximum diameter or checked with a No-Go ring gauge, might appear within the specified tolerance.

For pipe larger than 10-3/4" OD:

- The pipe shall be sufficiently free from indentations, projections or roll marks for a distance of 8" from the end of the pipe to make a tight joint with the rubber-gasket type of coupling. The outside diameter of the pipe shall not be more than 1/32" smaller than the nominal outside diameter for a distance of 8" from the end of the pipe and shall permit the passing for a distance of 8" of a ring gauge which has a bore 3/32" larger than the nominal outside diameter of the pipe. The minimum outside pipe diameter shall be determined by the use of a steel tape circumferentially applied to prevent the shipment of undersize, out-of-round pipe which, if measured diametrically through the maximum diameter or checked with a No-Go ring gauge, might appear within the specified tolerance.

*While Dresser couplings require only plain-end pipe, other kinds of pipe ends (such as threaded, beveled or grooved) can be used if such pipe is already on hand.

How to Specify Ends on Cast/Ductile Iron Pipe

On orders and in specifications, the ends on cast or ductile iron pipe to be used with Dresser couplings may be specified briefly as follows:

- The pipe shall be furnished with plain ends for Dresser couplings in accordance with **A.G.A. (American Gas Association) Specifications on Tolerances**; OR
- The pipe shall be furnished with plain ends for Dresser couplings in accordance with A.W.W.A. (American Water Works Association) specifications on tolerances.

If further specifications are desired, the following may be added:

- The pipe shall be smooth and round for a distance of 8" from each end. The maximum plus or minus variation from nominal outside diameters for each size shall not exceed dimensions as shown in chart at right.

Maximum Variation	Size
3" - 16"	.06"
18" - 24"	.08"
30" - 42"	.10"
48"	.12"
54" - 60"	.15"

- The maximum outside pipe diameter shall be such as to permit the passing of a ring gauge having an internal bore not greater than .01" larger than the maximum allowable outside diameter of the pipe.

This ring gauge shall go over the end of the pipe for a distance of 8" for all sizes up to and including 24" and for a distance of 12" on sizes above 24".

- The minimum outside diameter shall be determined by use of a steel tape circumferentially applied to prevent the shipment of undersized, out-of-round pipe which, if measured diametrically through the maximum diameter or checked with a No-Go ring gauge, might appear within the specified tolerance.

Style 38 Couplings

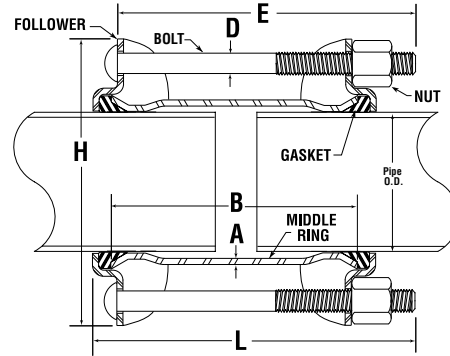


Proven by years of service on all kinds of pipe, **Dresser Style 38** couplings provide flexible, leakproof connections that last the life of the pipe. No costly threading, beveling, exact pipe fitting or alignment is required. The resilient Dresser gaskets absorb vibration and pipe movement and permit curves to be laid with straight pipe lengths. Installation is safe and sure. There's no hazard to workmen or delays due to weather.

NOTE: Commonly used sizes are listed in the tables, but couplings **can be furnished for practically any size or special condition.**

Materials of Construction

Followers: AISI C1012 or ASME SA36
(Ductile Iron or Malleable Iron for 1/2" thru 1-1/2")
Middle Ring: ASTM A513, ASTM A635 or ASME SA675 GR60
Bolts: ANSI A21.1
Gasket: Grade 27 BUNA S (Armored/Pinned)



Single-piece follower construction for 2"-12" couplings

Style 38 Couplings

Sizes and Specifications for Steel Pipe

Pipe Nominal Size (In)	Outside Pipe Diameter (OD)	Middle Ring Thickness & Length (A&B) ¹	Bolts ² No./Diam. x Length (D&E)	Approx. Dimensions		Working Pressure ⁴ Lbs. per Sq.In.	Approx. Weight Each (Lbs.)
				Diam. (H)	Length ³ (L)		
1/2	.840	.156 x 3-1/2	2-1/2 x 6	3-1/2	8	150	2
3/4	1.050	.156 x 5	2-1/2 x 7-1/4	3-13/16	8-1/2	150	3
1	1.315	.148 x 5	2-1/2 x 7-1/4	4-1/16	8-1/2	150	4
1-1/4	1.660	.154 x 5	2-1/2 x 7-1/4	4-7/16	8-1/2	150	4
1-1/2	1.900	.165 x 5	2-1/2 x 7-1/4	4-3/4	8-1/2	150	5
2	2.375	.154 x 5	2-5/8 x 8-1/4	6	9-1/2	150	7
2	2.375	.154 x 5	3-5/8 x 8-1/4	6-1/4	9-1/2	150	10
2	2.375	.154 x 7	3-5/8 x 10-3/4	6-1/4	11-1/2	150	13
2-1/4 CAS	2.875	.180 x 5	3-5/8 x 8-1/4	7	9-1/2	350	13
3	3.500	.156 x 5	4-5/8 x 6	8	8	350	13
3	3.500	.156 x 7	4-5/8 x 8-1/4	8	9-1/2	350	17
3-1/2	4.000	.188 x 5	4-5/8 x 6	8-5/8	8	400	17
4	4.500	.188 x 5	4-5/8 x 6	9	8	400	16
4	4.500	.188 x 7	4-5/8 x 8-1/4	9	9-1/2	400	23
5-3/16 CAS	5.500	1/4 x 5	4-5/8 x 8-1/4	9-5/8	9-1/2	900	23
5	5.563	1/4 x 5	4-5/8 x 6	10-3/8	8	900	23
5	5.563	1/4 x 7	4-5/8 x 8-1/4	10-3/8	9-1/2	900	25
5-5/8 CAS	6.000	1/4 x 5	6-5/8 x 6	10-5/8	8	900	26
6	6.625	1/4 x 5	6-5/8 x 6	11-1/4	8	900	25
6	6.625	1/4 x 7	6-5/8 x 8-1/4	11-1/4	9-1/2	900	15
7-5/8	8.000	1/4 x 5	6-5/8 x 8-1/4	11-7/8	9-1/2	750	31
8	8.625	1/4 x 5	6-5/8 x 6	13-1/4	7	750	32
8	8.625	1/4 x 7	6-5/8 x 8-1/4	13-1/4	9	750	38

Steel Pipe Sizes Continue on Page 5

Style 38 Couplings (cont'd)

Sizes and Specifications for Steel Pipe

Pipe Nominal Size (In)	Outside Pipe Diameter (OD)	Middle Ring Thickness & Length (A&B) ¹	Bolts ² No./Diam. x Length (D&E)	Approx. Dimensions		Working Pressure ⁴ Lbs. per Sq.In.	Approx. Weight Each (Lbs.)
				Diam. (H)	Length ³ (L)		
9-5/8	10.000	1/4 x 5	8-5/8 x 8-3/4	13-7/8	6-7/8	600	39
10	10.750	1/4 x 5	8-5/8 x 6	14-5/8	9-1/2	600	40
10	10.750	1/4 x 7	8-5/8 x 8-1/4	14-5/8	8-7/8	600	49
10	10.750	3/8 x 7	8-5/8 x 8-1/4	14-5/8	11-7/8	600	53
11-5/8 CAS	12.000	1/4 x 7	8-5/8 x 10-3/4	16	11-7/8	550	53
12	12.750	1/4 x 5	8-5/8 x 6	16-3/4	9-1/2	550	45
12	12.750	1/4 x 7	8-5/8 x 8-1/4	16-3/4	11-7/8	550	56
12	12.750	3/8 x 7	8-5/8 x 8-1/4	16-3/4	11-7/8	500	65
14	14.000	1/4 x 7	8-5/8 x 10-3/4	18	9-1/8	500	60
	14.000	3/8 x 7	8-5/8 x 10-3/4	18	11-7/8	500	72
16	16.000	1/4 x 7	10-5/8 x 10-3/4	20	9-1/8	450	70
	16.000	3/8 x 7	10-5/8 x 10-3/4	20	11-7/8	450	82
18	18.000	1/4 x 7	10-5/8 x 10-3/4	22	9-1/8	400	75
	18.000	3/8 x 7	10-5/8 x 10-3/4	22	11-7/8	400	88
20	20.000	1/4 x 7	12-5/8 x 10-3/4	24-1/16	9-1/8	300	86
	20.000	3/8 x 7	12-5/8 x 10-3/4	24-1/16	11-7/8	300	90
22	22.000	1/4 x 7	14-5/8 x 10-3/4	26	9-1/8	300	98
	22.000	3/8 x 7	14-5/8 x 10-3/4	26	11-7/8	300	108
24	24.000	1/4 x 7	14-5/8 x 10-3/4	28	9-1/8	300	105
	24.000	3/8 x 7	14-5/8 x 10-3/4	28	11-7/8	300	120

NOTE: Only couplings for most commonly used steel pipe sizes are shown. Couplings are supplied for ALL SIZES of steel pipe and are regularly available in any special size. Details and prices will be furnished on request for any size of pipe or for any special conditions. Please consult factory.

1- Middle Rings - Thicker or longer than those listed can be furnished. Please specify if pipe stop is required.

2- Bolts - Furnished E-Coated steel as standard.

3- Dimension "L" - Overall length taken with fasteners drawn up finger tight.

4- Working Pressure - Pressure ratings are determined on the basis of Barlow's formula using a working stress equal to one half the minimum yield of the middle ring material.

Style 38 Small Couplings



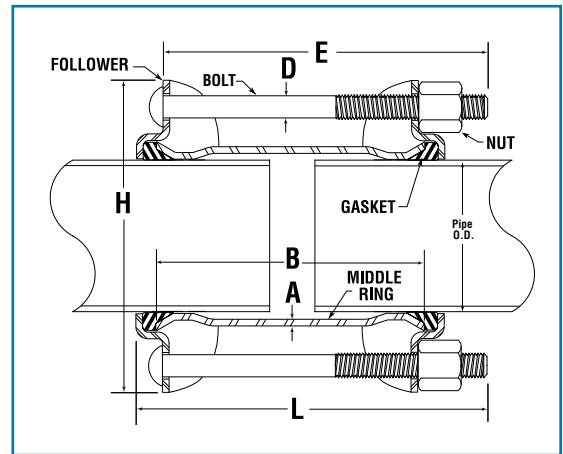
1-1/4" Style 38 showing 2-bolt construction is supplied for 1/2" through 2" O.D. sizes



Style 38 3-bolt construction supplied for 2", 2-1/2" and 3-1/2" O.D. sizes

Style 38 Couplings for Cast-Iron Pipe

Dresser Style 38 Couplings are also available for cast-iron sizes 2" through 72". These couplings have long been used for joining plain-end cast-iron pipe, combining the advantages of absolutely tight joints and easier, faster pipe joining. Style 38 couplings also permit the salvage and use of random lengths of cast-iron pipe from which bell-ends or cracked sections have been removed.



Materials of Construction

Followers: AISI C1012 or ASME SA36
(Ductile Iron or Malleable Iron for 1/2" thru 1-1/2")

Middle Ring: ASTM A513, ASTM A635 or ASME SA675 GR60

Bolts: ANSI A21.11

Gasket: Grade 27 BUNA S

Style 38 Couplings for CIP

Sizes and Specifications for Plain-End Cast-Iron Pipe

Pipe Nominal Size (In)	Outside Pipe Diameter (OD)	Middle Ring Thickness & Length (A&B) ¹	Bolts No./Diam. x Length (D&E)	Approx. Dimensions		Working Pressure Lbs. per Sq.In.	Approx. Weight Each (Lbs.)
				Diam. (H)	Length (L)		
2	2.500	.188 x 5	3-5/8 x 8-1/4	6-1/2	9-1/2	150	10
2-1/4	2.750	.188 x 5	3-5/8 x 8-1/4	7	9-1/2	150	13
3	3.800	.188 x 5	3-5/8 x 8-1/4	7	9-1/2	150	13
4	4.800	.1229 x 5	4-5/8 x 7	9	9-1/2	150	15
4	5.000	.1229 x 5	4-5/8 x 6	9	9-1/2	150	17
6	6.900	1/4 x 5	5-5/8 x 6	11-3/4	9-1/2	150	21
6	7.100	1/4 x 5	5-5/8 x 6	11-3/4	9-1/2	150	21
8	9.050	1/4 x 5	6-5/8 x 8-1/4	13-1/4	9-1/2	150	31
8	9.300	1/4 x 5	6-5/8 x 8-1/4	13-1/4	9-1/2	150	31
10	11.100	3/8 x 7	7-5/8 x 10-3/4	15-9/16	11-7/8	150	47
10	11.400	3/8 x 7	7-5/8 x 10-3/4	15-9/16	11-7/8	150	47
12	13.200	3/8 x 7	8-5/8 x 10-3/4	17-13/16	11-7/8	150	54
12	13.500	3/8 x 7	8-5/8 x 10-3/4	17-13/16	11-7/8	150	54
14	15.300	3/8 x 7	10-5/8 x 10-3/4	19-1/8	11-7/8	150	74
14	15.650	3/8 x 7	10-5/8 x 10-3/4	20-5/8	11-7/8	150	102
16	17.400	3/8 x 7	10-5/8 x 10-3/4	20-1/4	11-7/8	150	88
16	17.800	3/8 x 7	10-5/8 x 10-3/4	22-13/16	11-7/8	150	111
18	19.500	3/8 x 7	12-5/8 x 10-3/4	23-1/2	11-7/8	150	105
18	19.920	3/8 x 7	12-5/8 x 10-3/4	24-15/16	11-7/8	150	124
20	21.600	3/8 x 7	12-5/8 x 10-3/4	25-5/8	11-7/8	150	114
20	22.060	3/8 x 7	14-5/8 x 10-3/4	27-1/16	11-7/8	150	141
24	25.800	3/8 x 7	15-5/8 x 10-3/4	29-3/16	11-7/8	150	134
24	26.320	3/8 x 7	15-5/8 x 10-3/4	31-5/16	11-7/8	150	163

NOTE: Only couplings for most commonly used pipe sizes are shown. Details and prices will be furnished on request for any size of pipe or for any special conditions. Please consult factory.

STAB-38 Couplings for Steel Pipe

The Dresser STAB-38 Coupling is a true “packaged” pipe joint ready to take out of the carton and slide onto the pipe. Available in sizes from 2” through 12”, these couplings are factory-assembled with no loose parts. It only takes a matter of minutes to make absolutely permanent, tight joints and easier, faster pipe joining. STAB-38 couplings are supplied with armored or armored pinned gaskets and come in clearly marked cartons to simplify warehousing.

Materials of Construction

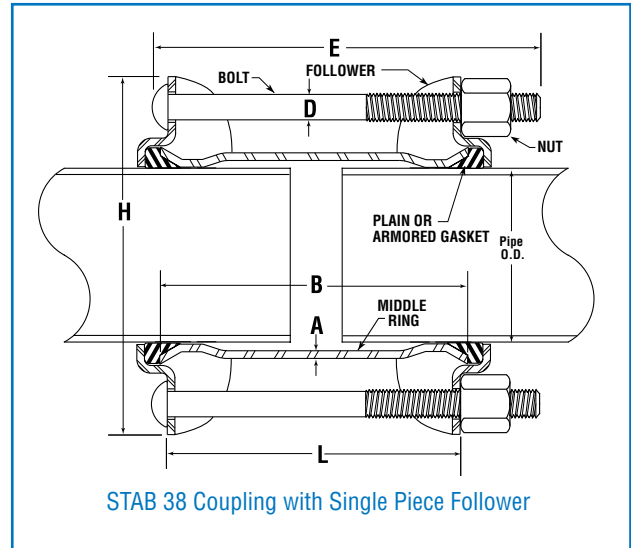
Followers: AISI C1012 or ASME SA36

(Ductile Iron or Malleable Iron for 1/2” thru 1-1/2”)

Middle Ring: ASTM A513, ASTM A635 or ASME SA675 GR60

Bolts: ANSI A21.11

Gasket: Grade 27 BUNA S (Armored/Pinned)

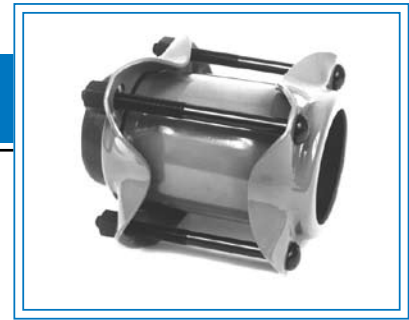


STAB-38 Couplings

Sizes and Specifications for Steel Pipe

Pipe Nominal Size (In)	Outside Diameter Inches	Middle Ring Thickness & Length (A&B)	Bolts No./Diam. & Length (D&E)	Working Pressure Lbs. per Sq. In.	Overall Dimensions		Quantity per Package	Shipping Weight per Package (Approx.) (Lbs.)
					Diam. (H)	Length (L)		
2	2.375	.154 x 5	3-5/8 x 8-1/4	150	6-1/4	7	6	62
2	2.375	.154 x 7	3-5/8 x 10-3/4	150	6-1/4	9	6	72
3	3.500	.156 x 5	4-5/8 x 7	350	6-1/2	7	4	72
3	3.500	.156 x 7	4-5/8 x 8-1/4	350	6-1/2	9	4	72
4	4.500	.188 x 5	4-5/8 x 7	350	8-3/4	7	4	78
4	4.500	.188 x 7	4-5/8 x 8-1/4	350	8-3/4	9	4	84
6	6.625	1/4 x 5	6-5/8 x 7	900	11-1/4	6-7/8	2	52
6	6.625	1/4 x 7	6-5/8 x 8-1/4	900	11-1/4	8-7/8	2	60
8	8.625	1/4 x 5	6-5/8 x 7	750	13-1/4	6-7/8	1	32
8	8.625	1/4 x 7	6-5/8 x 8-1/4	750	13-1/4	8-7/8	1	37
10	10.750	1/4 x 5	8-5/8 x 8-1/4	650	14-5/8	6-7/8	1	42
10	10.750	1/4 x 7	8-5/8 x 10-1/4	650	14-5/8	8-7/8	1	48
12	12.750	1/4 x 5	8-5/8 x 8-1/4	550	16-5/8	6-7/8	1	42
12	12.750	1/4 x 7	8-5/8 x 10-1/4	550	16-5/8	8-7/8	1	48

Style 39 Insulating Couplings

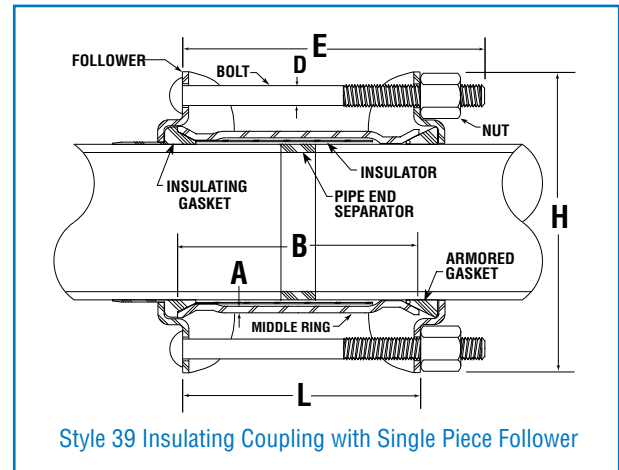


For insulation and electric isolation

Dresser Style 39 Insulating Couplings are widely used on lines which are to be electrically isolated for cathodic protection, or for insulating between pipe of dissimilar metals. The Style 39 coupling follows the same basic design and benefits as the Style 38 coupling, but has insulating properties. The insulating gasket has a skirt which extends under the follower ring to insulate it from the pipe. In addition, a “full boot” plastic tubular insulator inside the middle ring assures isolation of pipe ends. Thus, one pipe end is completely insulated from the coupling and opposite pipe end, while the armored gasket on the other end bonds the coupling to the pipe where it can share cathodic protection currents. Style 39 couplings can be virtually used on all sizes of gas and oil pipelines, and can be supplied with insulating features on both ends if required.

Materials of Construction

Followers: AISI C1012 or ASME SA36
(Ductile Iron or Malleable Iron for 1/2" thru 1-1/2")
Bolts & Nuts: ANSI A21.11
Middle Ring: ASTM A513, ASTM A635 or ASME SA675 GR60
Pipe End Separator & Insulator: Dresser Spec 100 Plastic
Insulating Gasket*: Grade 27 Buna S (Armored/Pinned);
 Grade 41 on Insulating End



Style 39 Insulating Coupling with Single Piece Follower

Style 39 Insulating Couplings Sizes and Specifications for Steel Pipe

Pipe Nominal Size (In)	Outside Diameter Inches	Middle Ring Thickness & Length (A&B)	Bolts No./Diam. & Length (D&E)	Approx. Dimensions		Working Pressure Lbs. per Sq. In.	Approx. Shipping Weight (Lbs.)
				Diam. (H)	Length (L)		
3/4	1.050	.120 x 5	2-1/2 x 6-3/4	3-13/16	5-7/8	150	3
1	1.315	.134 x 5	2-1/2 x 6-3/4	4-1/16	5-7/8	150	4
1-1/4	1.660	.140 x 5	2-1/2 x 6-3/4	4-7/16	5-7/8	150	4
1-1/2	1.900	.138 x 5	2-1/2 x 6-3/4	4-3/4	5-7/8	150	5
2	2.375	.154 x 7	3-5/8 x 10-3/4	6-1/4	9	150	12
3	3.500	.156 x 7	4-5/8 x 8-1/4	8	9	350	17
4	4.500	.188 x 7	4-5/8 x 8-1/4	9	9	350	21
6	6.625	1/4 x 7	6-5/8 x 8-1/4	11-1/4	9	900	29
8	8.625	1/4 x 7	6-5/8 x 8-1/4	13-1/4	9	750	36
10	10.750	1/4 x 7	8-5/8 x 8-1/4	14-5/8	8-7/8	600	44
12	12.750	1/4 x 7	8-5/8 x 8-1/4	14-5/8	8-7/8	550	53
14	14.000	3/8 x 7	8-5/8 x 10-3/4	14-5/8	8-7/8	550	82
16	16.000	3/8 x 7	8-5/8 x 10-3/4	14-5/8	8-7/8	450	98
18	18.000	3/8 x 7	8-5/8 x 10-3/4	14-5/8	8-7/8	400	111
20	20.000	3/8 x 7	8-5/8 x 10-3/4	14-5/8	8-7/8	300	122
24	24.000	3/8 x 7	8-5/8 x 10-3/4	14-5/8	8-7/8	300	153

*NOTE: Gaskets - Above specifications include Armored Gaskets on conductive end.

Style 39-40 Insulating Long Couplings

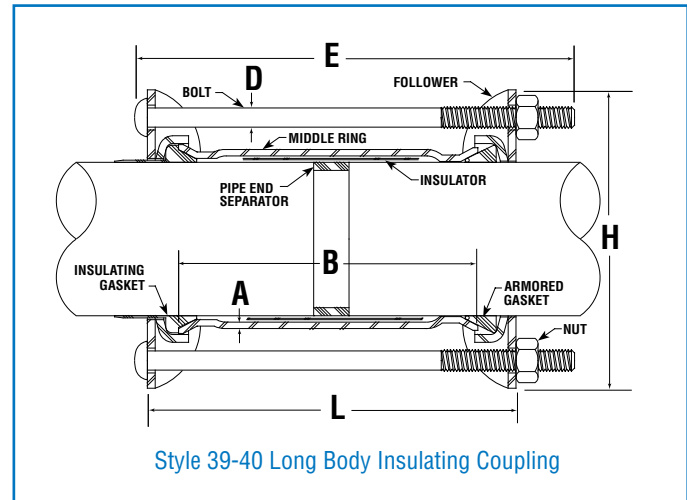


For widely separated pipe ends

Dresser Style 39-40 Insulated Long Couplings have the same basic design and insulating features as the Style 39, yet are furnished with a longer middle ring body for joining pipe when gaps in pipe ends are wider than ordinary. Though longer, they absorb the same amount of expansion and contraction as the Style 39 coupling, up to 3/8" per joint.

Materials of Construction

- Followers:** AISI C1012 or ASME SA36
(Ductile Iron or Malleable Iron for 1/2" thru 1-1/2")
- Bolts & Nuts:** ANSI A21.11
- Middle Ring:** ASTM A513, ASTM A635 or ASME SA675 GR60
- Pipe End Separator & Insulator:** Dresser Spec 100 Plastic
- Insulating Gasket*:** Grade 27 Buna S (Armored/Pinned);
Grade 41 on Insulating End



Style 39-40 Long Body Insulating Couplings Sizes and Specifications for Steel Pipe

Nominal Size (In)	Outside Diameter (In)	Middle Ring Thickness & Length (A&B)	Bolts No./Diam. & Length (D&E)	Approx. Dimensions		Working Pressure Lbs. per Sq. In.	Approx. Shipping Weight (Lbs.)
				Diam. (H)	Length (L)		
1	1.315	.134 x 12	2-1/2 x 14	4-1/16	12	150	4
1-1/4	1.660	.140 x 12	2-1/2 x 14	4-7/16	12	150	4
1-1/2	1.900	.138 x 12	2-1/2 x 14	4-3/4	12	150	5
2	2.375	.154 x 12	3-5/8 x 15	6-1/4	13	150	12
3	3.500	.156 x 12	4-5/8 x 15	8	13	350	16
4	4.500	.188 x 12	4-5/8 x 15	9	13	400	24
6	6.625	1/4 x 16	6-5/8 x 19-1/2	11-1/4	17	900	31
8	8.625	1/4 x 16	6-5/8 x 19-1/2	13-1/4	17	750	38
10	10.750	1/4 x 16	8-5/8 x 19-1/2	14-5/8	17	600	69
12	12.750	1/4 x 16	8-5/8 x 19-1/2	14-5/8	17	550	81
	16.000	3/8 x 16	10-5/8 x 19-1/2	15-3/4	17	450	110

NOTE: Larger sizes and special length bodies can be supplied.

*Gaskets - Above specifications include Armored Gaskets on conductive end.

Style 39-62 Insulating/Reducing Couplings



For dissimilar size and pipe end transitions

Dresser Style 39-62 Insulating/Reducing Couplings are most widely used where cast-iron and steel pipe are joined in a system. Plus, it eliminates corrosion problems created when joining pipes of dissimilar metals. The insulating gasket is typically furnished on the larger end for cast-iron. A plastic insulating sleeve prevents pipe-end contact with the middle ring, and a sliding pipe end spacer separates the two pipe ends. Type 1 Style 39-62 is available in standard sizes up to 24" I.D.; and Type 3 Style 39-62 features a long-sleeve body in nominal sizes 4" thru 24".

Materials of Construction

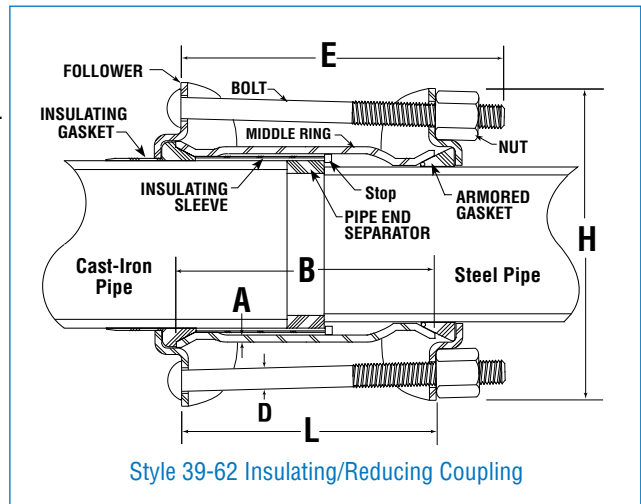
Followers: AISI C1012 or ASME SA36 (Ductile Iron or Malleable Iron for 1/2" thru 1-1/2")

Middle Ring: ASTM A513, ASTM A635 or ASME SA675 GR60

Bolts: AWWA C 111/ANSI A21.11

Pipe End Separator & Insulator: Dresser Spec 100 Plastic

Gaskets: Grade 27 Buna S (Armored/Pinned);
Grade 41 On Insulating End



Style 39-62 Insulating/Reducing Couplings

Cast-Iron End Insulating, Steel Pipe End Conductive

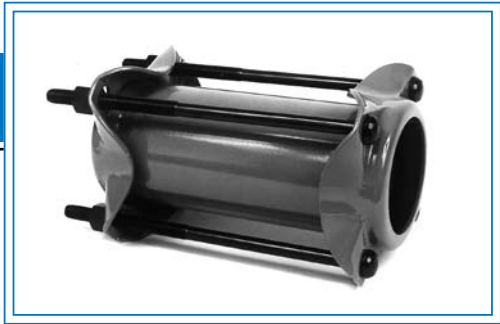
Type 1 Sizes and Specifications

Nominal Size Inches	Outside Diameter CAST-IRON (Inches)	Outside Diameter STEEL (Inches)	Middle Ring Thickness & Length	Bolts' No./Diam. & Length	Approx. Dimensions		Approx. Shipping Weight (Lbs.)
					Diam. (H)	Length (L)	
2	2.500	2.375	.188 x 5	3-5/8 x 8-1/4	7-3/4	7	12
3	3.800	3.500	.203 x 5	4-5/8 x 8-1/4	7-3/4	7	16
4	4.800	4.500	1/4 x 7	4-5/8 x 8-1/4	9	9	23
4	5.000	4.500	1/4 x 7	4-5/8 x 8-1/4	9	9	25
6	6.900	6.625	1/4 x 7	6-5/8 x 8-1/4	11-3/4	9	27
6	7.100	6.625	1/4 x 7	6-5/8 x 8-1/4	11-3/4	9	27
8	9.050	8.625	1/4 x 7	6-5/8 x 10-3/4	13-1/4	9	34
8	9.300	8.625	1/4 x 7	6-5/8 x 10-3/4	13-1/4	9	36
10	11.100	10.750	3/8 x 7	8-5/8 x 10-3/4	15-9/16	9	58
12	13.200	12.750	3/8 x 7	8-5/8 x 10-3/4	17-3/4	9	83
12	13.500	12.750	3/8 x 7	8-5/8 x 10-3/4	19-5/16	9	85
16	17.400	16.000	3/8 x 7	10-5/8 x 10-3/4	21-3/8	9	
20	21.600	20.000	3/8 x 7	12-5/8 x 10-3/4	25-5/8	9	127
24	25.800	24.000	3/8 x 7	14-5/8 x 10-3/4	29-13/16	9	162

Type 3 (Long Body) Sizes and Specifications

4	4.80	4.500	1/4 x 12	4-5/8 x 15	9	13	24
6	6.90	6.625	1/4 x 16	6-5/8 x 19-1/2	11-3/4	17	51
8	9.050	8.625	1/4 x 16	6-5/8 x 19-1/2	13-1/4	17	62
10	11.100	10.750	3/8 x 16	8-5/8 x 19-1/2	15-9/16	17	111
12	13.200	12.750	3/8 x 16	8-5/8 x 19-1/2	17-3/4	17	130
16	17.400	16.000	3/8 x 16	10-5/8 x 19-1/2	21-3/8	17	167
20	21.600	20.000	3/8 x 16	12-5/8 x 20	25-5/8	17	211
24	25.800	24.000	3/8 x 16	14-5/8 x 20	29-13/16	17	252

Style 40 Long Couplings



For widely separated pipe ends

Dresser Style 40 Long Couplings provide a simple and effective method of joining pipe when gaps in pipe ends are wider than ordinary. Style 40 long body couplings are similar in construction to Style 38 couplings, except that middle rings are longer and have a larger belly diameter. Though longer, they absorb the same amount of expansion and contraction as the Style 38 coupling, up to 3/8" per joint.

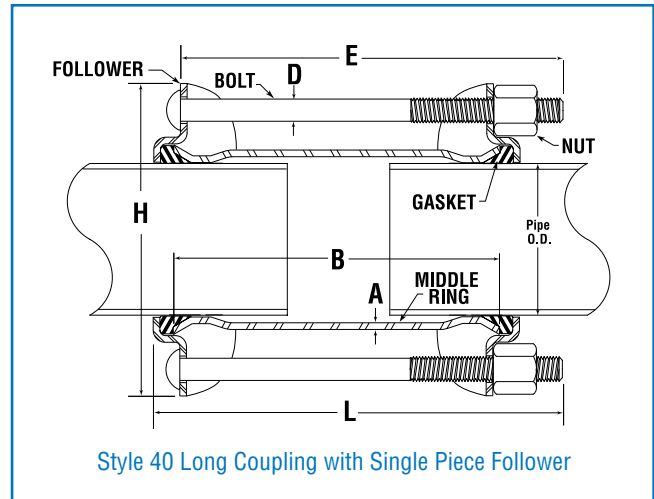
Materials of Construction

Followers: AISI C1012 or ASME SA36
(Ductile Iron or Malleable Iron for 1/2" thru 1-1/2")

Middle Ring: ASTM A513, ASTM A635 or ASME SA675 GR60

Bolts: ANSI A21.11

Gasket: Grade 27 BUNA S (Armored/Pinned)



Style 40 Long Coupling with Single Piece Follower

Style 40 Long Couplings* Sizes and Specifications for Steel Pipe

Pipe Nominal Size (In)	Outside Pipe Diameter (OD)	Middle Ring Thickness & Length ¹ (A&B)	Bolts ² No./Diam. x Length (D&E)	Approx. Dimensions		Working Pressure ⁴ Lbs. per Sq.in.	Approx. Shipping Weight (Lbs.)
				Diam. (H)	Length ³ (L)		
1/2	.840	.156 x 12	2-1/2 x 14	3-1/2	15-5/8	150	4
3/4	1.050	.156 x 12	2-1/2 x 14	3-13/16	15-5/8	150	5
1	1.315	.148 x 12	2-1/2 x 14	4-1/16	15-5/8	150	6
1-1/4	1.660	.154 x 12	2-1/2 x 14	4-7/16	15-5/8	150	6
1-1/2	1.900	.165 x 12	2-1/2 x 14	4-3/4	15-5/8	150	7
2	2.375	.156 x 12	3-5/8 x 15	6-1/4	17	150	15
2	2.375	.156 x 24	3-5/8 x 28	6-1/4	29	150	33
2-1/2	2.875	.180 x 12	3-5/8 x 15	7	17	350	12
2-1/2	2.875	.180 x 24	3-5/8 x 28	7	29	350	20
3	3.500	.156 x 12	4-5/8 x 12-3/4	8	15	350	23
3	3.500	.156 x 24	4-5/8 x 28	8	29	350	40
3-1/2	4.000	.188 x 12	4-5/8 x 12-3/4	8-5/8	15	350	25
4	4.500	.188 x 12	4-5/8 x 12-3/4	9	15	350	28
4	4.500	.188 x 24	4-5/8 x 28	9	29	350	44
4-1/2	5.000	.229 x 12	4-5/8 x 12-3/4	9	15	400	30
5-3/16 CAS	5.500	.280 x 16	4-5/8 x 19-1/2	9	21	400	42
5	5.563	.280 x 16	4-5/8 x 19-1/2	10-3/8	21	400	51
5-5/8 CAS	6.000	.280 x 16	6-5/8 x 19-1/2	10-3/8	21	935	66
6	6.625	1/4 x 16	6-5/8 x 19-1/2	11-1/4	21	900	54
6	6.625	1/4 x 24	6-5/8 x 28	11-1/4	29	900	60
6-5/8 CAS	7.000	1/4 x 16	6-5/8 x 19-1/2	11-3/4	21	900	54

Style 40 Specifications for Steel Pipe continue on Page 12

*NOTE: Larger sizes and special length bodies are available. Long couplings for CIP are available on request.

Style 40 Long Body Couplings Sizes and Specifications for Steel Pipe (cont'd)

Pipe Nominal Size (In)	Outside Pipe Diameter (OD)	Middle Ring Thickness & Length ¹ (A&B)	Bolts ² No./Diam. x Length (D&E)	Approx. Dimensions		Working Pressure ⁴ Lbs. per Sq.In.	Approx. Shipping Weight (Lbs.)
				Diam. (H)	Length ³ (L)		
7-5/8	8.000	1/4 x 16	6-5/8 x 19-1/2	13-1/4	21	750	60
8	8.625	1/4 x 16	6-5/8 x 19-1/2	13-1/4	21	750	63
8	8.625	1/4 x 24	6-5/8 x 28	13-7/8	29	750	85
10	10.750	1/4 x 24	8-5/8 x 28	14-5/8	29	600	109
10	10.750	1/4 x 16	8-5/8 x 19-1/2	14-5/8	21	600	81
11-5/8	12.000	1/4 x 16	8-5/8 x 19-1/2	16	21	550	87
12	12.750	1/4 x 16	8-5/8 x 19-1/2	16-3/4	21-3/4	550	119
12	12.750	3/8 x 24	8-5/8 x 28	17-1/8	29-3/4	550	165
14	14.000	1/4 x 16	8-5/8 x 19-1/2	18	21-3/4	550	130
16	16.000	1/4 x 16	10-5/8 x 19-1/2	21	21-3/4	450	148
	16.000	3/8 x 24	10-5/8 x 28	21	29-3/4	450	200
18	18.000	1/4 x 16	10-5/8 x 19-1/2	22	21-3/4	400	175
	18.000	3/8 x 24	10-5/8 x 28	23	29-3/4	400	235
20	20.000	1/4 x 16	12-5/8 x 19-1/2	24	21-3/4	300	201
	20.000	3/8 x 24	12-5/8 x 28	25	29-3/4	300	269
22	22.000	1/4 x 16	14-5/8 x 19-1/2	26	22-3/4	300	224
	22.000	3/8 x 24	14-5/8 x 28	27	30-3/4	300	299
24	24.000	1/4 x 16	14-5/8 x 19-1/2	28	22-3/4	300	240
	24.000	3/8 x 24	14-5/8 x 28	29	30-3/4	300	325

STAB-40 Long Couplings Sizes & Specifications for Steel Pipe

Pipe Nominal Size (In)	Outside Pipe Diameter (OD)	Middle Ring Thickness & Length ¹ (A&B)	Bolts ² No./Diam. x Length (D&E)	Approx. Dimensions		Working Pressure ⁴ Lbs. per Sq.In.	Approx. Shipping Weight (Lbs.)
				Diam. (H)	Length ³ (L)		
2	2.375	.156 x 12	3-1/2 x 15	6-1/4	17	150	15
2	2.375	.156 x 24	3-1/2 x 28	6-1/4	29	150	33
3	3.500	.156 x 12	4-5/8 x 12-3/4	8	15	350	23
3	3.500	.156 x 24	4-5/8 x 28	8	29	350	40
4	4.500	.188 x 12	4-5/8 x 12-3/4	9	15	350	28
4	4.500	.188 x 24	4-5/8 x 28	9	29	350	44
6	6.625	1/4 x 16	6-5/8 x 19-1/2	11-1/4	21	900	54
6	6.625	1/4 x 24	6-5/8 x 28	11-1/4	29	900	60
8	8.625	1/4 x 16	6-5/8 x 19-1/2	13-1/4	21	769	63
8	8.625	1/4 x 24	6-5/8 x 28	13-7/8	29	769	85
10	10.750	1/4 x 24	8-5/8 x 28	14-5/8	29	632	109
10	10.750	1/4 x 16	8-5/8 x 19-1/2	14-5/8	21	632	81
12	12.750	1/4 x 16	8-5/8 x 19-1/2	16-3/4	21-3/4	520	119

1- Middle Rings - Thicker or longer than those listed can be furnished. Please specify if pipe stop is required (supplied at no extra charge).

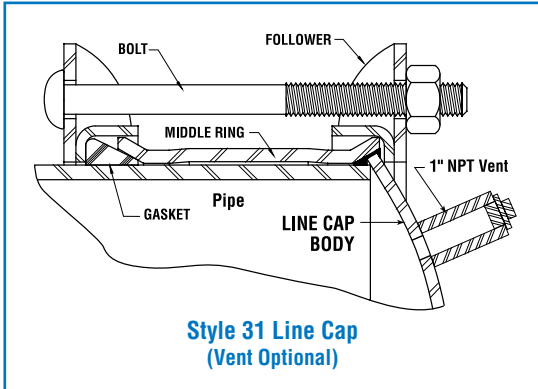
2- Bolts - Furnished E-coated steel as standard.

3- Dimension "L" - Overall length taken with fasteners drawn up finger tight.

4- Working Pressure - Pressure ratings are determined on the basis of Barlow's formula using a working stress equal to one half the minimum yield of the middle ring material.

Style 31 Line Caps

For close-off, testing and capping “dead-ends” for future branch extensions



Style 31 Line Cap
(Vent Optional)

Dresser Style 31 Line Caps are used to close off sections of a pipeline during construction and testing, and to cap off dead-ends in the line for future branch connections. Style 31 Line Caps are made from Style 38 Dresser coupling parts with a convex steel dished head welded into one end of the middle ring. One follower ring is welded to the cap itself, and only one gasket is required.

The Style 31 is regularly supplied with a 1" NPT vent and plug off-center. When ordering, please specify whether vent is to be provided,.

The Dresser Style 31 Line Cap is also available in an insulating design with insulating gasket, insulating sleeve and pipe-end separator.

WARNING: Style 31 Line Caps must NOT be used under pressure WITHOUT ANCHORAGE OR BLOCKING sufficient to withstand the entire longitudinal thrust due to internal pressure.

Materials of Construction

Followers: AISI C1012 or ASME SA36
(Ductile Iron or Malleable Iron for 1/2" thru 1-1/2")

Middle Ring: ASTM A513, ASTM A635 or ASME SA675 GR60

Bolts: AWWA C 111/ANSI A21.11

Gasket: Grade 27 BUNA S (Armored)

NOTE: See inside back cover for Style 1031 Line Cap Plugs

Style 31 Line Caps

Sizes and Specifications for Steel Pipe

Pipe Nominal Size (ID)	Outside Pipe Diameter (OD)	Middle Ring Thickness & Length (A&B)	Bolts No./Diam. x Length (D&E)	Working* Pressure Lbs. per Sq.In.	Approx. Weight Each (Lbs.)
2	2.375	.187 x 5	3-5/8 x 8-1/4	150	12
3	3.500	.188 x 5	4-5/8 x 6	150	12
4	4.500	.188 x 5	4-5/8 x 6	150	18
6	6.625	1-1/4 x 5	6-5/8 x 6	150	30
8	8.625	1-1/4 x 5	6-5/8 x 6	150	37
10	10.750	1-1/4 x 5	8-5/8 x 6	150	39
12	12.750	1-1/4 x 5	8-5/8 x 6	150	47
14	14.000	1-1/4 x 7	10-5/8 x 10-3/4	150	73
16	16.000	1-1/4 x 7	10-5/8 x 10-3/4	150	86
18	18.000	1-1/4 x 7	12-5/8 x 10-3/4	150	98
20	20.000	3/8 x 7	12-5/8 x 10-3/4	150	113
24	24.000	3/8 x 7	15-5/8 x 10-3/4	150	187

Sizes and Specifications for Cast-Iron Pipe

Pipe Nominal Size (ID)	Outside Pipe Diameter (OD)	Middle Ring Thickness & Length (A&B)	Bolts No./Diam. x Length (D&E)	Working* Pressure Lbs. per Sq.In.	Approx. Weight Each (Lbs.)
2	2.500	.187 x 5	3-5/8 x 8-1/4	150	12
3	3.800	.188 x 5	4-5/8 x 8-1/4	150	14
3	3.960	.203 x 5	4-5/8 x 8-1/4	150	18
4	4.800	.229 x 5	4-5/8 x 8-1/4	150	22
4	5.000	.229 x 5	4-5/8 x 8-1/4	150	23
6	6.900	1/4 x 5	6-5/8 x 8-1/4	150	32
6	7.100	1/4 x 5	6-5/8 x 8-1/4	150	37
8	9.050	1/4 x 5	6-5/8 x 8-1/4	150	42
8	9.300	1/4 x 5	6-5/8 x 8-1/4	150	45
10	11.100	3/8 x 7	8-5/8 x 10-3/4	150	71
10	11.400	3/8 x 7	8-5/8 x 10-3/4	150	72
12	13.200	3/8 x 7	8-5/8 x 10-3/4	150	100
12	13.500	3/8 x 7	8-5/8 x 10-3/4	150	106
14	15.300	3/8 x 7	10-5/8 x 10-3/4	150	120
14	15.650	3/8 x 7	10-5/8 x 10-3/4	150	124
16	17.400	3/8 x 7	10-5/8 x 10-3/4	150	136
16	17.800	3/8 x 7	10-5/8 x 10-3/4	150	147
18	19.500	3/8 x 7	12-5/8 x 10-3/4	150	163
18	19.920	3/8 x 7	12-5/8 x 10-3/4	150	167
20	21.600	3/8 x 7	12-5/8 x 10-3/4	150	183
20	22.060	3/8 x 7	14-5/8 x 10-3/4	150	192
24	25.800	3/8 x 7	15-5/8 x 10-3/4	150	230
24	26.320	3/8 x 7	15-5/8 x 10-3/4	150	235

NOTE: All Style 31 Line Caps supplied with 1" vents as standard. Larger sizes are available. Consult factory for your particular requirements. *Higher pressures available per application.

Style 63 Expansion Joints

For absorbing concentrated pipe movement

Dresser Style 63 Expansion Joints provide an economical method of absorbing the concentrated expansion and contraction of piping systems. Aggressive wear and pipe wall failure caused by fatigue of the convoluted surfaces present in rubber accordion or metal bellows types is eliminated with Dresser expansion joints. There is no need for expensive pipe loop systems.

Dresser expansion joints are built to order with limited-movement options, flanged, lock coupled, or weld ends. Provided with rugged welded steel construction, Dresser expansion joints are available in stainless or carbon steel, monel or other alloys for special applications. Available in single-end (Type 1 and Type 3 shown below) with pipe movements up to 10" as standard, and double-end (Type 2 & 4) to accommodate 8" of pipe movement (4" at each end). Larger amounts of movement are available per application.

Standard packing consists of alternate split rubber-compound rings and split jute rings. Special packing and lubrication requirements are custom-matched to specific application requirements.

Dresser expansion joints are available with Dresser AL-CLAD™ coating for optimum protection against coke oven, gas, petroleum and other line content.



Materials of Construction

Body: AISI C1006, C1010, C1015, C1025

or ASTM A513 Carbon Steel

Follower: AISI C1012, C1021, ASTM A20 or A36 Carbon Steel

Slip Pipe: Chrome plated

Tail Pipe: AISI C1006, C1010, C1015, C1025

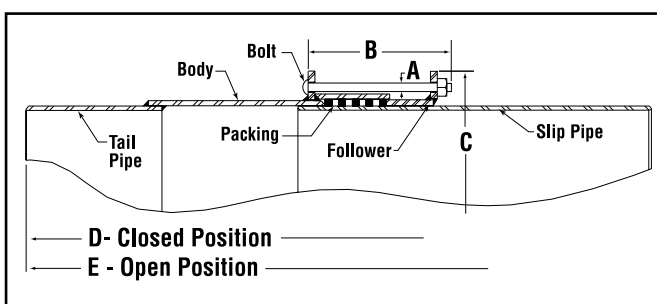
or ASTM A513 Carbon Steel

Bolts & Nuts: ANSI/AWWA C111/ANSI A21.11

Packing: Standard packing is alternate rings of Buna-S and lubricating split jute

Style 63 Type 1 Sizes and Specifications

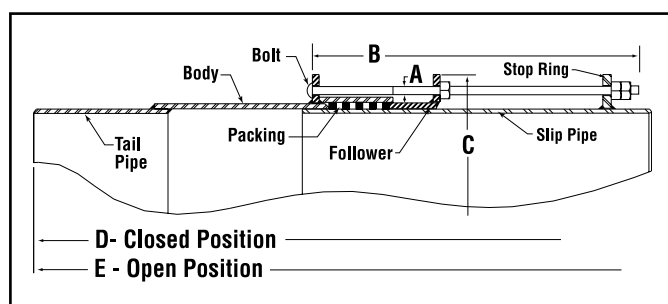
Pipe Nominal Size (In)	Outside Diameter (OD)	Bolts No./Diam. x Length (A&B)	Overall Dimensions		Weight Per Joint (Lbs)
			Diam. (C)	Length (D) (E)	
3	3.500	4-5/8 x 11	8-1/2	36 46	65
4	4.500	4-5/8 x 11	9-1/2	36 46	75
5	5.563	4-5/8 x 11	10-5/8	36 46	110
6	6.625	6-5/8 x 11	11-3/4	36 46	130
8	8.625	6-5/8 x 11	13-3/4	36 46	180
10	10.750	8-5/8 x 11	15-7/8	36 46	250
12	12.750	8-5/8 x 11	17-7/8	36 46	315
	14.000	8-5/8 x 11	19-1/2	36 46	340
	16.000	10-5/8 x 11	21-1/2	36 46	380
	18.000	10-5/8 x 11	23-1/2	36 46	415
	20.000	12-5/8 x 11	25-1/2	36 46	470
	22.000	14-5/8 x 11	27-1/2	36 46	525
	24.000	14-5/8 x 11	29-1/2	36 46	565



Type 1 is a single-end expansion joint permitting up to 10" of concentrated pipe movement. Standard packing consists of alternate layers of split resilient sealing rings and jute lubricating rings. Other packing for special conditions can be supplied.

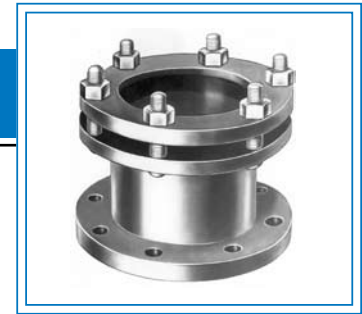
Style 63 Type 3 Sizes and Specifications

Pipe Nominal Size (In)	Outside Diameter (OD)	Bolts No./Diam. x Length (A&B)	Overall Dimensions		Weight Per Joint (Lbs)
			Diam. (C)	Length (D) (E)	
3	3.500	4-5/8 x 24	8-1/2	36 46	80
4	4.500	4-5/8 x 24	9-1/2	36 46	90
5	5.563	4-5/8 x 24	10-5/8	36 46	125
6	6.625	6-5/8 x 24	11-3/4	36 46	155
8	8.625	6-5/8 x 24	13-3/4	36 46	205
10	10.750	8-5/8 x 24	15-7/8	36 46	285
12	12.750	8-5/8 x 24	17-7/8	36 46	350
	14.000	8-5/8 x 24	19-1/2	36 46	385
	16.000	10-5/8 x 24	21-1/2	36 46	430
	18.000	10-5/8 x 24	23-1/2	36 46	470
	20.000	12-5/8 x 24	25-1/2	36 46	530
	22.000	14-5/8 x 24	27-1/2	36 46	590
	24.000	14-5/8 x 24	29-1/2	36 46	635



Type 3 is a single-end expansion joint equipped with a limited movement feature to limit the maximum amount of pipe withdrawal. Slip pipes are regularly furnished for Type 3 expansion joints.

Style 128 Flange Adapter



Fabricated to order from high-strength steel, **Dresser Style 128 Flange Adapters** afford the engineer a complete size range up to 24" diameter in steel and cast-iron sizes. ANSI B16.5 Class 150 flanges are standard. Other types and classes can be provided on request.

The compression end of the adapter has a Dresser coupling type design utilizing a wedge gasket for an efficient, leak-proof seal. Insulating designs can also be furnished. Larger sizes up to 96" are available upon request.

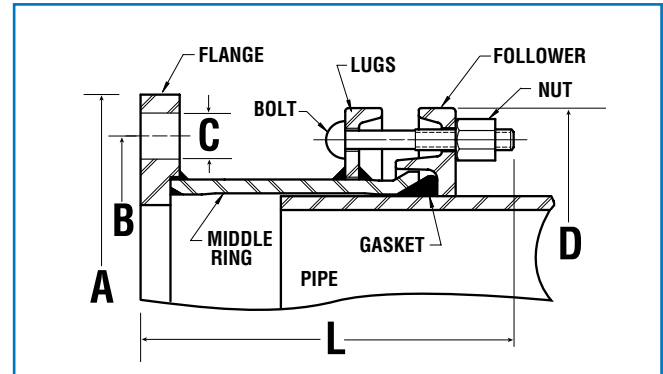
Materials of Construction

Follower: AISI C1012 or ASME SA36

Body & Flange: ASTM A513, ASTM A635 or ASME SA675 GR60

Bolts & Nuts: Alloy to AWWA C 111/ANSI A21.11

Gasket: Grade 27 BUNA S



Style 128 Flange Adapter* Sizes and Specifications for Steel Pipe

Nominal Size (Steel)	Outside Diameter (Inches)	Body Thickness	Follower End Bolts Number Diam. & Length	Overall Flange Diameter (A)	Bolt Circle Diameter (B)	No. of Bolt Holes x Diameter (C)	Overall Follower Diameter (D)	Approx. Overall Length (L)	Approx. Shipping Weight (Lbs)
2	2-3/8	.156	3-5/8 x 4	6	4-3/4	4 x 3/4"	6-1/4	8-5/8	14
3	3-1/2	.156	4-5/8 x 4	7-1/2	6	4 x 3/4"	7-3/8	8-13/16	19
4	4-1/2	.188	4-5/8 x 4	9	7-1/2	8 x 3/4"	8-3/4	8-13/16	25
5	5-9/16	1/4	4-5/8 x 4	10	8-1/2	8 x 7/8"	9-5/8	9-9/16	30
6	6-5/8	1/4	6-5/8 x 4	11	9-1/2	8 x 7/8"	11-1/4	9-5/8	38
8	8-5/8	1/4	6-5/8 x 4	13-1/2	11-3/4	8 x 7/8"	13-1/4	9-3/4	52
10	10-3/4	1/4	8-5/8 x 4	16	14-1/4	12 x 1"	14-5/8	9-13/16	58
12	12-3/4	1/4	8-5/8 x 4	19	17	12 x 1"	16-5/8	9-7/8	79
	14	1/4	8-5/8 x 4	21	18-3/4	12 x 1-1/8"	18	10	89
	16	3/8	10-5/8 x 4	23-1/2	21-1/4	16 x 1-1/8"	20	10-1/16	103
	18	1/4	10-5/8 x 4-1/2	25	22-3/4	16 x 1-1/4"	22	10-11/16	112
	20	3/8	12-5/8 x 4-1/2	27-1/2	25	20 x 1-1/4"	24-1/16	10-13/16	127
	24	3/8	14-5/8 x 4-1/2	32	29-1/2	20 x 1-3/8"	28	11	184

Style 128 Flange Adapter* Sizes and Specifications for Cast-Iron Pipe

Nominal Size (CIP)	Outside Diameter (Inches)	Body Thickness	Follower End Bolts Number Diam. & Length	Overall Flange Diameter (A)	Bolt Circle Diameter (B)	No. of Bolt Holes x Diameter (C)	Overall Follower Diameter (D)	Approx. Overall Length (L)	Approx. Shipping Weight (Lbs)
3	3.74 - 4.02	.188	4-5/8 x 4	7-1/2	6	4 x 3/4"	7-3/4	8-11/16	25
4	4.74 - 5.06	.229	4-5/8 x 4	9	7-1/2	8 x 3/4"	9	9-7/16	30
6	6.84 - 7.16	1/4	4-5/8 x 4	11	9-1/2	8 x 7/8"	11-3/16	9-1/16	36
8	8.99 - 9.36	1/4	6-5/8 x 4	13-1/2	11-3/4	8 x 7/8"	13-1/2	9-1/16	50
10	11.04 - 11.46	3/8	8-5/8 x 4	16	14-1/4	12 x 1"	15-9/16	9-3/16	69
12	13.14 - 13.56	3/8	8-5/8 x 4-1/2	19	17	12 x 1"	17-13/16	9-11/16	95

*Rated 150 psi as standard

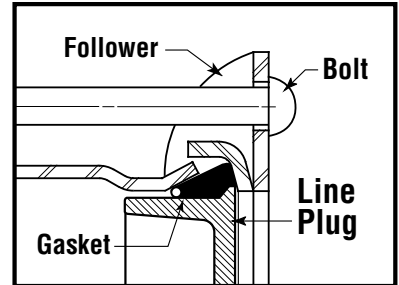
Style 1031 & 2090 Line Cap Plugs

For close off, testing and “dead-ends” on pipe line extensions

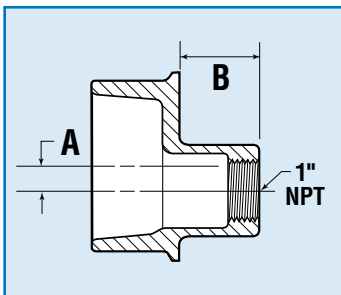
For a dependable and gas tight installation, **Dresser Line Cap Plugs** provide a convenient way to (1) close off sections of pipe during construction, (2) for testing, (3) for use as “dead-ends”, (4) as an end plug fitting for future branch extensions, or (5) for end closures to seal off abandoned lines.

Dresser Style 1031 line cap plugs can be furnished with a 1” vent (including a 1” threaded plug) in 2”, 3”, 4” and 6” IPS sizes. The line cap plug can simply be inserted into any standard Dresser bolted coupling including the Style 38, Style 40 Long Body, the non-insulating end of the Style 39 and 39-40, and the steel pipe end of the Style 62 and 39-62 couplings.

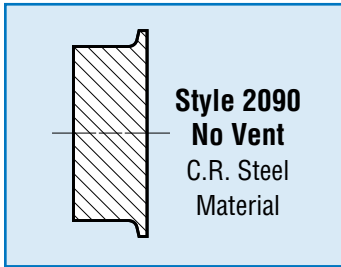
Steel line cap plugs (**Dresser Style 2090**) are furnished without vent for Style 90 compression couplings and are available in 3/4”, 1”, 1-1/4”, 1-1/2” and 2” IPS sizes.



Specifications for Plug with Vent Malleable Iron Material



Style 1031 Plug (With Vent)			
Pipe Size		Dimensions	
Nom. I.D.	O.D.	A	B
2"	2.375	On Center	1-5/8"
3"	3.500	1/2"	1-5/8"
4"	4.500	1"	1-5/8"
6"	6.625	1-5/16"	1-5/8"



Style 2090 Plug (Without Vent)	
Pipe Size	
Nom. I.D.	O.D.
3/4"	1.050
1"	1.315
1-1/4"	1.660
1-1/2"	1.900
2"	2.375

⚠ WARNING

Block or Anchor

For lines under pressure and longitudinal thrust, coupling **MUST** be blocked or anchored to avoid pullout. Failure to anchor coupling could result in escaping line content that could cause property damage, serious injury or death.

Other Applicable Warnings for DRESSER Seal-Only Products

⚠ WARNING

When pipe pullout could occur, pipe joint **MUST** be anchored. Failure to anchor pipe joint could result in escaping line content that could ignite and cause property damage, serious injury or death.

⚠ WARNING

Block or Anchor

For lines under pressure and longitudinal thrust, coupling **MUST** be blocked or anchored to avoid pullout. Failure to anchor coupling could result in escaping line content that could cause property damage, serious injury or death.

⚠ WARNING

Do not butt pipe ends in the coupling. Butted pipe ends could result in escaping line content that could ignite and cause property damage, serious injury or death.

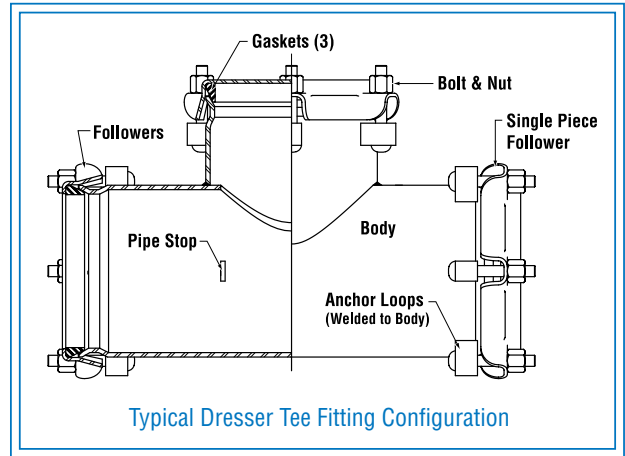
Styles 69, 168, 71 & 72 End Fittings

Custom-built ells, tees, crosses, wyes and laterals

Dresser Compression End Fittings are used to make custom connections, turns and bends in any combination of pipe branches and run outlets. All fittings are of sleeve-type construction and manufactured with the same materials as the standard Dresser Style 38 and Style 40 coupling parts. Each end consists of a steel anchor ring welded to the fabricated sleeve body, a resilient wedge-type gasket with a steel follower, and a set of trackhead bolts—fully assembled and ready to install.

Available in 1-1/4" through 12" size combinations, these fittings absorb all normal pipe movement and deflection while eliminating cutting pipe to exact lengths. When branch ends are left plain, Dresser Style 38 couplings can be furnished for making pipe connections.

Consult Dresser for your particular requirements and ordering specifications.



Customized End Fittings

Sizing Guidelines and Specifications for Steel Pipe*

Pipe Nominal Size (In)	Outside Pipe Diameter (OD)	Sleeve Body Thickness	Bolts per Dresser End		Approx. Shipping Weights (Lbs. Each)			
			71 & 72 Number Diam. x Length	69 & 168 Number Diam. x Length	Style 71 Tees/Wyes	Style 72 Cross./Lats.	Style 69 45° Ells	Style 68 90° Ells
1-1/4	1.660	.154	2 – 1/2 x 7-1/4	4 – 1/2 x 2-1/2	6	6	7	7
1-1/2	1.900	.165	2 – 1/2 x 7-1/4	4 – 1/2 x 2-1/2	7	7	8	8
2	2.375	.156	3 – 5/8 x 8-1/4	4 – 5/8 x 3-1/2	22	38	20	20
2-1/2	2.875	.180	3 – 5/8 x 8-1/4	4 – 5/8 x 3-1/2	33	53	24	24
3	3.500	.156	4 – 5/8 x 6	4 – 5/8 x 3-1/2	37	59	31	27
3-1/2	4.000	.188	4 – 5/8 x 6	4 – 5/8 x 3-1/2	45	70	35	30
4	4.500	.188	4 – 5/8 x 6	4 – 5/8 x 3-1/2	51	72	38	34
4-1/2	5.000	.188	4 – 5/8 x 6	4 – 5/8 x 3-1/2	55	85	43	37
5	5.563	1/4	4 – 5/8 x 6	6 – 5/8 x 3-1/2	66	97	47	46
	6.000	1/4	6 – 5/8 x 6	6 – 5/8 x 3-1/2	80	109	62	50
6	6.625	1/4	6 – 5/8 x 6	6 – 5/8 x 3-1/2	90	130	70	55
	8.000	1/4	6 – 5/8 x 6	6 – 5/8 x 3-1/2	95	142	75	62
8	8.625	1/4	6 – 5/8 x 6	6 – 5/8 x 3-1/2	139	197	81	73
	10.000	1/4	8 – 5/8 x 8-3/4	8 – 5/8 x 3-1/2	176	250	100	83
10	10.750	1/4	8 – 5/8 x 8-1/4	8 – 5/8 x 3-1/2	192	275	122	109
	12.000	1/4	8 – 5/8 x 10-3/4	8 – 5/8 x 3-1/2	220	308	138	122
12	12.750	1/4	8 – 5/8 x 8-1/4	8 – 5/8 x 3-1/2	280	396	172	160
	14.000	3/8	8 – 5/8 x 10-3/4	8 – 5/8 x 4	307	430	203	168
	16.000	3/8	10 – 5/8 x 10-3/4	10 – 5/8 x 4	380	520	260	195
	18.000	3/8	10 – 5/8 x 10-3/4	10 – 5/8 x 4	490	680	330	250
	20.000	3/8	12 – 5/8 x 10-3/4	12 – 5/8 x 4	580	787	390	290
	22.000	3/8	14 – 5/8 x 10-3/4	14 – 5/8 x 4	690	948	480	345
	24.000	3/8	14 – 5/8 x 10-3/4	14 – 5/8 x 4	790	1085	550	420

*Consult factory for exact product specifications for your particular requirements.

See additional Style 38 sizes and specification data on Page 4

Other DRESSER® Products for Gas Piping Systems

Prefabricated Gate Stations

Dresser® utilizes its unique combination of engineering expertise and custom fabrication capabilities to produce truly “cost effective” prefabricated modular meter sets and gas transmission & regulation gate stations. Our prefabricated sets significantly reduce field installation costs by lowering material and labor costs required for field pipe cutting, beveling, welding, threading, coating and testing. Prefabricated gate stations are custom-built to customer specifications and configurations and offer a variety of valving options to suit your particular M&R system requirements.



Excess Flow Valves

The safe, economical choice for safety in the event of a catastrophic line rupture.

When a damaged service line allows natural gas leakage into residential or commercial buildings, both lives and property are at risk. Dresser developed its Excess Flow Device to reduce that risk by restricting gas flow automatically when a service line flow condition exceeds the normal operating flow such as would occur with third party damage.

Each Dresser Excess Flow Device is factory-tested to assure it performs within the designated trip flow and bypass flow range and complies with CFR Title 49 D.O.T. 192.381 and MSS-SP-115 governing standards. Fusion, weld and mechanical configurations are available factory-integrated in a variety of carrier fittings. Manufactured for 10 - 60 psi service applications. Consult factory for other pressure ratings.



BLACKHAWK Hot Tap and LineStop Fittings

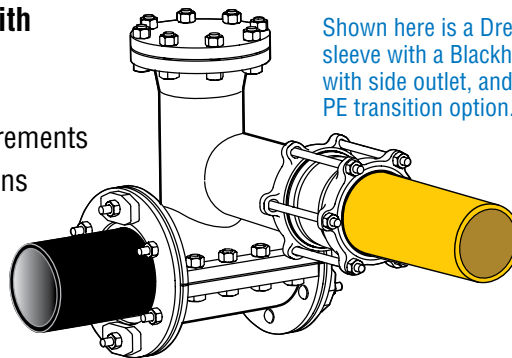
BLACKHAWK™ manufactures hot tapping and line stop fittings and accessories for the natural gas, oil and chemical industries. **LS-2 Pressure Control Fittings** are available for steel piping systems in threaded sizes from 1/4" through 3" and flange fittings from 4" through 12".

Full-encirclement LineStop fittings are available in ANSI 150, 300, 600 and 900 Series from 4" through 48" sizes. Split sleeve fittings are also manufactured with side outlet, spherical configurations and with a plain raised face weld neck flange for hot tapping. LineStop Flanges and Completion Plugs are also available. LS-2 Pressure Control Fittings and LineStop Fittings are compatible with specific tapping and plugging equipment and are designed to carry the extra loads imposed during hot tapping and line stopping operations. All fittings meet DOT 192 Federal Regulation for gas pipelines; and DOT 195 Federal Regulation for liquid pipelines and most international codes.



Blackhawk fittings are easily integrated with a variety of Dresser mechanical products.

- Pre-engineered configurations
- Custom-fabricated to your specs and requirements
- Ideally suited for cast-iron piping applications
- Eliminates the need for field welding
- Factory-tested, factory-coated



Shown here is a Dresser Style 50 mechanical split sleeve with a Blackhawk 150# LS-2 weld fitting with side outlet, and a Dresser Style 711 coupled PE transition option.

Piping Specialties

41 Fisher Avenue, Bradford, PA 16701

Phone: (814) 362-9200

Fax: (814) 362-9344

Email: dmdsales@dresser.com



www.dresser.com