



# STI Marine & Offshore

***PENETRATION SEALS  
FOR FIRE-RATED BULKHEADS & DECKS***



## Applications



Cables



Steel pipes



Plastic pipes



Multiple penetrants

## STI Solutions

**MFS** Marine Firestop Sealant



**MFC** Marine Firestop Collar



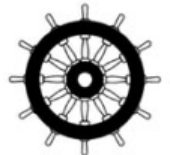
**MFC-W** Marine Watertight Firestop Collar



**MDM** Marine Fire Rated Pathway



**MPU** Marine Firestop Putty



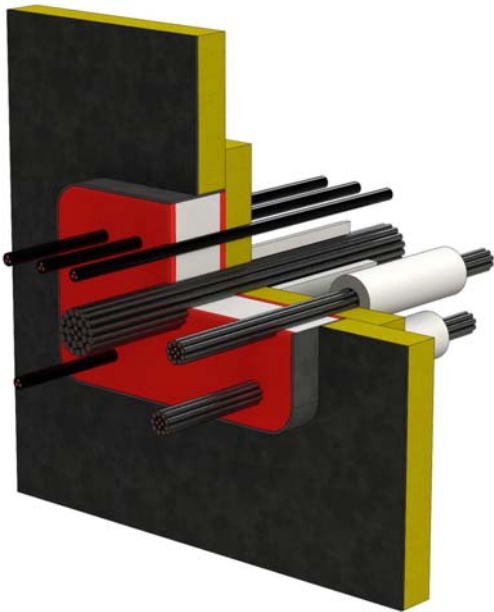


## Cables / Câbles



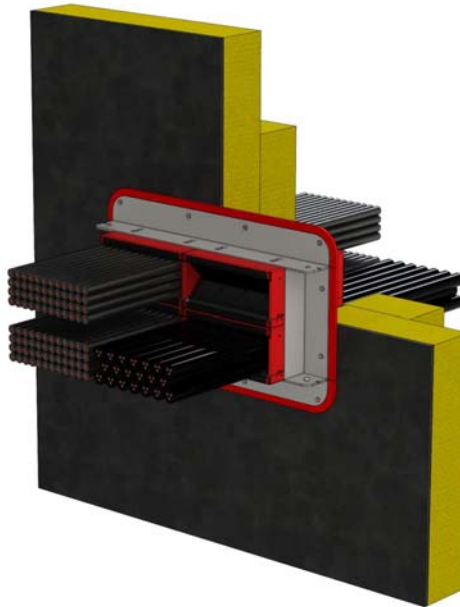
**MFS**

**Marine Firestop Sealant /  
Mastic coupe-feu marine**



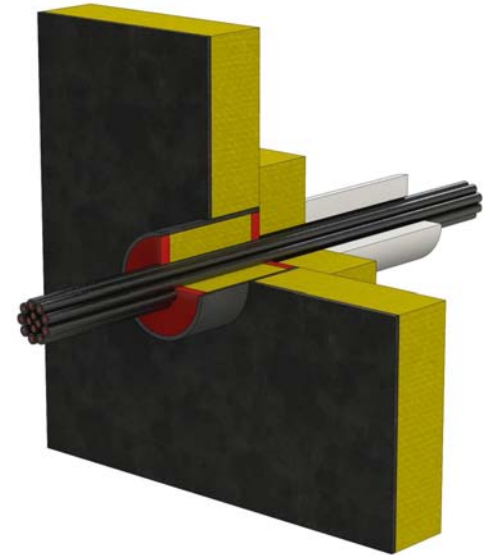
**MDM**

**Marine Fire Rated Pathway /  
Module coupe-feu marine**



**MPU**

**Marine Firestop Putty /  
Putty coupe-feu marine**



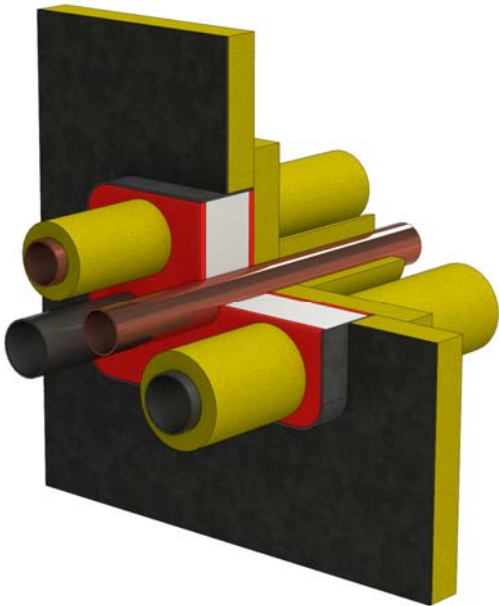


## Steel pipes / Tuyaux métalliques



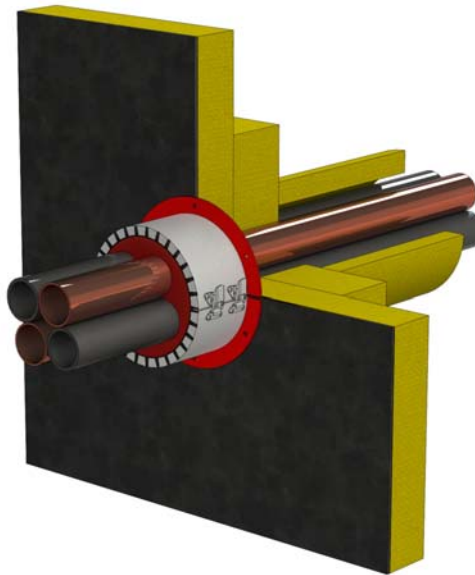
**MFS**

**Marine Firestop Sealant /**  
Mastic coupe-feu marine



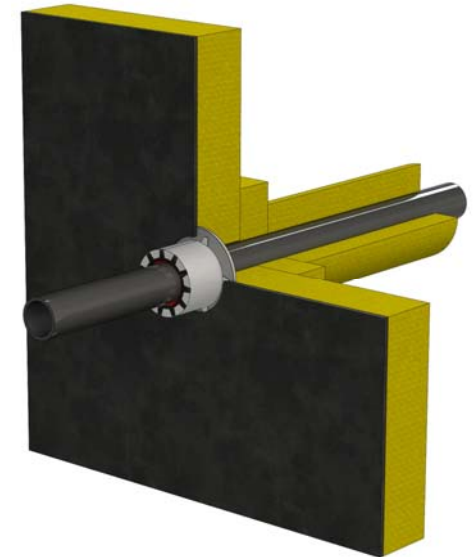
**MFC + MPU**

**Marine Firestop Collar /**  
Collier marine coupe-feu



**MFC-W**

**Marine Watertight Firestop Collar /**  
Collier marine coupe-feu étanche





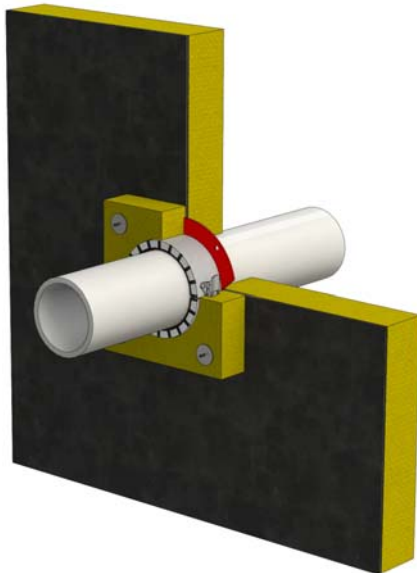


## Plastic pipes / tuyaux plastiques



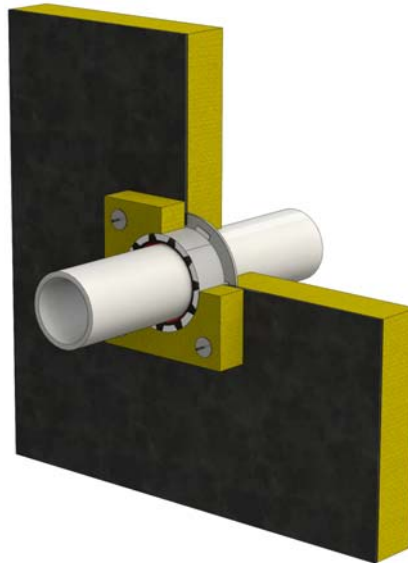
**MFC**

**Marine Firestop Collar /  
Collier marine coupe-feu**



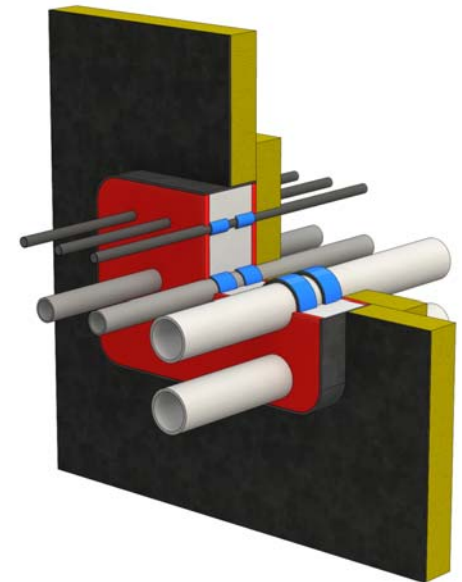
**MFC-W**

**Marine Watertight Firestop Collar /  
Collier marine coupe-feu étanche**



**MFS**

**Marine Firestop Sealant /  
Mastic coupe-feu marine**

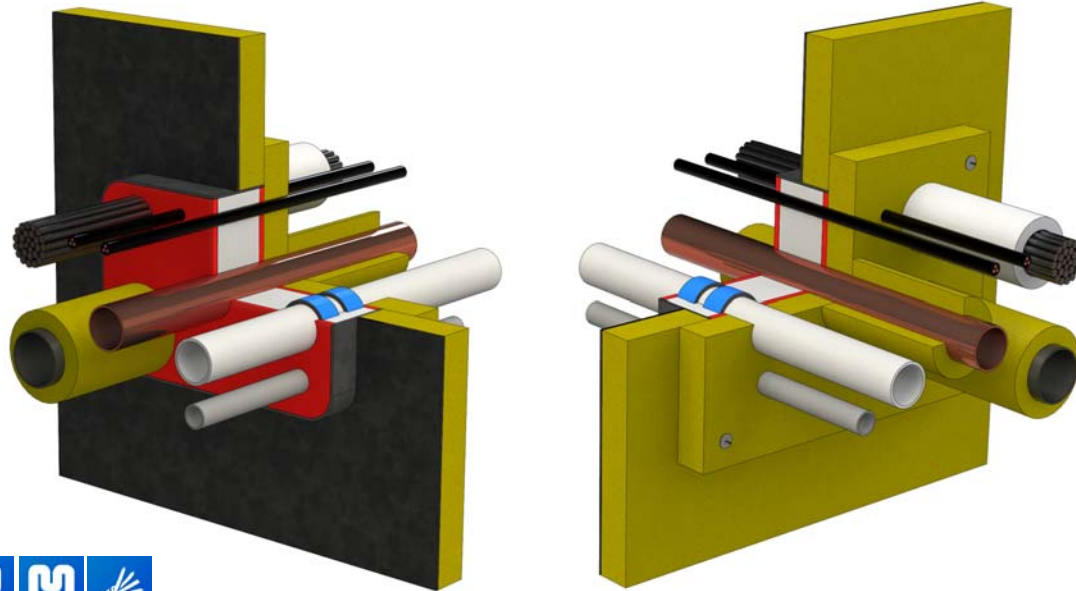




## Multiple penetrants / Traversées multiples

**MFS**

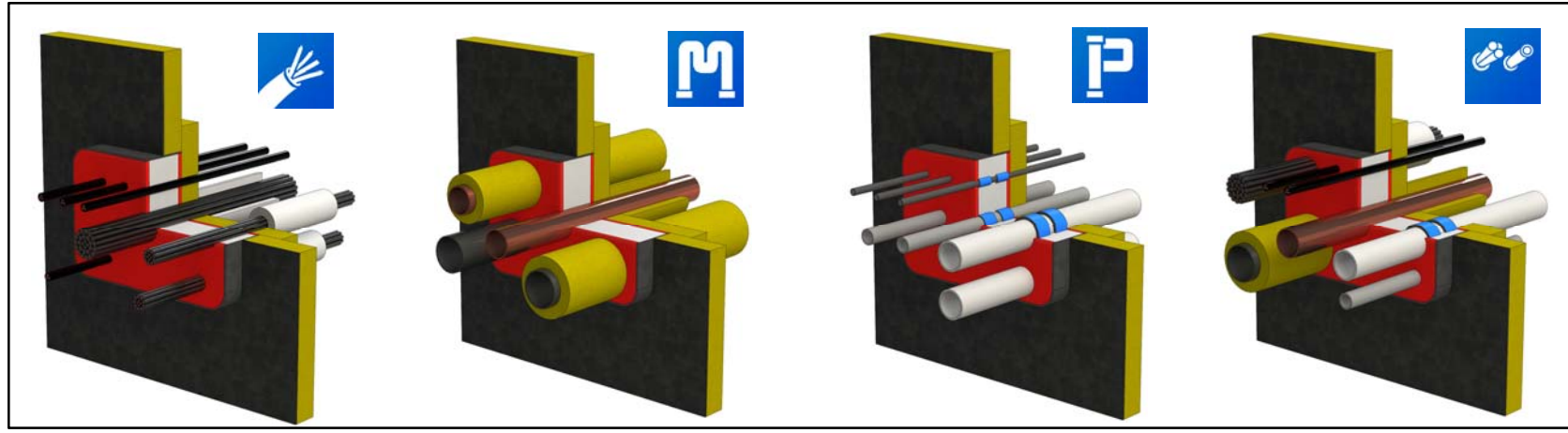
**Marine Firestop Sealant /**  
Mastic coupe-feu marine



**MFS**

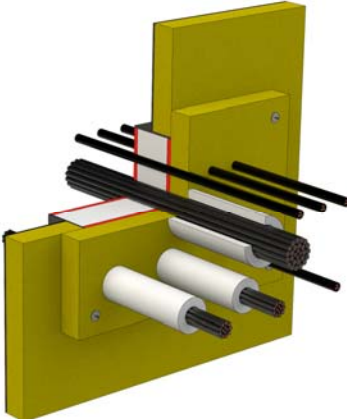
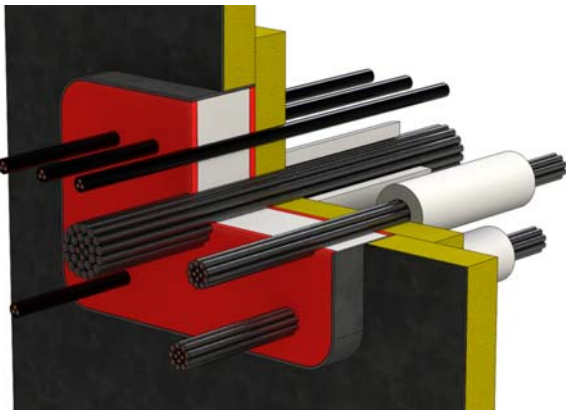
# Marine Firestop Sealant / Mastic coupe-feu marine

A single component, flexible, hybrid-polymer firestop sealant for use as a penetration seal in fire-rated bulkheads and decks.



# Bulkhead

## Large openings / Grandes ouvertures



Image

## Small openings / Petites ouvertures

Image

Image

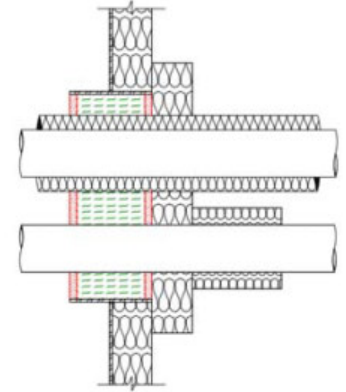
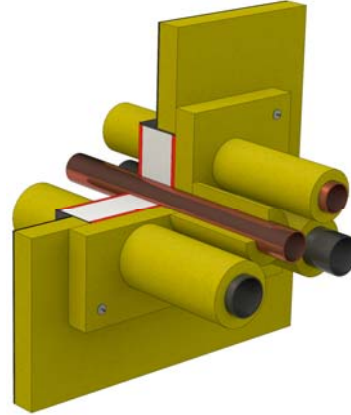
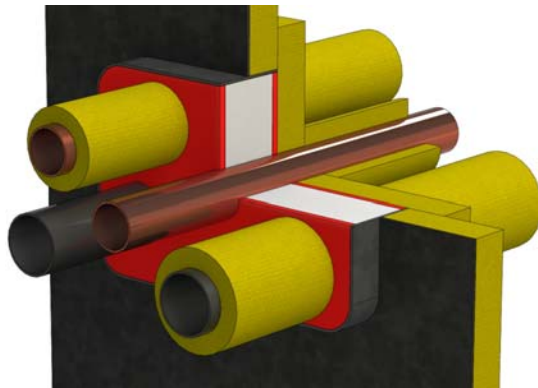
Image



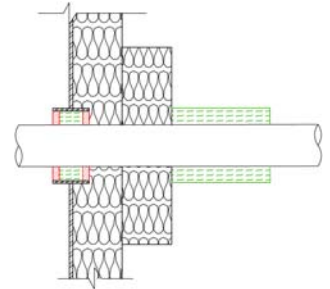
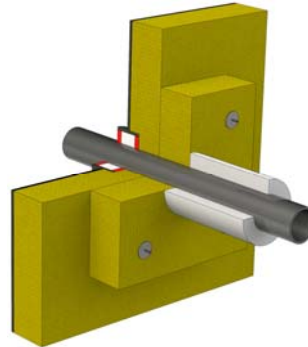
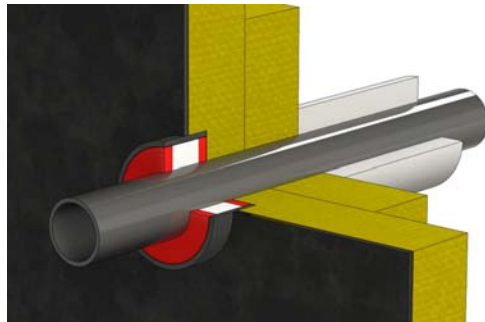
# Bulkhead



## Large openings / Grandes ouvertures

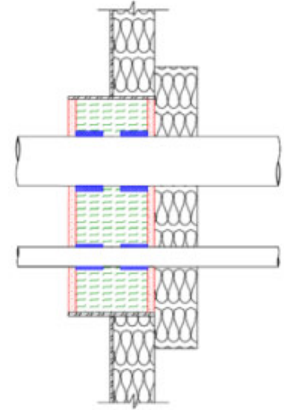
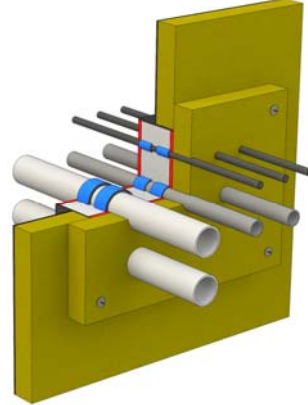
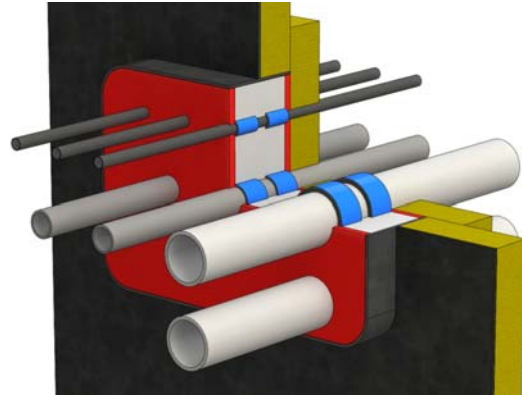


## Small openings / Petites ouvertures

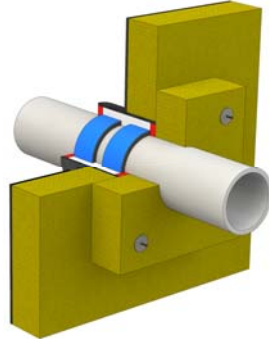
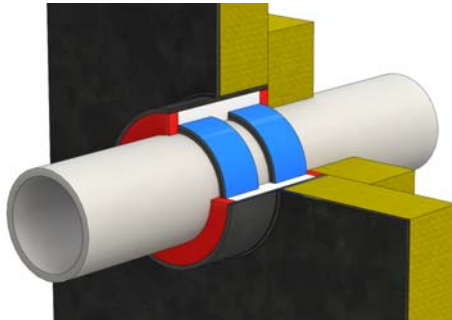


# Bulkhead

## Large openings / Grandes ouvertures



## Small openings / Petites ouvertures



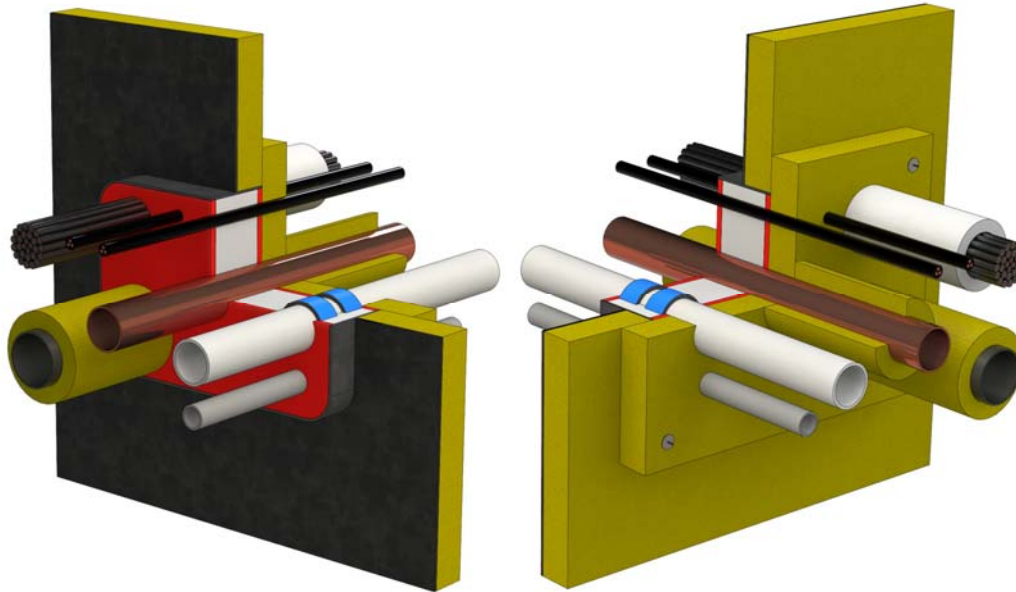
Image

# Bulkhead



**MFS**

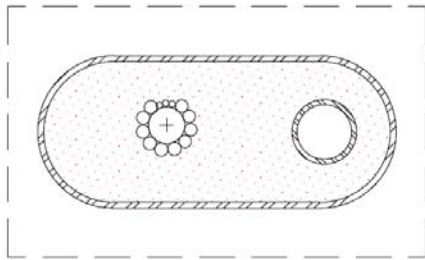
Large and small openings / Grandes ouvertures



*Image*



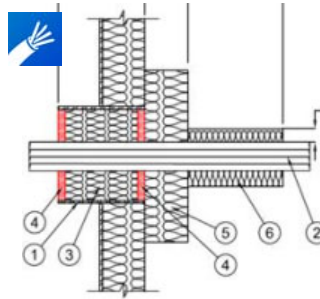
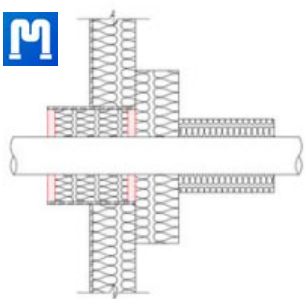
# Marine Firestop Sealant



Welded sleeve



Mineral wool installation



Exposed Side

Image

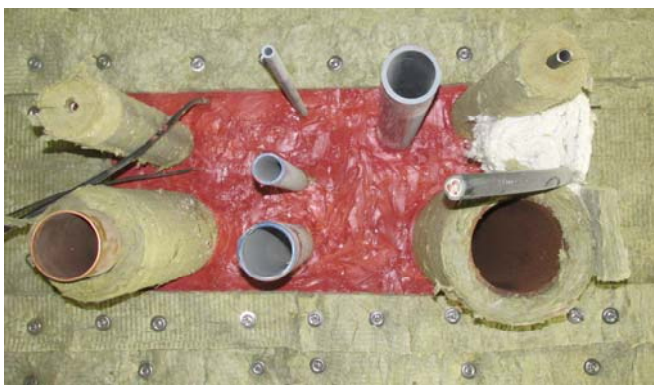
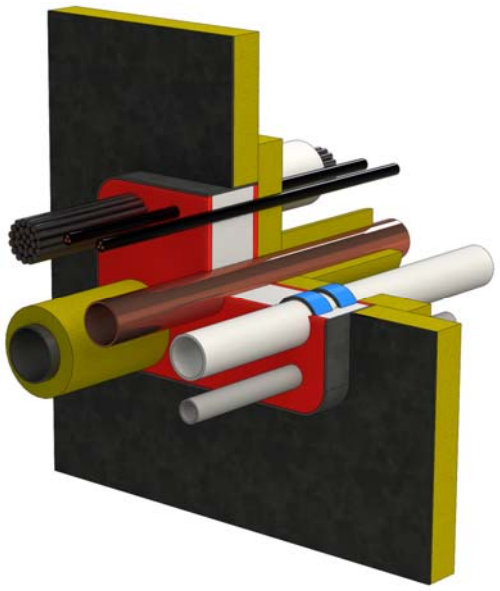
unexposed Side



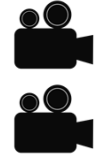


**MFS**

# Marine Firestop Sealant



Image



**MFC**

# Marine Firestop Collar / Collier marine coupe-feu



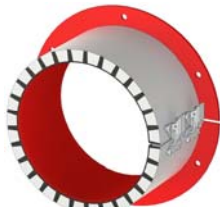
Factory-manufactured, intumescent device for use as a penetration seal in fire-rated bulkheads and decks.



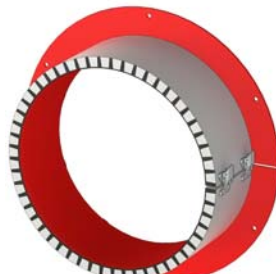
MFC16 – MFC40



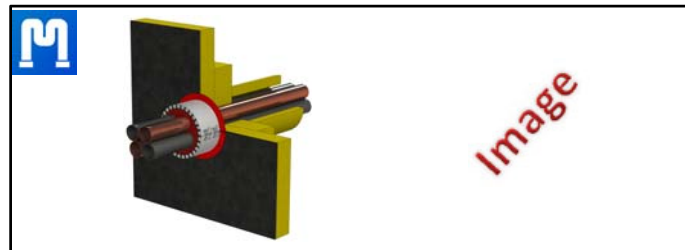
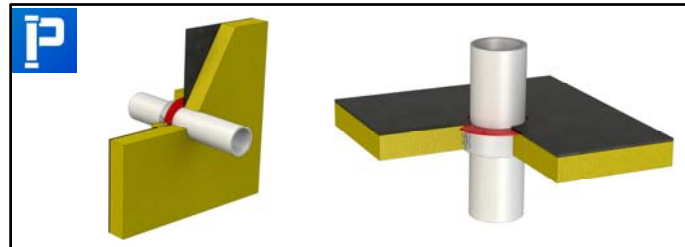
MFC50 – MFC115



MFC125 – MFC169



MFC200 – MFC324

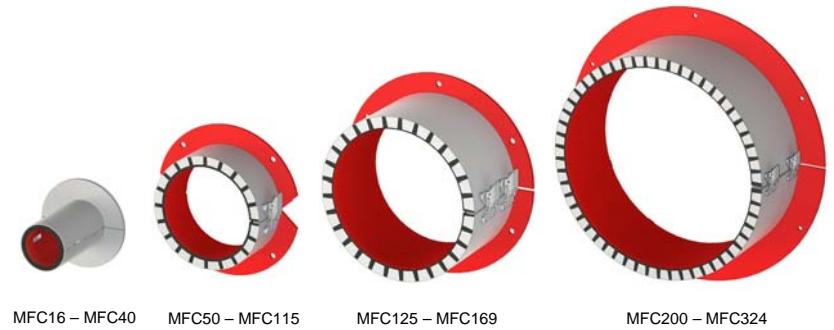
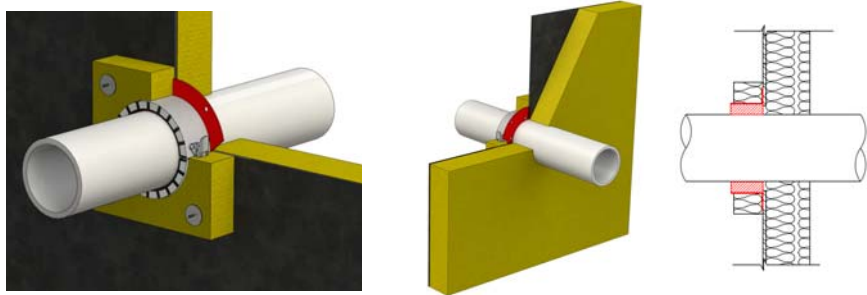


# Bulkhead

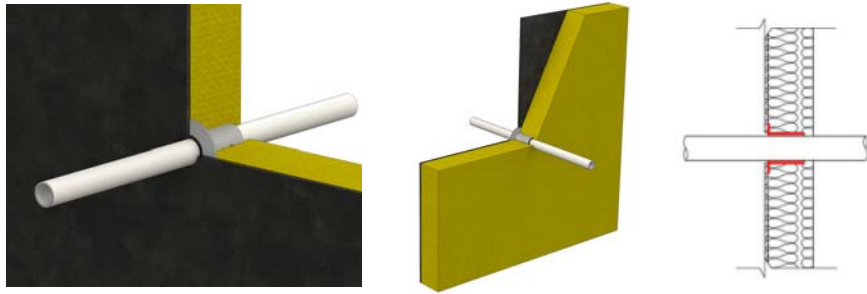
 Plastic pipes / Tuyaux plastiques

**MFC** Marine Firestop Collar / Collier marine coupe-feu

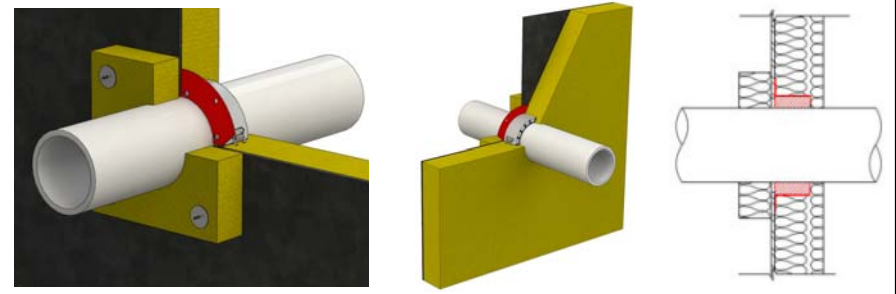
Exposed : MFC16 – MFC324



Unexposed : MFC16 – MFC50



Unexposed : MFC60 – MFC115

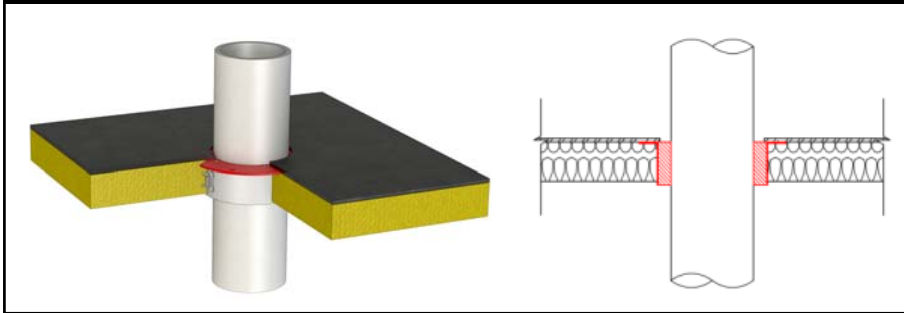


# Deck

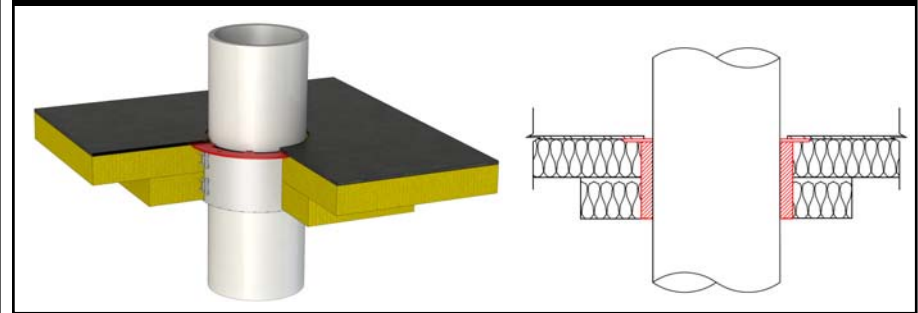
## Plastic pipes / Tuyaux plastiques

### Marine Firestop Collar / Collier marine coupe-feu

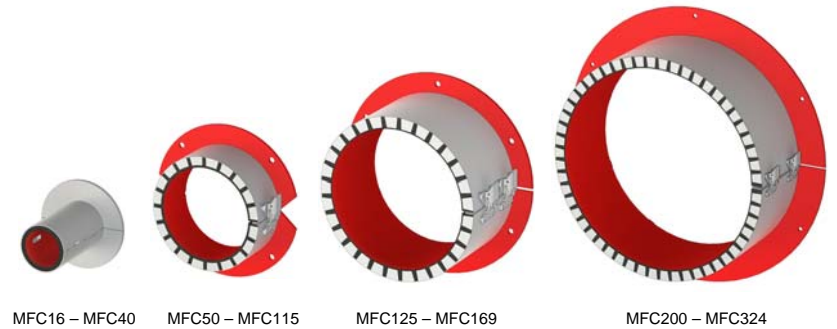
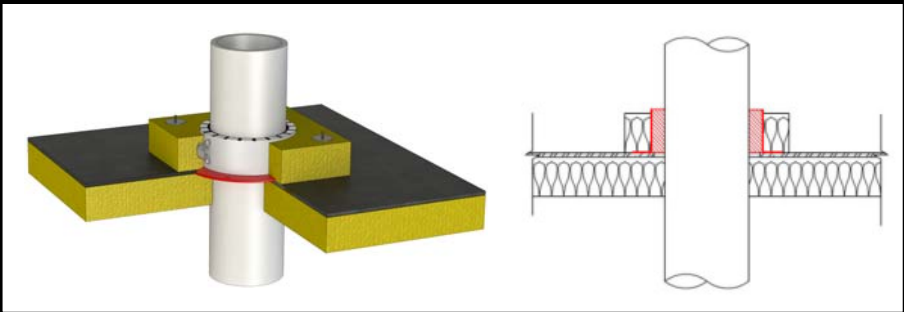
Exposed : MFC16 – MFC50



Exposed : MFC60 – MFC115

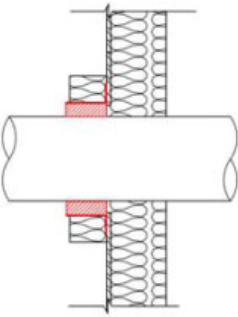


Unexposed : MFC16 – MFC324

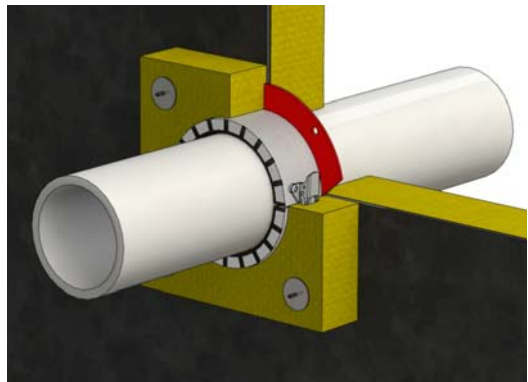




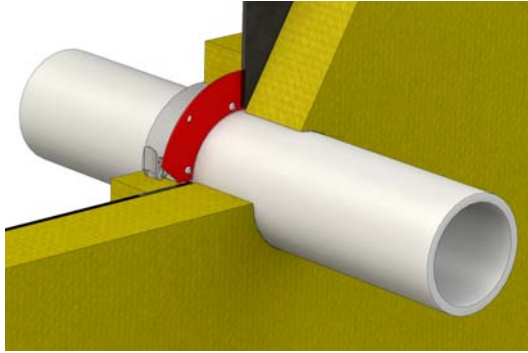
# Bulkhead



## Exposed side

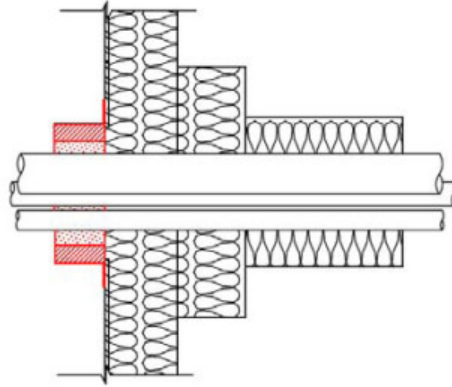
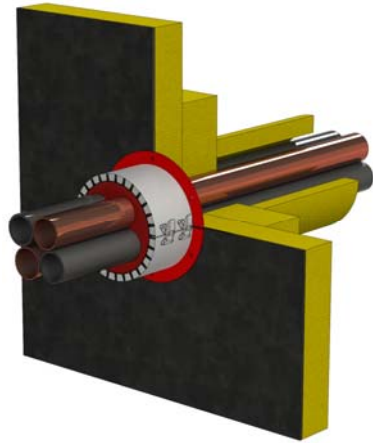


## Unexposed side



# Steel pipes / Tuyaux métalliques

**MFC** + **MPU** Marine Firestop Collar + Marine Firestop Putty



Exposed Side

Image

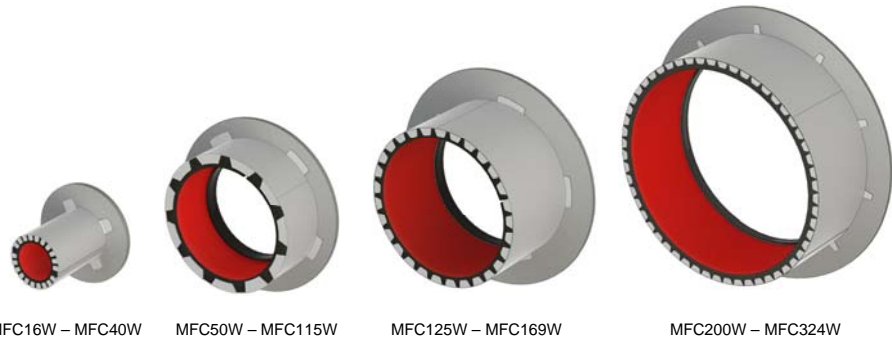
unexposed Side



## Marine Watertight Firestop Collar / Collier marine coupe-feu étanche



Water-tight, factory-manufactured, intumescent device for use as a penetration seal in fire-rated bulkheads and decks.

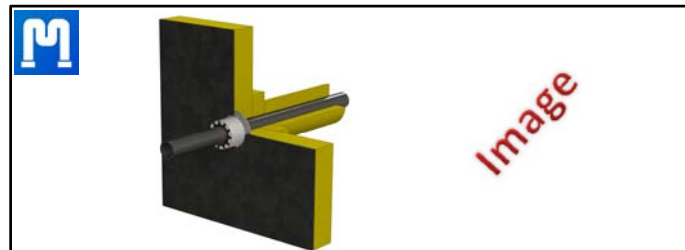
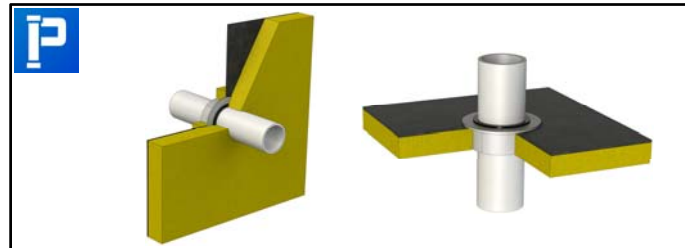


MFC16W – MFC40W

MFC50W – MFC115W

MFC125W – MFC169W

MFC200W – MFC324W

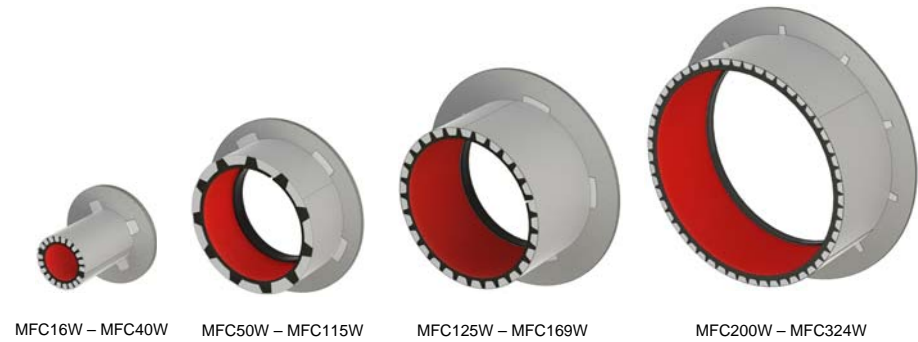
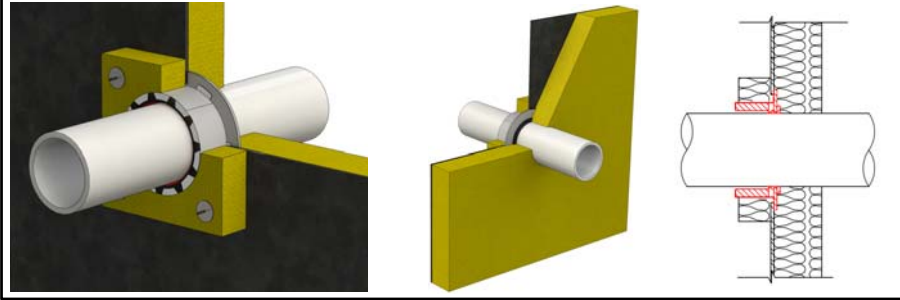


# Bulkhead

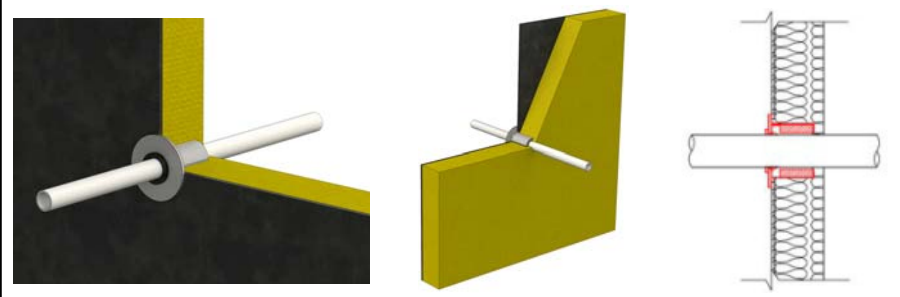
Plastic pipes / Tuyaux plastiques

**MFC-W** Marine Watertight Firestop Collar / Collier marine coupe-feu étanche

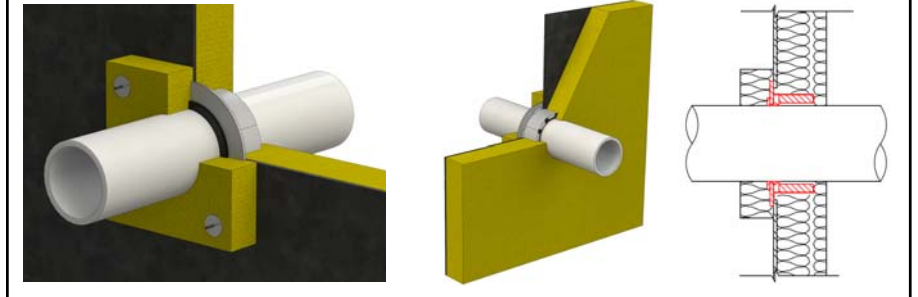
Exposed : MFC16W – MFC324W



Unexposed : MFC16W – MFC50W



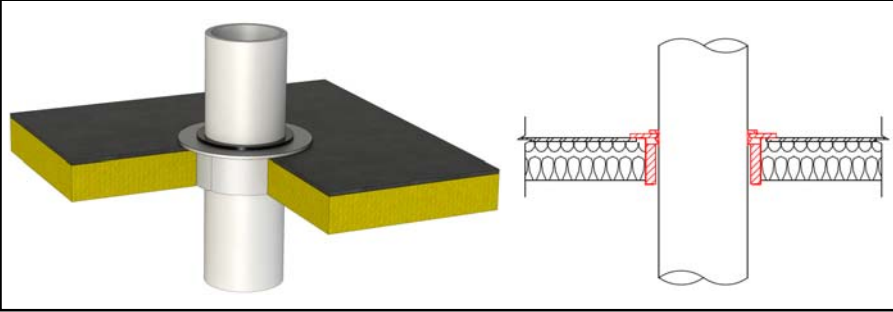
Unexposed : MFC60W – MFC115W



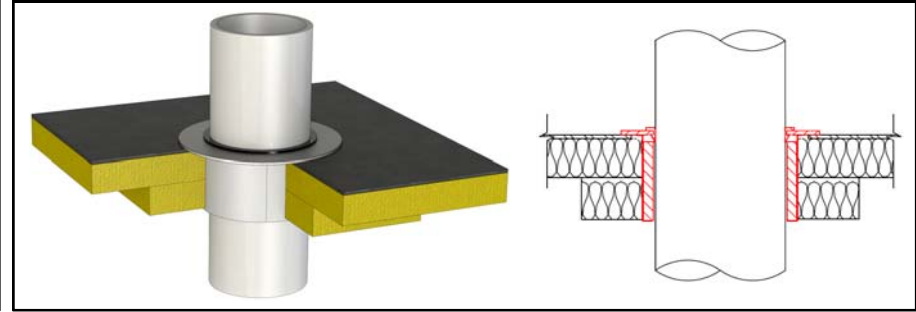


**MFC-W** Marine Watertight Firestop Collar / Collier marine coupe-feu étanche

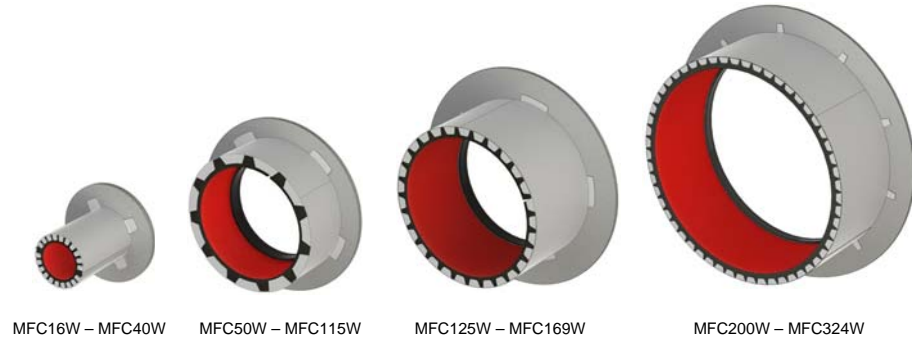
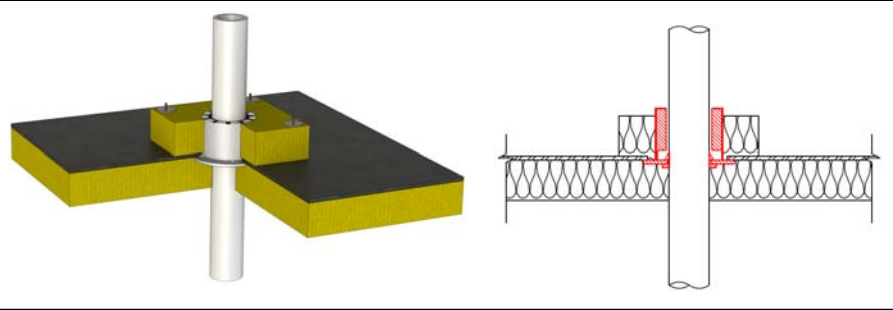
Exposed : MFC16 – MFC50



Exposed : MFC60 – MFC115



Unexposed : MFC16 – MFC324



MFC16W – MFC40W

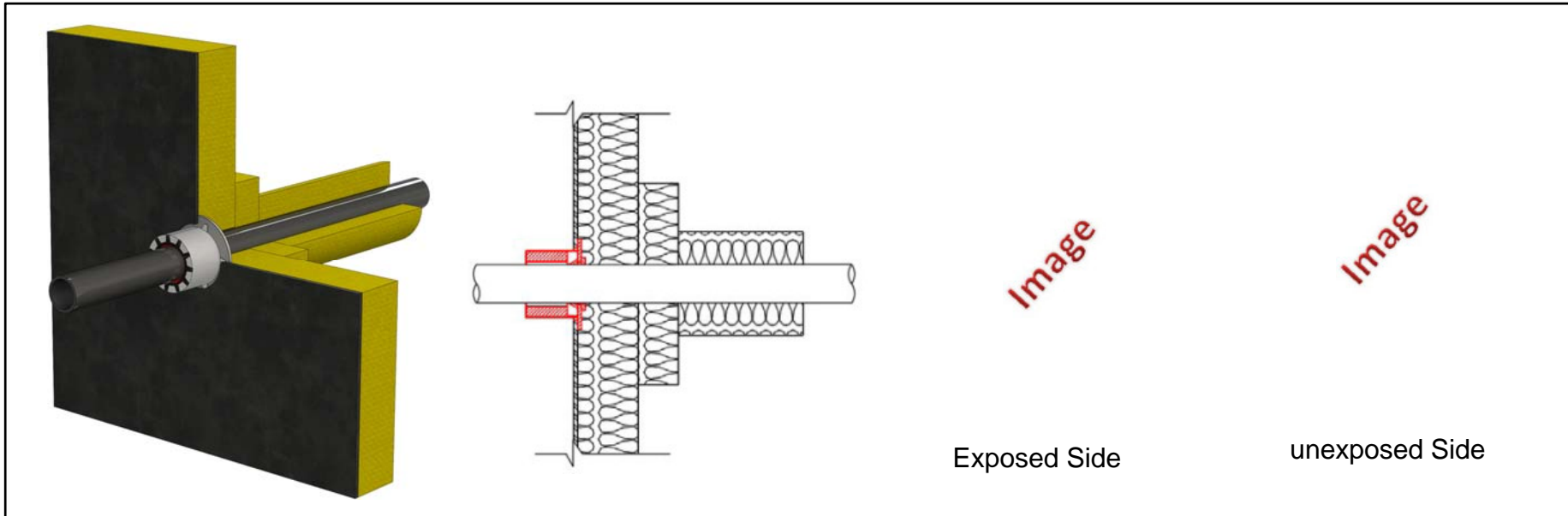
MFC50W – MFC115W

MFC125W – MFC169W

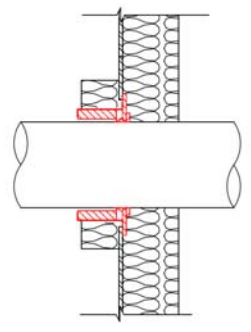
MFC200W – MFC324W

## Steel pipes / Tuyaux métalliques

**MFC-W** Marine Watertight Firestop Collar / Collier marine coupe-feu étanche



# Bulkhead



### Exposed side

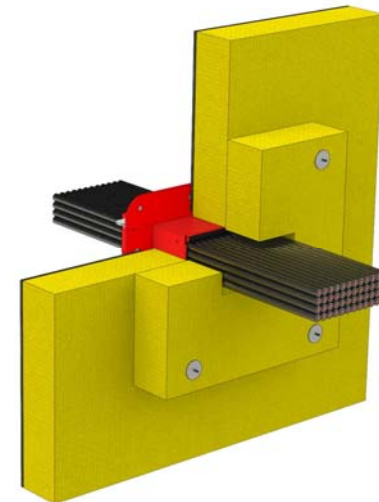
--	--	--

### Unexposed side

--	--	--

## MDM Marine Fire Rated Pathway

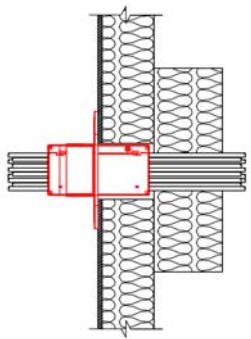
Cable raceway device consisting of heavy gauge steel shell with self-adjusting intumescent liners to allow cables to pass through fire-rated bulkheads and decks on cruise ships while providing a maintenance-free alternative to traditional cable transits in non-watertight divisions.



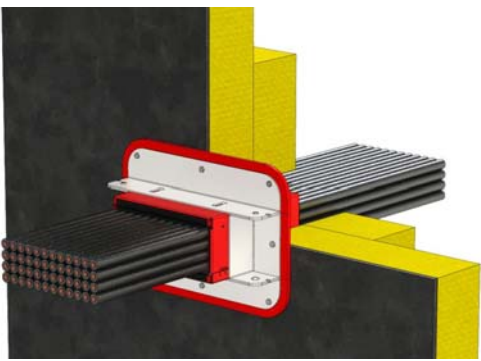


# Bulkhead

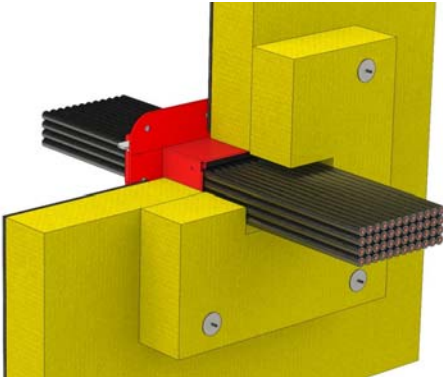
**MDM**  
MDM150A



## MDM150A : Exposed side



## MDM150A : Unexposed side

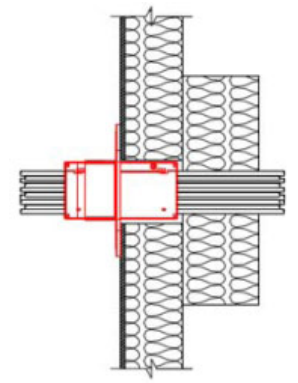
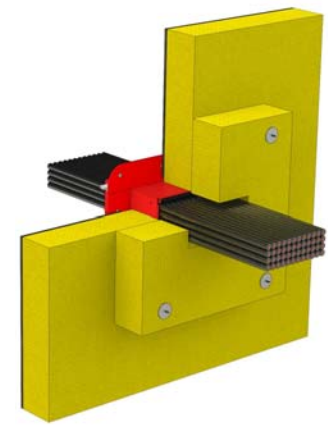
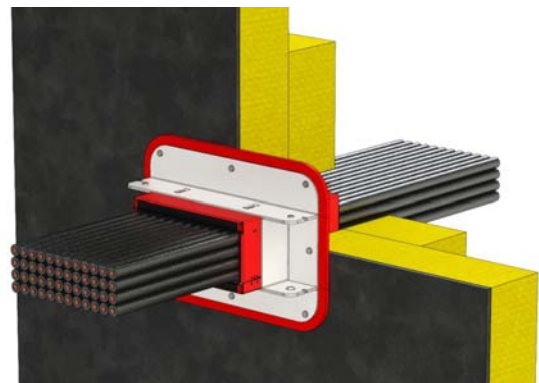


Bulkhead

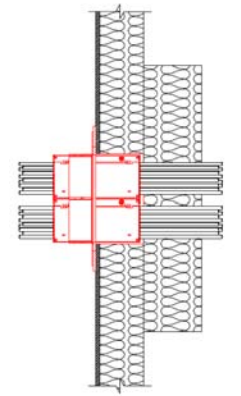
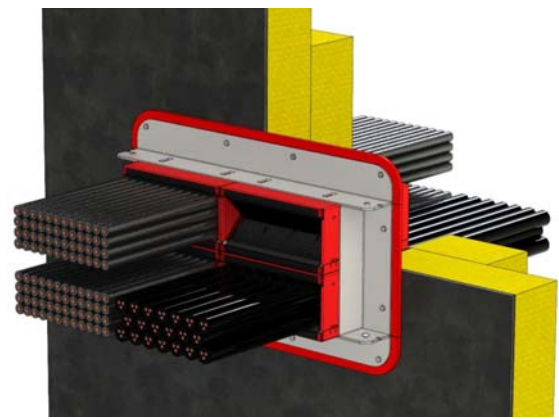
**MDM**



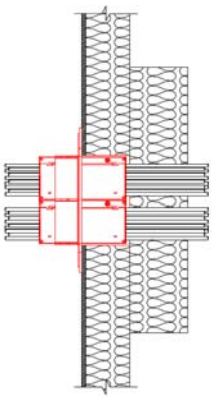
**MDM150A**



**MDM150B**



Bulkhead



**MDM150B : Exposed side**



**MDM150B : Unexposed side**





Bulkhead

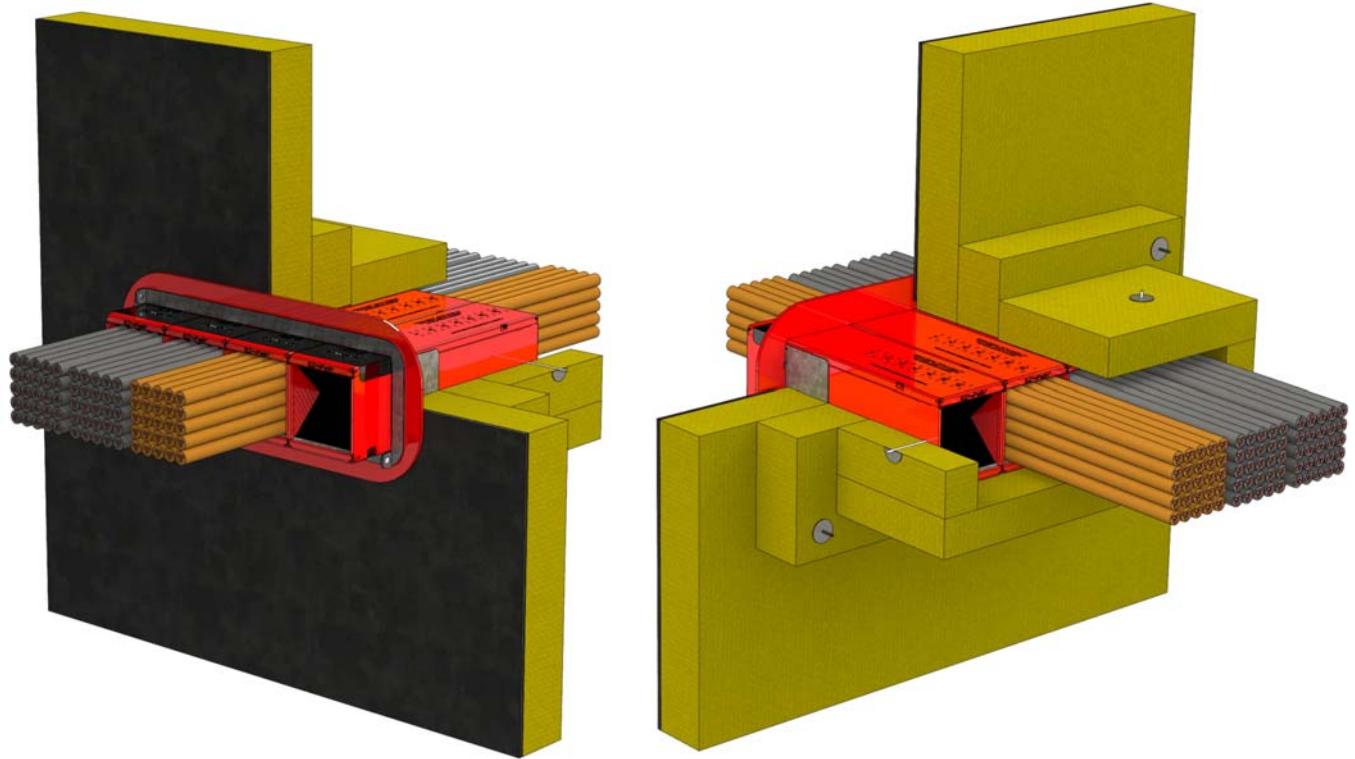
MDM



MDM300



MDM400





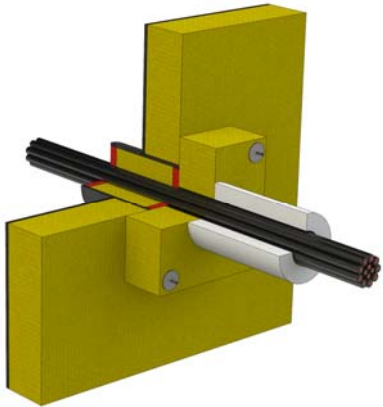


# MPU Marine Firestop Putty

Non-hardening, intumescent compound for use as a penetration seal for cables in fire-rated bulkheads and decks.

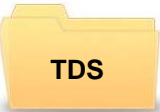
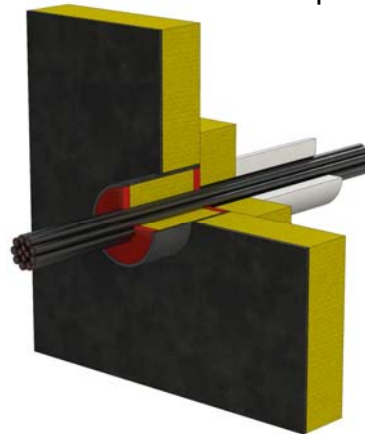
Image System

Unexposed Side



Image

Exposed Side



## Exposed side of a Bulkhead



**Before a fire test**



**After a fire test**

## Fire test : Bulkhead



**Unexposed side**

**Exposed side at the end of the test  
when removed from the framing**

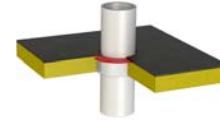
## Fire test : Bulkhead



**Unexposed side : Deflection during the test**



## Fire test : Deck



**Unexposed side**

**Exposed side at the end of the test when  
removed from the framing**